



MULTI VRF INDOOR UNIT SERVICE MANUAL

**T1/R410A/50Hz
(GC201110-I)**

CONTENTS

PRODUCT	2
1 MODELS LIST	2
1.1 Cassette Type	2
1.2 Duct Type	3
1.3 Wall Mounted Type	5
1.4 Floor Ceiling Type	6
1.5 Floor and Wall Mounted Type.....	7
1.6 Floor Standing Type	7
2 NOMENCLATURE	8
2.1 Nomenclature of Indoor Unit.....	8
3 PRODUCT DATA	9
3.1 Cassette Type	9
3.2 Duct Type	15
3.3 Wall Mounted Type	24
3.4 Floor Ceiling Type	31
3.5 Floor and Wall Mounted Type	35
3.6 Floor Standing Type	36
CONTROL	38
1 OPERATION FLOWCHART	38
1.1 Cooling Operation	39
1.2 Heating Operation	40
1.3 Fan Operation	41
1.4 Dry Operation	41
2 WIRELESS REMOTE CONTROLLER	42
2.1 Wireless Remote Controller Y512 (Standard).....	42
2.2 Wireless Remote Controller YB1FA (optional)	43
3 WIRED CONTROLLER	44
3.1 Wired Controller Z60351F,Z60151F,Z63351F,Z63151F	44
3.2 Wired Controller XK02	46
4 RECEIVER	50
INSTALLATION	52
1 KEY POINTS OF INSTALLATION	52
2 INSTALLATION OF INDOOR UNIT	53
2.1 Cassette Type	53
2.2 Duct Type	57
2.3 Wall Mounted Type	60
2.4 Floor Ceiling Type	62

2.5 Floor and Wall Mounted Type.....	65
2.6 Floor Standing Type.....	67
3 INSTALLATION OF ELECTRONIC EXPANSION VALVE	68
4 INSTALLATION OF DRAIN PIPE	70
4.1 Precautions When Doing the Piping Work	70
4.2 Installing the Drain Pipes	70
4.3 Precautions when doing riser piping work.....	71
4.4 Testing of Drain Piping	72
5 ELECTRICAL INSTALLATION	73
5.1 Precautions for Electrical Installation.....	73
5.2 DIP Switches.....	73
MAINTENANCE	78
1 TROUBLE SHOOTING	78
1.1 Error Display of Indoor Unit	78
1.2 Number of Indoor Unit	80
2 AFTER-SALES EMERGENCY MEASURES	81
3 WIRING DIAGRAM.....	81
3.1 Cassette Type	81
3.2 Duct Type	83
3.3 Wall Mounted Type	87
3.4 Floor Ceiling Type	89
3.5 Floor and Wall Mounted Type.....	91
3.6 Floor Standing Type	92
4 DISASSEMBLY AND ASSEMBLY PROCEDURE OF MAIN PARTS	92
4.1 Cassette Type	92
4.2 Duct Type	98
4.3 Wall Mounted Type.....	102
4.4 Floor Ceiling Type	103
4.5 Floor and Wall Mounted Type.....	107
4.6 Floor Standing Type.....	111
5 EXPLODED VIEWS AND PART LIST	112
5.1 Cassette Type	112
5.2 Duct Type	129
5.3 Wall Mounted Type.....	150
5.4 Floor Ceiling Type	168
5.5 Floor and Wall Mounted Type.....	181
5.6 Floor Standing Type.....	183



PRODUCT

PRODUCT


1 MODELS LIST

1.1 Cassette Type

1.1.1 Four-way Cassette Type

Model Name	Product Code	Capacity		Power Supply	Appearance
		Cooling (kW)	Heating (kW)		
GMV-R28T/Na-K	EM503N0091	2.8	3.2	220-240V 1Ph~50Hz	
GMVL-R28T/Na-K	EM503N0101		/		
GMV-R36T/Na-K	EM501N0151	3.6	4.0		
GMVL-R36T/Na-K	EM501N0161		/		
GMV-R45T/Na-K	EM503N0081	4.5	5.0		
GMVL-R45T/Na-K	EM503N0111		/		
GMV-R50T/Na-K	EM501N0171	5.0	5.8		
GMVL-R50T/Na-K	EM501N0181		/		
GMV-R56T/Na-K	EM503N0121	5.6	6.3		
GMVL-R56T/Na-K	EM503N0131		/		
GMV-R63T/Na-K	CM501N0011	6.3	7.0		
GMVL-R63T/Na-K	CM501N0021		/		
GMV-R71T/Na-K	EM501N0131	7.1	8.0		
GMVL-R71T/Na-K	EM501N0141		/		
GMV-R80T/Na-K	CM501N0031	8.0	8.8		
GMVL-R80T/Na-K	CM501N0041		/		
GMV-R90T/Na-K	EM501N0091	9.0	10.0		
GMVL-R90T/Na-K	EM501N0101		/		
GMV-R100T/Na-K	CM501N0051	10.0	11.0		
GMVL-R100T/Na-K	CM501N0061		/		
GMV-R112T/Na-K	EM501N0111	11.2	12.5		
GMVL-R112T/Na-K	EM501N0121		/		
GMV-R125T/Na-K	CM501N0071	12.5	13.5		
GMVL-R125T/Na-K	CM501N0081		/		
GMV-R140T/Na-K	CM501N0091	14.0	14.5		
GMVL-R140T/Na-K	CM501N0101		/		
GMV-R22T/NaA-K	CM500N0100	2.2	2.5		
GMVL-R22T/NaA-K	CM500N0140		/		
GMV-R28T/NaA-K	CM500N0110	2.8	3.2		
GMVL-R28T/NaA-K	CM500N0150		/		
GMV-R36T/NaA-K	CM500N0120	3.6	4.0		
GMVL-R36T/NaA-K	CM500N0160		/		
GMV-R45T/NaA-K	CM500N0130	4.5	5.0		
GMVL-R45T/NaA-K	CM500N0170		/		

1.1.2 One-way Cassette Type

Model Name	Product Code	Capacity		Power Supply	Appearance
		Cooling (kW)	Heating (kW)		
GMV-R22Td/Na-K	CM502N0010	2.2	2.5	220-240V 1Ph~50Hz	
GMVL-R22Td/Na-K	CM502N0020		/		
GMV-R28Td/Na-K	CM502N0030	2.8	3.2		
GMVL-R28Td/Na-K	CM502N0040		/		
GMV-R36Td/Na-K	CM502N0050	3.6	4.0		
GMVL-R36Td/Na-K	CM502N0060		/		

1.2 Duct Type





1.2.1 B-Series Duct Type

Model Name	Product Code	Capacity		Power Supply	Appearance
		Cooling (kW)	Heating (kW)		
GMV-R22P/NaB-K	CM800N0370	2.2	2.5	220-240V 1Ph~50Hz	
GMVL-R22P/NaB-K	CM800N0920		/		
GMV-R28P/NaB-K	CM800N0390	2.8	3.2		
GMVL-R28P/NaB-K	CM800N0930		/		
GMV-R36P/NaB-K	CM800N0410	3.6	4.0		
GMVL-R36P/NaB-K	CM800N0940		/		
GMV-R45P/NaB-K	CM800N0430	4.5	5.0		
GMVL-R45P/NaB-K	CM800N0950		/		
GMV-R56P/NaB-K	CM800N0480	5.6	6.3		
GMVL-R56P/NaB-K	CM800N0530		/		
GMV-R71P/NaB-K	CM800N0490	7.1	8.0		
GMVL-R71P/NaB-K	CM800N0540		/		
GMV-R90P/NaB-K	CM800N0500	9.0	10.0		
GMVL-R90P/NaB-K	CM800N0550		/		
GMV-R112P/NaB-K	CM800N0510	11.2	12.5		
GMVL-R112P/NaB-K	CM800N0560		/		
GMV-R140P/NaB-K	CM800N0520	14.0	15.0		
GMVL-R140P/NaB-K	CM800N0570		/		
GMV-R22PS/NaB-K	CM800N2000	2.2	2.5		
GMVL-R22PS/NaB-K	CM800N2030		/		
GMV-R28PS/NaB-K	CM800N2010	2.8	3.2		
GMVL-R28PS/NaB-K	CM800N2040		/		
GMV-R36PS/NaB-K	CM800N2020	3.6	4.0		
GMVL-R36PS/NaB-K	CM800N2050		/		
GMV-R45PS/NaB-K	CM800N2060	4.5	5.0		
GMVL-R45PS/NaB-K	CM800N2120		/		
GMV-R56PS/NaB-K	CM800N2070	5.6	6.3		
GMVL-R56PS/NaB-K	CM800N2130		/		
GMV-R71PS/NaB-K	CM800N2080	7.1	8.0		
GMVL-R71PS/NaB-K	CM800N2140		/		
GMV-R90PS/NaB-K	CM800N2090	9.0	10.0		
GMVL-R90PS/NaB-K	CM800N2150		/		
GMV-R112PS/NaB-K	CM800N2100	11.2	12.5		
GMVL-R112PS/NaB-K	CM800N2160		/		
GMV-R140PS/NaB-K	CM800N2110	14.0	15.0		
GMVL-R140PS/NaB-K	CM800N2170		/		
GMV-R224P/NaB-M	CM800N2200	22.4	25.0	380-415V 3Ph~50Hz	
GMV-R280P/NaB-M	CM800N2220	28.0	31.0		

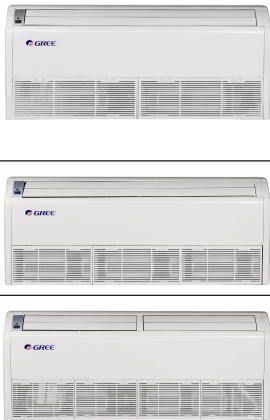
1.2.2 E-Series Duct Type

Model Name	Product Code	Capacity		Power Supply	Appearance
		Cooling (kW)	Heating (kW)		
GMV-R22PS/NaE-K	CM800N3010	2.2	2.5	220-240V 1Ph~50Hz	
GMVL-R22PS/NaE-K	CM800N3060	2.2	/		
GMV-R28PS/NaE-K	CM800N3020	2.8	3.2		
GMVL-R28PS/NaE-K	CM800N3070	2.8	/		
GMV-R36PS/NaE-K	CM800N3030	3.6	4.0		
GMVL-R36PS/NaE-K	CM800N3080	3.6	/		
GMV-R45PS/NaE-K	CM800N3040	4.5	5.0		
GMVL-R45PS/NaE-K	CM800N3090	4.5	/		
GMV-R56PS/NaE-K	CM800N3050	5.6	6.3		
GMVL-R56PS/NaE-K	CM800N3100	5.6	/		
GMV-R71PS/NaE-K	CM800N3000	7.1	8.0		
GMVL-R71PS/NaE-K	CM800N3110	7.1	/		


1.3 Wall Mounted Type

Model	Product Code	Capacity		Power Supply	Appearance	
		Cooling (kW)	Heating (kW)			
GMV-R22G/NaB-K	EM100N0070	2.2	2.5	220-240V 1Ph~50Hz		
GMVL-R22G/NaB-K	EM100N0080		/			
GMV-R28G/NaB-K	EM100N0090	2.8	3.2			
GMVL-R28G/NaB-K	EM100N0100		/			
GMV-R36G/NaB-K	EM100N0110	3.6	4.0			
GMVL-R36G/NaB-K	EM100N0120		/			
GMV-R45G/NaB-K	EM100N0130	4.5	5			
GMVL-R45G/NaB-K	EM100N0140		/			
GMV-R50G/NaB-K	CM100N0020	5.0	5.8			
GMVL-R50G/NaB-K	CM100N0040		/			
GMV-R56G/NaB-K	CM100N0010	5.6	6.3			
GMVL-R56G/NaB-K	CM100N0050		/			
GMV-R22G/NaC-K	EM100N0270	2.2	2.5			
GMVL-R22G/NaC-K	EM100N0280		/			
GMV-R28G/NaC-K	EM100N0290	2.8	3.2			
GMVL-R28G/NaC-K	EM100N0300		/			
GMV-R36G/NaC-K	EM100N0310	3.6	4.0			
GMVL-R36G/NaC-K	EM100N0320		/			
GMV-R45G/NaC-K	EM100N0330	4.5	5.0			
GMVL-R45G/NaC-K	EM100N0340		/			
GMV-R71G/Na-K	CM100N0030	7.1	8.0			
GMVL-R71G/Na-K	CM100N0060		/			
GMV-R80G/Na-K	CM100N0080	8.0	9.0			
GMVL-R80G/Na-K	CM100N0070		/			
GMV-R22G/NaG-K	CM100N0220	2.2	2.5			
GMVL-R22G/NaG-K	CM100N0380		/			
GMV-R28G/NaG-K	CM100N0240	2.8	3.2			
GMVL-R28G/NaG-K	CM100N0400		/			
GMV-R36G/NaG-K	CM100N0270	3.6	4.0			
GMVL-R36G/NaG-K	CM100N0420		/			
GMV-R45G/NaG-K	CM100N0280	4.5	5.0			
GMVL-R45G/NaG-K	CM100N0440		/			
GMV-R50G/NaG-K	CM100N0260	5.0	5.8			
GMVL-R50G/NaG-K	CM100N0460		/			
GMV-R56G/NaG-K	CM100N0330	5.6	6.3			
GMVL-R56G/NaG-K	CM100N0480		/			
GMV-R63G/NaG-K	CM100N0340	6.3	7.0			
GMVL-R63G/NaG-K	CM100N0500		/			
GMV-R71G/NaG-K	CM100N0320	7.1	8.0			
GMVL-R71G/NaG-K	CM100N0520		/			


1.4 Floor Ceiling Type

Model	Product Code	Capacity		Power Supply	Appearance
		Cooling (kW)	Heating (kW)		
GMV-R28Zd/NaB-K	CM600N0170	2.8	3.2	220-240V 1Ph~50Hz	
GMV-R36Zd/NaB-K	CM600N0180	3.6	4.0		
GMV-R50Zd/NaB-K	CM600N0190	5.0	5.8		
GMV-R71Zd/NaB-K	CM600N0200	7.1	8.0		
GMV-R90Zd/NaB-K	CM600N0210	9.0	10.0		
GMV-R112Zd/NaB-K	CM600N0220	11.2	12.5		
GMV-R125Zd/NaB-K	CM600N0160	12.5	13.5		
GMV-R140Zd/NaB-K	CM600N0310	14.0	15.0		
GMV-R28Zd/Na-K	EM600N0060	2.8	3.2		
GMVL-R28Zd/Na-K	ED020N0410		/		
GMV-R36Zd/Na-K	EM600N0070	3.6	4.0		
GMVL-R36Zd/Na-K	EM600N0090		/		
GMV-R50Zd/Na-K	EM600N0010	5.0	5.8		
GMVL-R50Zd/Na-K	EM600N0100		/		
GMV-R71Zd/Na-K	EM600N0030	7.1	8.0		
GMVL-R71Zd/Na-K	EM600N0110		/		
GMV-R90Zd/Na-K	EM600N0040	9.0	10.0		
GMVL-R90Zd/Na-K	EM600N0120		/		
GMV-R112Zd/Na-K	EM600N0050	11.2	12.5		
GMVL-R112Zd/Na-K	EM600N0130		/		
GMV-R125Zd/Na-K	EM600N0020	12.5	13.5		
GMVL-R125Zd/Na-K	EM600N0140		/		

1.5 Floor and Wall Mounted Type

Model	Product Code	Capacity		Power Supply	Appearance
		Cooling (kW)	Heating (kW)		
GMV-R28C/Na-K	CM400N0010	2.8	3.2	220-240V 1Ph~50Hz	
GMV-R36C/Na-K	CM400N0020	3.6	4.0		
GMV-R50C/Na-K	CM400N0060	5.0	5.5		

1.6 Floor Standing Type

Model	Product Code	Capacity		Power Supply	Appearance
		Cooling (kW)	Heating (kW)		
GMV-R71L/Na-K	CM300N0010	7.0	8.0	220-240V 1Ph~50Hz	
GMV-R100L/Na-K	CM300N0020	10.0	11.0		
GMV-R140L/Na-K	CM300N0030	14.0	15.0		

2 NOMENCLATURE

2.1 Nomenclature of Indoor Unit

$$\frac{\text{GMV}}{1} \frac{\square}{2} \frac{\square}{3} - \frac{\text{R}}{4} \frac{28}{5} \frac{\square}{6} / \frac{\text{Na}}{7} \frac{\square}{8} - \frac{\text{K}}{9}$$

No	Description	Options
1	GMV	GREE Multi Variable
2	Weather Condition	Default: T1 T2 T3
3	Model Code	L: Cooling Only Default: Heat Pump
4	Units Series	R: R Series
5	Nominal Cooling Capacity	Cooling Capacity=Number×100 (W)
6	Indoor Unit	T: Four-way Cassette Type Td: One-way Cassette Type P: Duct Type Zd: Floor Ceiling Type G: Wall Mounted Type C: Floor and Wall Mounted Type L: Floor Standing Type
7	Refrigerant:	Na: R410A
8	Design Sequence.	In the Capital Alphabetic Order
9	Power Supply	M: 380-415V~3Ph~50Hz K: 220-240V~1Ph~50Hz D: 208-230V~1Ph~60Hz

3 PRODUCT DATA

3.1 Cassette Type

3.1.1 Four-way Cassette Type

Model			GMV-R28T/Na-K	GMV-R36T/Na-K	GMV-R45T/Na-K
Product Code			EM503N0091	EM501N0151	EM503N0081
Model			GMVL-R28T/Na-K	GMVL-R36T/Na-K	GMVL-R45T/Na-K
Product Code			EM503N0101	EM501N0161	EM503N0111
Cooling Capacity	kW		2.80	3.60	4.50
	kBtu/h		9.55	12.28	15.35
Heating Capacity	kW		3.20	4.00	5.00
	kBtu/h		10.92	13.65	17.06
Air Flow Rate	m ³ /h		680	680	680
	CFM		400	400	400
ESP(standard/max./range)	Pa		0	0	0
Sound Pressure Level (H/M/L)	dB(A)		37 /35 /33	37 /35 /33	37 /35 /33
Power Supply	V/Hz/Ph		220-240/50/1	220-240/50/1	220-240/50/1
Fan Motor	Output	kW	0.035	0.035	0.035
	Running Current	A	0.28	0.28	0.28
Connecting Pipes	Gas Pipe	mm	Φ9.52	Φ12.7	Φ12.7
		inch	Φ3/8	Φ1/2	Φ1/2
	Liquid Pipe	mm	Φ6.35	Φ6.35	Φ6.35
		inch	Φ1/4	Φ1/4	Φ1/4
	Connection Method			Flare Connection	Flare Connection
Drain Pipes (External Dia.×Thickness)	mm		30×1.5	30×1.5	30×1.5
Unit Dimensions (W×D×H)	mm		840 ×840 ×190	840 ×840 ×190	840 ×840 ×190
Package Dimensions (W×D×H)	mm		960 ×960 ×257	960 ×960 ×257	960 ×960 ×257
Net Weight	kg		25.0	25.0	25.0
Gross Weight	kg		33.0	33.0	33.0
Loading Quantity (20' Container)	unit		74	74	74
Loading Quantity (40' Container)	unit		167	167	167
Loading Quantity (40' High Cube Container)	unit		171	171	171

Model		GMV-R50T/Na-K	GMV-R56T/Na-K	GMV-R63T/Na-K
Product Code		EM501N0171	EM503N0121	CM501N0011
Model		GMVL-R50T/Na-K	GMVL-R56T/Na-K	GMVL-R63T/Na-K
Product Code		EM501N0181	EM503N0131	CM501N0021
Cooling Capacity	kW	5.00	5.60	6.30
	kBtu/h	17.06	19.11	21.50
Heating Capacity	kW	5.80	6.30	7.00
	kBtu/h	19.79	21.50	24.88
Air Flow Rate	m ³ /h	680	1180	1180
	CFM	400	694	694
ESP(standard/max./range)	Pa	0	0	0
Sound Pressure Level (H/M/L)	dB(A)	37 /35 /33	39 /37 /35	39 /37 /35
Power Supply	V/Hz/Ph	220-240/50/1	220-240/50/1	220-240/50/1
Fan Motor	Output	kW	0.035	0.035
	Running Current	A	0.28	0.38
Connecting Pipes	Gas Pipe	mm	Φ12.7	Φ15.9
		inch	Φ1/2	Φ5/8
	Liquid Pipe	mm	Φ6.35	Φ9.52
		inch	Φ1/4	Φ3/8
Connection Method		Flare Connection	Flare Connection	Flare Connection
Drain Pipes (External Dia.×Thickness)	mm	30×1.5	30×1.5	30×1.5
Unit Dimensions (W×D×H)	mm	840 × 840 ×190	840 × 840 × 240	840 × 840 × 240
Package Dimensions (W×D×H)	mm	960 × 960 ×257	960 × 960 × 310	960 × 960 × 310
Net Weight	kg	25.0	30.0	30.0
Gross Weight	kg	33.0	38.0	38.0
Loading Quantity (20' Container)	unit	74	60	60
Loading Quantity (40' Container)	unit	167	140	140
Loading Quantity (40' High Cube Container)	unit	171	156	156

Model		GMV-R71T/Na-K	GMV-R80T/Na-K	GMV-R90T/Na-K	GMV-R100T/Na-K	
Product Code		EM501N0131	CM501N0031	EM501N0091	CM501N0051	
Model		GMVL-R71T/Na-K	GMVL-R80T/Na-K	GMVL-R90T/Na-K	GMVL-R100T/Na-K	
Product Code		EM501N0141	CM501N0041	EM501N0101	CM501N0061	
Cooling Capacity	kW	7.10	8.00	9.00	10.00	
	kBtu/h	24.23	27.30	30.71	34.12	
Heating Capacity	kW	8.00	8.80	10.00	11.00	
	kBtu/h	27.30	30.03	34.12	37.53	
Air Flow Rate	m ³ /h	1180	1180	1860	1860	
	CFM	694	694	1095	1095	
ESP(standard/max./range)	Pa	0	0	0	0	
Sound Pressure Level (H/M/L)	dB(A)	39 /37 /35	39 /37 /35	40 /38 /36	40 /38 /36	
Power Supply	V/Hz/Ph	220-240/50/1	220-240/50/1	220-240/50/1	220-240/50/1	
Fan Motor	Output	kW	0.035	0.035	0.060	0.060
	Running Current	A	0.38	0.38	0.60	0.60
Connecting Pipes	Gas Pipe	mm	Φ15.9	Φ15.9	Φ15.9	Φ15.9
		inch	Φ5/8	Φ5/8	Φ5/8	Φ5/8
	Liquid Pipe	mm	Φ9.52	Φ9.52	Φ9.52	Φ9.52
		inch	Φ3/8	Φ3/8	Φ3/8	Φ3/8
Connection Method		Flare Connection	Flare Connection	Flare Connection	Flare Connection	
Drain Pipes (External Dia.×Thickness)	mm	30×1.5	30×1.5	30×1.5	30×1.5	
Unit Dimensions (W×D×H)	mm	840 ×840 ×240	840 ×840 ×240	840 ×840 ×320	840 ×840 ×320	
Package Dimensions (W×D×H)	mm	960 ×960 ×310	960 ×960 ×310	960 ×960 ×394	960 ×960 ×394	
Net Weight	kg	30.0	30.0	38.0	38.0	
Gross Weight	kg	38.0	38.0	46.0	46.0	
Loading Quantity (20' Container)	unit	60	60	52	52	
Loading Quantity (40' Container)	unit	140	140	104	104	
Loading Quantity (40' High Cube Container)	unit	156	156	119	119	

Model		GMV-R112T/Na-K	GMV-R125T/Na-K	GMV-R140T/Na-K
Product Code		EM501N0111	CM501N0071	CM501N0091
Model		GMVL-R112T/Na-K	GMVL-R125T/Na-K	GMVL-R140T/Na-K
Product Code		EM501N0121	CM501N0081	CM501N0101
Cooling Capacity	kW	11.20	12.50	14.00
	kBtu/h	38.21	42.65	47.77
Heating Capacity	kW	12.50	13.50	14.50
	kBtu/h	42.65	46.06	49.47
Air Flow Rate	m ³ /h	1860	1860	1860
	CFM	1095	1095	1095
ESP(standard/max./range)	Pa	0	0	0
Sound Pressure Level (H/M/L)	dB(A)	40 /38 /36	40 /38 /36	40 /38 /36
Power Supply	V/Hz/Ph	220-240/50/1	220-240/50/1	220-240/50/1
Fan Motor	Output	kW	0.060	0.060
	Running Current	A	0.60	0.60
Connecting Pipes	Gas Pipe	mm	Φ15.9	Φ15.9
		inch	Φ5/8	Φ5/8
	Liquid Pipe	mm	Φ9.52	Φ9.52
		inch	Φ3/8	Φ3/8
	Connection Method		Flare Connection	Flare Connection
Drain Pipes (External Dia.×Thickness)	mm	30×1.5	30×1.5	30×1.5
Unit Dimensions (W×D×H)	mm	840 ×840 ×320	840 ×840 ×320	840 ×840 ×320
Package Dimensions (W×D×H)	mm	960 ×960 ×394	960 ×960 ×394	960 ×960 ×394
Net Weight	kg	38.0	38.0	38.0
Gross Weight	kg	46.0	46.0	46.0
Loading Quantity (20' Container)	unit	52	52	52
Loading Quantity (40' Container)	unit	104	104	104
Loading Quantity (40' High Cube Container)	unit	119	119	119

Model		GMV-R22T/NaA-K	GMV-R28T/NaA-K	GMV-R36T/NaA-K	GMV-R45T/NaA-K
Product Code		CM500N0100	CM500N0110	CM500N0120	CM500N0130
Model		GMVL-R22T/NaA-K	GMVL-R28T/NaA-K	GMVL-R36T/NaA-K	GMVL-R45T/NaA-K
Product Code		CM500N0140	CM500N0150	CM500N0160	CM500N0170
Cooling Capacity	kW	2.20	2.80	3.60	4.50
	kBtu/h	7.51	9.55	12.28	15.35
Heating Capacity	kW	2.50	3.20	4.00	5.00
	kBtu/h	8.53	10.92	13.65	17.06
Air Flow Rate	m ³ /h	600	600	600	600
	CFM	353	353	353	353
ESP(standard/max./range)	Pa	0	0	0	0
Sound Pressure Level (H/L)	dB(A)	47 /41	47 /41	47 /41	47 /41
Power Supply	V/Hz/Ph	220-240/50/1	220-240/50/1	220-240/50/1	220-240/50/1
Fan Motor	Output	kW	0.011	0.011	0.011
	Running Current	A	0.05	0.05	0.05
Connecting Pipes	Gas Pipe	mm	Φ9.52	Φ9.52	Φ12.7
		inch	Φ3/8	Φ3/8	Φ1/2
	Liquid Pipe	mm	Φ6.35	Φ6.35	Φ6.35
		inch	Φ1/4	Φ1/4	Φ1/4
Connection Method		Flare Connection	Flare Connection	Flare Connection	Flare Connection
Drain Pipes (External Dia.×Thickness)	mm	30×1.5	30×1.5	30×1.5	30×1.5
Unit Dimensions (W×D×H)	mm	570 ×570 ×230	570 ×570 ×230	570 ×570 ×230	570 ×570 ×230
Package Dimensions (W×D×H)	mm	848 ×728 ×310	848 ×728 ×310	848 ×728 ×310	848 ×728 ×310
Net Weight	kg	20.0	20.0	20.0	20.0
Gross Weight	kg	27.0	27.0	27.0	27.0
Loading Quantity (20' Container)	unit	115	115	115	115
Loading Quantity (40' Container)	unit	237	237	237	237
Loading Quantity (40' High Cube Container)	unit	269	269	269	269

Notes:

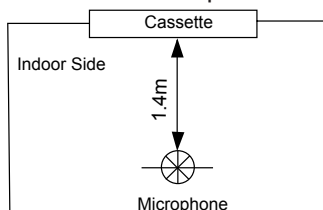
- ① . The above performance parameter is measured according to the standard of GB/T 18837-2002.
- ② . Always see the nameplate for the specified parameters.
- ③ . The model with GMVL code is cooling only unit; while the model with GMV code is heat pump unit; the cooling only units dose not have any parameters of performing heating.
- ④ . Above parameters are tested under the condition:high fan speed

Cooling : Indoor air temperature 27°C DB/19°C WB;

Heating : Indoor air temperature 20°C DB/15°C WB.

- ⑤ . The noise test is conducted in the semi-anechoic or anechoic chamber, and the floor of the former is a reflecting surface.

Location of microphone:



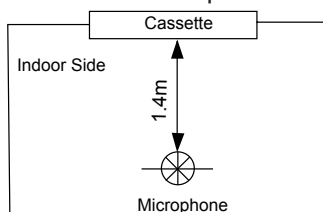
3.1.2 One-way Cassette Type

Model		GMV-R22Td/Na-K	GMV-R28Td/Na-K	GMV-R36Td/Na-K
Product Code		CM502N0010	CM502N0030	CM502N0050
Model		GMVL-R22Td/Na-K	GMVL-R28Td/Na-K	GMVL-R36Td/Na-K
Product Code		CM502N0020	CM502N0040	CM502N0060
Cooling Capacity	kW	2.20	2.80	3.60
	kBtu/h	7.51	9.55	12.28
Heating Capacity	kW	2.50	3.20	4.00
	kBtu/h	8.53	10.92	13.65
Air Flow Rate	m ³ /h	450	500	500
	CFM	265	294	294
ESP(standard/max./range)	Pa	0	0	0
Sound Pressure Level (H/M/L)	dB(A)	45 /43 /41	45 /43 /41	45 /43 /41
Power Supply	V/Hz/Ph	220-240/50/1	220-240/50/1	220-240/50/1
Fan Motor	Output	kW	0.02	0.02
	Running Current	A	0.19	0.19
Connecting Pipes	Gas Pipe	mm	Φ9.52	Φ9.52
		inch	Φ3/8	Φ3/8
	Liquid Pipe	mm	Φ6.35	Φ6.35
		inch	Φ1/4	Φ1/4
Connection Method			Flare Connection	Flare Connection
Drain Pipes (External Dia.×Thickness)	mm	30×1.5	30×1.5	30×1.5
Unit Dimensions (W×D×H)	mm	920 ×360 ×185	920 ×360 ×185	920 ×360 ×185
Package Dimensions (W×D×H)	mm	1290 ×465 ×270	1290 ×465 ×270	1290 ×465 ×270
Net Weight	kg	16.0	16.0	16.0
Gross Weight	kg	25.0	25.0	25.0
Loading Quantity (20' Container)	unit	101	101	101
Loading Quantity (40' Container)	unit	216	216	216
Loading Quantity (40' High Cube Container)	unit	251	251	251

Notes:

- ① . The above performance parameter is measured according to the standard of GB/T 18837-2002.
- ② . Always see the nameplate for the specified parameters.
- ③ . The model with GMVL code is cooling only unit; while the model with GMV code is heat pump unit; the cooling only units dose not have any parameters of performing heating.
- ④ . Above parameters are tested under the condition:high fan speed
Cooling : Indoor air temperature 27°C DB/19°C WB;
Heating : Indoor air temperature 20°C DB/15°C WB.
- ⑤ . The noise test is conducted in the semi-anechoic or anechoic chamber, and the floor of the former is a reflecting surface.

Location of microphone:



3.2 Duct Type

3.2.1 B-Series Duct Type

Model			GMV-R22P/NaB-K	GMV-R28P/NaB-K	GMV-R36P/NaB-K
Product Code			CM800N0370	CM800N0390	CM800N0410
Model			GMVL-R22P/NaB-K	GMVL-R28P/NaB-K	GMVL-R36P/NaB-K
Product Code			CM800N0920	CM800N0930	CM800N0940
Cooling Capacity	kW		2.20	2.80	3.60
	kBtu/h		7.50	9.55	12.28
Heating Capacity	kW		2.50	3.20	4.00
	kBtu/h		8.53	10.92	13.65
Air Flow Rate	m ³ /h		450	570	570
	CFM		265	335	335
ESP(standard/max./range)	Pa		20/50	20/50	20/50
Sound Pressure Level (H/M/L)	dB(A)		37 /35 /33	39 /37 /35	39 /37 /35
Power Supply	V/Hz/Ph		220-240/50/1	220-240/50/1	220-240/50/1
Fan Motor	Output	kW	0.04	0.06	0.06
	Running Current	A	0.34	0.36	0.36
Connecting Pipes	Gas Pipe	mm	Φ9.52	Φ9.52	Φ12.7
		inch	Φ3/8	Φ3/8	Φ1/2
	Liquid Pipe	mm	Φ6.35	Φ6.35	Φ6.35
		inch	Φ1/4	Φ1/4	Φ1/4
Connection Method			Flare Connection	Flare Connection	Flare Connection
Drain Pipes (External Dia.×Thickness)	mm		Φ20×1.5	Φ20×1.5	Φ20×1.5
Unit Dimensions (W×D×H)	mm		880 ×665 ×250	880 ×665 ×250	880 ×665 ×250
Package Dimensions (W×D×H)	mm		1023 ×748 ×320	1023 ×748 ×320	1023 ×748 ×320
Net Weight	kg		27.0	28.5	28.5
Gross Weight	kg		31.0	33.5	33.5
Loading Quantity (20' Container)	unit		90	90	90
Loading Quantity (40' Container)	unit		198	198	198
Loading Quantity (40' High Cube Container)	unit		198	198	198

Model			GMV-R45P/NaB-K	GMV-R56P/NaB-K	GMV-R71P/NaB-K
Product Code			CM800N0430	CM800N0480	CM800N0490
Model			GMVL-R45P/NaB-K	GMVL-R56P/NaB-K	GMVL-R71P/NaB-K
Product Code			CM800N0950	CM800N0530	CM800N0540
Cooling Capacity	kW		4.50	5.60	7.10
	kBtu/h		15.35	19.10	24.23
Heating Capacity	kW		5.00	6.30	8.00
	kBtu/h		17.06	21.50	27.30
Air Flow Rate	m ³ /h		700	1000	1100
	CFM		412	589	647
ESP(standard/max./range)	Pa		20/50	30/60	30/60
Sound Pressure Level (H/M/L)	dB(A)		40 /38 /36	44 /42 /40	45 /43 /41
Power Supply	V/Hz/Ph		220-240/50/1	220-240/50/1	220-240/50/1
Fan Motor	Output	kW	0.07	0.15	0.15
	Running Current	A	0.64	1.09	1.09
Connecting Pipes	Gas Pipe	mm	Φ12.7	Φ15.9	Φ15.9
		inch	Φ1/2	Φ5/8	Φ5/8
	Liquid Pipe	mm	Φ6.35	Φ9.52	Φ9.52
		inch	Φ1/4	Φ3/8	Φ3/8
	Connection Method			Flare Connection	Flare Connection
Drain Pipes (External Dia.×Thickness)	mm		Φ30×1.5	Φ30×1.5	Φ30×1.5
Unit Dimensions (W×D×H)	mm		980 ×721 ×266	1155 ×736 ×300	1155 ×736 ×300
Package Dimensions (W×D×H)	mm		1123 ×798 ×323	1248 ×788 ×375	1248 ×788 ×375
Net Weight	kg		34.0	49.0	49.0
Gross Weight	kg		37.0	56.0	56.0
Loading Quantity (20' Container)	unit		84	48	48
Loading Quantity (40' Container)	unit		180	108	108
Loading Quantity (40' High Cube Container)	unit		180	108	108

Model		GMV-R90P/NaB-K	GMV-R112P/NaB-K	GMV-R140P/NaB-K	
Product Code		CM800N0500	CM800N0510	CM800N0520	
Model		GMVL-R90P/NaB-K	GMVL-R112P/NaB-K	GMVL-R140P/NaB-K	
Product Code		CM800N0550	CM800N0560	CM800N0570	
Cooling Capacity	kW	9.00	11.20	14.00	
	kBtu/h	30.71	38.21	47.77	
Heating Capacity	kW	10.00	12.50	15.00	
	kBtu/h	34.12	42.65	51.18	
Air Flow Rate	m ³ /h	1700	1700	2000	
	CFM	1000	1000	1177	
ESP(standard/max./range)	Pa	40/80	40/80	50/100	
Sound Pressure Level (H/M/L)	dB(A)	48 /46 /44	48 /46 /44	50 /48 /46	
Power Supply	V/Hz/Ph	220-240/50/1	220-240/50/1	220-240/50/1	
Fan Motor	Output	kW	0.225	0.225	0.260
	Running Current	A	1.63	1.63	2.27
Connecting Pipes	Gas Pipe	mm	Φ15.9	Φ15.9	Φ15.9
		inch	Φ5/8	Φ5/8	Φ5/8
	Liquid Pipe	mm	Φ9.52	Φ9.52	Φ9.52
		inch	Φ3/8	Φ3/8	Φ3/8
	Connection Method		Flare Connection	Flare Connection	Flare Connection
Drain Pipes (External Dia.×Thickness)	mm	Φ30×1.5	Φ30×1.5	Φ30×1.5	
Unit Dimensions (W×D×H)	mm	1425 ×736 ×300	1425 ×736 ×300	1425 ×736 ×300	
Package Dimensions (W×D×H)	mm	1517 ×788 ×375	1517 ×788 ×375	1517 ×788 ×375	
Net Weight	kg	62.0	62.0	63.5	
Gross Weight	kg	71.0	71.0	73.0	
Loading Quantity (20' Container)	unit	36	36	36	
Loading Quantity (40' Container)	unit	84	84	84	
Loading Quantity (40' High Cube Container)	unit	84	84	84	

Model			GMV-R22PS/NaB-K	GMV-R28PS/NaB-K	GMV-R36PS/NaB-K
Product Code			CM800N2000	CM800N2010	CM800N2020
Model			GMVL-R22PS/NaB-K	GMVL-R28PS/NaB-K	GMVL-R36PS/NaB-K
Product Code			CM800N2030	CM800N2040	CM800N2050
Cooling Capacity	kW		2.20	2.80	3.60
	kBtu/h		7.51	9.55	12.28
Heating Capacity	kW		2.50	3.20	4.00
	kBtu/h		8.53	10.92	13.65
Air Flow Rate	m ³ /h		450	570	570
	CFM		265	335	335
ESP(standard/max./range)	Pa		20/50	20/50	20/50
Sound Pressure Level (H/M/L)	dB(A)		37 /35 /33	39 /37 /35	39 /37 /35
Power Supply	V/Hz/Ph		220-240/50/1	220-240/50/1	220-240/50/1
Fan Motor	Output	kW	0.04	0.06	0.06
	Running Current	A	0.34	0.36	0.36
Connecting Pipes	Gas Pipe	mm	Φ9.52	Φ9.52	Φ12.7
		inch	Φ3/8	Φ3/8	Φ1/2
	Liquid Pipe	mm	Φ6.35	Φ6.35	Φ6.35
		inch	Φ1/4	Φ1/4	Φ1/4
Connection Method			Flare Connection	Flare Connection	Flare Connection
Drain Pipes (External Dia.×Thickness)	mm		Φ20×1.5	Φ20×1.5	Φ20×1.5
Unit Dimensions (W×D×H)	mm		880 ×665 ×250	880 ×665 ×250	880 ×665 ×250
Package Dimensions (W×D×H)	mm		1020 ×745 ×305	1020 ×745 ×305	1020 ×745 ×305
Net Weight	kg		28.5	30.5	30.5
Gross Weight	kg		33.5	35.5	35.5
Loading Quantity (20' Container)	unit		90	90	90
Loading Quantity (40' Container)	unit		198	198	198
Loading Quantity (40' High Cube Container)	unit		198	198	198

Model		GMV-R45PS/NaB-K	GMV-R56PS/NaB-K	GMV-R71PS/NaB-K
Product Code		CM800N2060	CM800N2070	CM800N2080
Model		GMVL-R45PS/NaB-K	GMVL-R56PS/NaB-K	GMVL-R71PS/NaB-K
Product Code		CM800N2120	CM800N2130	CM800N2140
Cooling Capacity	kW	4.50	5.60	7.10
	kBtu/h	15.35	19.11	24.22
Heating Capacity	kW	5.00	6.30	8.00
	kBtu/h	17.06	21.50	27.30
Air Flow Rate	m ³ /h	700	1000	1100
	CFM	412	589	647
ESP(standard/max./range)	Pa	20/50	30/60	30/60
Sound Pressure Level (H/M/L)	dB(A)	40 /38 /36	44 /42 /40	45 /43 /41
Power Supply	V/Hz/Ph	220-240/50/1	220-240/50/1	220-240/50/1
Fan Motor	Output	kW	0.07	0.15
	Running Current	A	0.64	1.09
Connecting Pipes	Gas Pipe	mm	Φ12.7	Φ15.9
		inch	Φ1/2	Φ5/8
	Liquid Pipe	mm	Φ6.35	Φ9.52
		inch	Φ1/4	Φ3/8
Connection Method			Flare Connection	Flare Connection
Drain Pipes (External Dia.×Thickness)	mm	Φ30×1.5	Φ30×1.5	Φ30×1.5
Unit Dimensions (W×D×H)	mm	980 ×721 ×266	1155 ×736 ×300	1155 ×736 ×300
Package Dimensions (W×D×H)	mm	1068 ×766 ×320	1245 ×785 ×360	1245 ×785 ×360
Net Weight	kg	36.0	51.0	51.0
Gross Weight	kg	39.0	58.0	58.0
Loading Quantity (20' Container)	unit	90	48	48
Loading Quantity (40' Container)	unit	198	108	108
Loading Quantity (40' High Cube Container)	unit	198	108	108

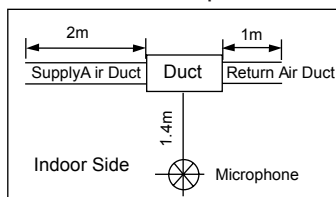
Model		GMV-R90PS/NaB-K	GMV-R112PS/NaB-K	GMV-R140PS/NaB-K	
Product Code		CM800N2090	CM800N2100	CM800N2110	
Model		GMVL-R90PS/NaB-K	GMVL-R112PS/NaB-K	GMVL-R140PS/NaB-K	
Product Code		CM800N2150	CM800N2160	CM800N2170	
Cooling Capacity	kW	9.00	11.20	14.00	
	kBtu/h	30.71	38.21	47.77	
Heating Capacity	kW	10.00	12.50	15.00	
	kBtu/h	34.12	42.65	51.18	
Air Flow Rate	m ³ /h	1700	1700	2000	
	CFM	1000	1000	1177	
ESP(standard/max./range)	Pa	40/80	40/80	50/100	
Sound Pressure Level (H/M/L)	dB(A)	48 /46 /44	48 /46 /44	50 /48 /46	
Power Supply	V/Hz/Ph	220-240/50/1	220-240/50/1	220-240/50/1	
Fan Motor	Output	kW	0.225	0.225	0.260
	Running Current	A	1.63	1.63	2.27
Connecting Pipes	Gas Pipe	mm	Φ15.9	Φ15.9	Φ15.9
		inch	Φ5/8	Φ5/8	Φ5/8
	Liquid Pipe	mm	Φ9.52	Φ9.52	Φ9.52
		inch	Φ3/8	Φ3/8	Φ3/8
	Connection Method		Flare Connection	Flare Connection	Flare Connection
Drain Pipes (External Dia.×Thickness)	mm	Φ30×1.5	Φ30×1.5	Φ30×1.5	
Unit Dimensions (W×D×H)	mm	1425 ×736 ×300	1425 ×736 ×300	1425 ×736 ×300	
Package Dimensions (W×D×H)	mm	1514 ×785 ×360	1514 ×785 ×360	1514 ×785 ×360	
Net Weight	kg	64.0	64.0	65.5	
Gross Weight	kg	73.0	73.0	75.0	
Loading Quantity (20' Container)	unit	36	36	36	
Loading Quantity (40' Container)	unit	84	84	84	
Loading Quantity (40' High Cube Container)	unit	84	84	84	

Model		GMV-R224P/NaB-M	GMV-R280P/NaB-M
Product Code		CM800N2200	CM800N2220
Cooling Capacity	kW	22.4	28.00
	kBtu/h	76.4	95.54
Heating Capacity	kW	25.0	31.00
	kBtu/h	85.30	105.78
Air Flow Rate	m ³ /h	4000	4800
	CFM	2381	2857
ESP(standard/max./range)	Pa	200	220
Sound Pressure Level	dB(A)	56	57
Power Supply	V/Hz/Ph	380-415/50/3	380-415/50/3
Fan Motor	Output	kW	1.2
	Running Current	A	2.40
Connecting Pipes	Gas Pipe	mm	22.2
		inch	7/8
	Liquid Pipe	mm	9.52
		inch	3/8
Connection Method		Brazing Connection	Brazing Connection
Drain Pipes (External Dia.×Thickness)	mm	30×1.5	30 ×1.5
Unit Dimensions (W×D×H)	mm	1463×799×389	1628 ×869 ×454
Package Dimensions (W×D×H)	mm	1540×880 ×470	1745 ×1025 ×580
Net Weight	kg	88	113
Gross Weight	kg	102	152
Loading Quantity (20' Container)	unit	35	24
Loading Quantity (40' Container)	unit	75	52
Loading Quantity (40' High Cube Container)	unit	89	65

Notes:

- ① . The above performance parameter is measured according to the standard of GB/T 18837-2002.
- ② . Always see the nameplate for the specified parameters.
- ③ . The model with GMVL code is cooling only unit; while the model with GMV code is heat pump unit; the cooling only units dose not have any parameters of performing heating.
- ④ . Above parameters are tested under the condition:high fan speed
Cooling : Indoor air temperature 27°C DB/19°C WB;
Heating : Indoor air temperature 20°C DB/15°C WB.
- ⑤ . The noise test is conducted in the semi-anechoic or anechoic chamber, and the floor of the former is a reflecting surface.

Location of microphone:



3.2.2 E-Series Duct Type

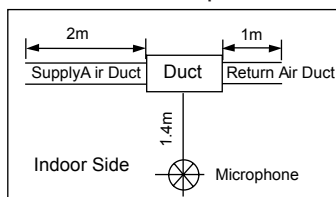
Model		GMV-R22PS/NaE-K	GMV-R28PS/NaE-K	GMV-R36PS/NaE-K	
Product Code		CM800N3010	CM800N3020	CM800N3030	
Model		GMVL-R22PS/NaE-K	GMVL-R28PS/NaE-K	GMVL-R36PS/NaE-K	
Product Code		CM800N3060	CM800N3070	CM800N3080	
Cooling Capacity	kW	2.20	2.80	3.60	
	kBtu/h	7.51	9.55	12.28	
Heating Capacity	kW	2.50	3.20	4.00	
	kBtu/h	8.53	10.92	13.65	
Air Flow Rate	m ³ /h	450	450	550	
	CFM	265	265	324	
ESP(standard/max./range)	Pa	20	20	20	
Sound Pressure Level (H/M/L)	dB(A)	37 /35 /33	37 /35 /33	39 /37 /35	
Power Supply	V/Hz/Ph	220-240/50/1	220-240/50/1	220-240/50/1	
Fan Motor	Output	kW	0.03	0.03	0.04
	Running Current	A	0.28	0.28	0.31
Connecting Pipes	Gas Pipe	mm	9.52	9.52	12.7
		inch	3/8	3/8	1/2
	Liquid Pipe	mm	6.35	6.35	6.35
		inch	1/4	1/4	1/4
Connection Method		Flare Connection	Flare Connection	Flare Connection	
Drain Pipes (External Dia.×Thickness)	mm	20×1.5	20×1.5	20×1.5	
Unit Dimensions (W×D×H)	mm	700 ×615 ×200	700 ×615 ×200	700 ×615 ×200	
Package Dimensions (W×D×H)	mm	890 ×740 ×290	890 ×740 ×290	890 ×740 ×290	
Net Weight	kg	21.0	21.0	22.0	
Gross Weight	kg	27.0	27.0	28.0	
Loading Quantity (20' Container)	unit	108	108	108	
Loading Quantity (40' Container)	unit	234	234	234	
Loading Quantity (40' High Cube Container)	unit	234	234	234	

Model		GMV-R45PS/NaE-K	GMV-R56PS/NaE-K	GMV-R71PS/NaE-K
Product Code		CM800N3040	CM800N3050	CM800N3000
Model		GMVL-R45PS/NaE-K	GMVL-R56PS/NaE-K	GMVL-R71PS/NaE-K
Product Code		CM800N3090	CM800N3100	CM800N3110
Cooling Capacity	kW	4.5	5.6	7.1
	kBtu/h	15.35	19.11	24.23
Heating Capacity	kW	5.0	6.3	8.0
	kBtu/h	17.06	21.50	27.30
Air Flow Rate	m ³ /h	700	700	1000
	CFM	412	412	588
ESP(standard/max./range)	Pa	20	20	20
Sound Pressure Level (H/M/L)	dB(A)	40 /38 /36	41 /39 /37	42 /40 /38
Power Supply	V/Hz/Ph	220-240/50/1	220-240/50/1	220-240/50/1
Fan Motor	Output	kW	0.06	0.06
	Running Current	A	0.41	0.41
Connecting Pipes	Gas Pipe	mm	12.7	15.90
		inch	1/2	0.626
	Liquid Pipe	mm	6.35	9.52
		inch	0.25	0.375
Connection Method		Flare Connection	Flare Connection	Flare Connection
Drain Pipes (External Dia.×Thickness)	mm	30 ×1.5	30 ×1.5	30 ×1.5
Unit Dimensions (W×D×H)	mm	900 ×615 ×200	900 ×615 ×200	1100 ×615 ×200
Package Dimensions (W×D×H)	mm	1120 ×740 ×290	1120 ×740 ×290	1320 ×740 ×290
Net Weight	kg	26.0	26.0	26.0
Gross Weight	kg	33.0	33.0	33.0
Loading Quantity (20' Container)	unit	90	90	72
Loading Quantity (40' Container)	unit	192	192	162
Loading Quantity (40' High Cube Container)	unit	192	192	162

Notes:

- ①. The above performance parameter is measured according to the standard of GB/T 18837-2002.
- ②. Always see the nameplate for the specified parameters.
- ③. The model with GMVL code is cooling only unit; while the model with GMV code is heat pump unit; the cooling only units dose not have any parameters of performing heating.
- ④. Above parameters are tested under the condition:high fan speed
Cooling : Indoor air temperature 27°C DB/19°C WB;
Heating : Indoor air temperature 20°C DB/15°C WB.
- ⑤. The noise test is conducted in the semi-anechoic or anechoic chamber, and the floor of the former is a reflecting surface.

Location of microphone:



3.3 Wall Mounted Type

Model			GMV-R22G/NaB-K	GMV-R28G/NaB-K	GMV-R36G/NaB-K
Product Code			EM100N0070	EM100N0090	EM100N0110
Model			GMVL-R22G/NaB-K	GMVL-R28G/NaB-K	GMVL-R36G/NaB-K
Product Code			EM100N0080	EM100N0100	EM100N0120
Cooling Capacity	kW		2.2	2.8	3.6
	kBtu/h		7.51	9.55	12.28
Heating Capacity	kW		2.5	3.2	4.0
	kBtu/h		8.53	10.92	13.65
Air Flow Rate	m ³ /h		360	360	500
	CFM		212	212	294
ESP(standard/max./range)	Pa		0	0	0
Sound Pressure Level (H/L)	dB(A)		37 /28	37 /28	43 /28
Power Supply	V/Hz/Ph		220-240/50/1	220-240/50/1	220-240/50/1
Fan Motor	Output	kW	0.014	0.014	0.022
	Running Current	A	0.15	0.15	0.22
Connecting Pipes	Gas Pipe	mm	Φ9.52	Φ9.52	Φ12.7
		inch	3/8	3/8	1/2
	Liquid Pipe	mm	Φ6.35	Φ6.35	Φ6.35
		inch	1/4	1/4	1/4
	Connection Method			Flare Connection	Flare Connection
Drain Pipes (External Dia.×Thickness)	mm		Φ20×1.5	Φ20×1.5	Φ20×1.5
Unit Dimensions (W×D×H)	mm		770 ×190 ×250	770 ×190 ×250	830 ×189 ×285
Package Dimensions (W×D×H)	mm		955 ×330 ×272	955 ×330 ×272	1006 ×385 ×265
Net Weight	kg		8.0	8.0	11.0
Gross Weight	kg		14.3	14.3	15.8

Model			GMV-R45G/NaB-K	GMV-R50G/NaB-K	GMV-R56G/NaB-K
Product Code			EM100N0130	CM100N0020	CM100N0010
Model			GMVL-R45G/NaB-K	GMVL-R50G/NaB-K	GMVL-R56G/NaB-K
Product Code			EM100N0140	CM100N0040	CM100N0050
Cooling Capacity	kW		4.5	5.0	5.6
	kBtu/h		15.35	17.06	19.11
Heating Capacity	kW		5.0	5.8	6.3
	kBtu/h		17.06	19.79	21.50
Air Flow Rate	m ³ /h		500	700	750
	CFM		294	412	441
ESP(standard/max./range)	Pa		0	0	0
Sound Pressure Level (H/L)	dB(A)		43 /28	45 /40	45 /40
Power Supply	V/Hz/Ph		220-240/50/1	220-240/50/1	220-240/50/1
Fan Motor	Output	kW	0.022	0.020	0.020
	Running Current	A	0.22	0.25	0.26
Connecting Pipes	Gas Pipe	mm	Φ12.7	Φ12.7	Φ15.9
		inch	1/2	1/2	5/8
	Liquid Pipe	mm	Φ6.35	Φ6.35	Φ9.52
		inch	1/4	1/4	3/8
	Connection Method			Flare Connection	Flare Connection
Drain Pipes (External Dia.×Thickness)	mm		Φ20×1.5	Φ30×1.5	Φ30×1.5
Unit Dimensions (W×D×H)	mm		830 ×189 ×285	1020 ×228 ×310	1020 ×228 ×310
Package Dimensions (W×D×H)	mm		1006 ×385 ×265	1178 ×325 ×390	1178 ×325 ×390
Net Weight	kg		11.0	15.5	15.5
Gross Weight	kg		15.8	20.5	20.5

Model			GMV-R22G/NaC-K	GMV-R28G/NaC-K	GMV-R36G/NaC-K
Product Code			EM100N0270	EM100N0290	EM100N0310
Model			GMVL-R22G/NaC-K	GMVL-R28G/NaC-K	GMVL-R36G/NaC-K
Product Code			EM100N0280	EM100N0300	EM100N0320
Cooling Capacity	kW		2.2	2.8	3.6
	kBtu/h		7.50	9.55	12.28
Heating Capacity	kW		2.5	3.2	4.0
	kBtu/h		8.53	10.92	13.65
Air Flow Rate	m ³ /h		360	360	500
	CFM		212	212	294
Sound Pressure Level (H/L)	dB(A)		37/28	37/28	43/28
External Static Pressure	Pa		0	0	0
Power Supply			220-240/50/1	220-240/50/1	220-240/50/1
Fan Motor	Output	kW	0.014	0.014	0.022
	Running Current	A	0.15	0.15	0.22
Connecting Pipes	Gas Pipe	mm	Φ9.52	Φ9.52	Φ12.7
		inch	3/8	3/8	1/2
	Liquid Pipe	mm	Φ6.35	Φ6.35	Φ6.35
		inch	1/4	1/4	1/4
	Connection Method			Flare Connection	Flare Connection
Drain Pipes (External Dia.×Thickness)		mm	Φ20×1.5	Φ20×1.5	Φ20×1.5
Unit Dimensions (W×D×H)		mm	770×190×250	770×190×250	830×189×285
Package Dimensions (W×D×H)		mm	955×330×272	955×272×330	1006×395×295
Net Weight		kg	8	8	11
Gross Weight		kg	14.3	14.3	15.8

Model			GMV-R45G/NaC-K	GMV-R71G/Na-K	GMV-R80G/Na-K
Product Code			EM100N0330	CM100N0030	CM100N0080
Model			GMVL-R45G/NaC-K	GMVL-R71G/Na-K	GMVL-R80G/Na-K
Product Code			EM100N0340	CM100N0060	CM100N0070
Cooling Capacity	kW		4.5	7.1	8.0
	Btu		15.36	24.23	27.30
Heating Capacity	kW		5.0	8.0	9.0
	Btu		17.06	27.30	30.71
Air Flow Rate	m ³ /h		500	1200	1200
	CFM		294	706	706
Sound Pressure Level (H/L)	dB(A)		43/28	49/42	49/42
External Static Pressure	Pa		0	0	0
Power Supply			220-240/50/1	220-240/50/1	220-240/50/1
Fan Motor	Output	kW	0.022	0.026	0.026
	Running Current	A	0.22	0.29	0.39
Connecting Pipes	Gas Pipe	mm	Φ12.7	Φ15.9	Φ15.9
		inch	1/2	5/8	5/8
	Liquid Pipe	mm	Φ6.35	Φ9.52	Φ9.52
		inch	1/4	3/8	3/8
	Connection Method			Flare Connection	Flare Connection
Drain Pipes (External Dia.×Thickness)		mm	Φ30×1.5	φ30×1.5	φ30×1.5
Unit Dimensions (W×D×H)		mm	830×189×285	1178×227×326	1178×227×326
Package Dimensions (W×D×H)		mm	1006×395×295	1365×417×333	1365×417×333
Net Weight		kg	11	17.5	17.5
Gross Weight			15.8	23	23

Model		GMV-R22G/NaG-K	GMV-R28G/NaG-K	GMV-R36G/NaG-K
Product Code		CM100N0220	CM100N0240	CM100N0270
Model		GMVL-R22G/NaG-K	GMVL-R28G/NaG-K	GMVL-R36G/NaG-K
Product Code		CM100N0380	CM100N0400	CM100N0420
Cooling Capacity	kW	2.2	2.8	3.6
	kBtu/h	7.51	9.55	12.28
Heating Capacity	kW	2.5	3.2	4.0
	kBtu/h	8.53	10.92	13.65
Air Flow Rate	m ³ /h	500	500	630
	CFM	294	294	371
ESP(standard/max./range)	Pa	0	0	0
Sound Pressure Level (H/L)	dB(A)	38 /34	38 /34	44 /38
Power Supply	V/Hz/Ph	220-240/50/1	220-240/50/1	220-240/50/1
Fan Motor	Output	kW	0.02	0.02
	Running Current	A	0.31	0.31
Connecting Pipes	Gas Pipe	mm	Φ9.52	Φ9.52
		inch	3/8	3/8
	Liquid Pipe	mm	Φ6.35	Φ6.35
		inch	1/4	1/4
	Connection Method		Flare Connection	Flare Connection
Drain Pipes (External Dia.×Thickness)	mm	Φ28×4.0	Φ28×4.0	Φ28×4.0
Unit Dimensions (W×D×H)	mm	843 ×180 ×275	843 ×180 ×275	940 ×200 ×298
Package Dimensions (W×D×H)	mm	915 ×255 ×355	915 ×255 ×355	1010 ×285 ×380
Net Weight	kg	10.5	10.5	13.0
Gross Weight	kg	12.5	12.5	16.0

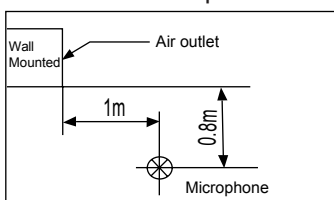
Model			GMV-R45G/NaG-K	GMV-R50G/NaG-K	GMV-R56G/NaG-K
Product Code			CM100N0280	CM100N0260	CM100N0330
Model			GMVL-R45G/NaG-K	GMVL-R50G/NaG-K	GMVL-R56G/NaG-K
Product Code			CM100N0440	CM100N0460	CM100N0480
Cooling Capacity	kW		4.5	5.0	5.6
	kBtu/h		15.35	17.06	19.11
Heating Capacity	kW		5.0	5.8	6.3
	kBtu/h		17.06	19.79	21.50
Air Flow Rate	m ³ /h		630	630	800
	CFM		371	371	471
ESP(standard/max./range)	Pa		0	0	0
Sound Pressure Level (H/L)	dB(A)		44 /38	44 /38	44 /38
Power Supply	V/Hz/Ph		220-240/50/1	220-240/50/1	220-240/50/1
Fan Motor	Output	kW	0.02	0.02	0.03
	Running Current	A	0.36	0.36	0.4
Connecting Pipes	Gas Pipe	mm	Φ12.7	Φ12.7	Φ15.87
		inch	1/2	1/2	5/8
	Liquid Pipe	mm	Φ6.35	Φ6.35	Φ9.52
		inch	1/4	1/4	3/8
	Connection Method			Flare Connection	Flare Connection
Drain Pipes (External Dia.×Thickness)	mm		Φ28×4.0	Φ28×4.0	Φ28×4.0
Unit Dimensions (W×D×H)	mm		940 ×200 ×298	940 ×200 ×298	1008 ×221 ×319
Package Dimensions (W×D×H)	mm		1010 ×285 ×380	1010 ×285 ×380	1073 ×313 ×395
Net Weight	kg		13.0	13.0	15.0
Gross Weight	kg		16.0	16.0	20.0

Model		GMV-R63G/NaG-K	GMV-R71G/NaG-K
Product Code		CM100N0340	CM100N0320
Model		GMVL-R63G/NaG-K	GMVL-R71G/NaG-K
Product Code		CM100N0500	CM100N0520
Cooling Capacity	kW	6.3	7.1
	kBtu/h	21.50	24.23
Heating Capacity	kW	7.0	8.0
	kBtu/h	23.88	27.30
Air Flow Rate	m ³ /h	800	800
	CFM	471	471
ESP(standard/max./range)	Pa	0	0
Sound Pressure Level (H/L)	dB(A)	44 /38	44 /38
Power Supply	V/Hz/Ph	220-240/50/1	220-240/50/1
Fan Motor	Output	kW	0.03
	Running Current	A	0.4
Connecting Pipes	Gas Pipe	mm	Φ15.87
		inch	5/8
	Liquid Pipe	mm	Φ9.52
		inch	3/8
Connection Method		Flare Connection	Flare Connection
Drain Pipes (External Dia.×Thickness)	mm	Φ28×4.0	Φ28×4.0
Unit Dimensions (W×D×H)	mm	1008 ×221 ×319	1008 ×221 ×319
Package Dimensions (W×D×H)	mm	1073 ×313 ×395	1073 ×313 ×395
Net Weight	kg	15.0	15.0
Gross Weight	kg	20.0	20.0

Notes:

- ① . The above performance parameter is measured according to the standard of GB/T 18837-2002.
- ② . Always see the nameplate for the specified parameters.
- ③ . The model with GMVL code is cooling only unit; while the model with GMV code is heat pump unit; the cooling only units dose not have any parameters of performing heating.
- ④ . Above parameters are tested under the condition:high fan speed
Cooling : Indoor air temperature 27°C DB/19°C WB;
Heating : Indoor air temperature 20°C DB/15°C WB.
- ⑤ . The noise test is conducted in the semi-anechoic or anechoic chamber, and the floor of the former is a reflecting surface.

Location of microphone:



3.4 Floor Ceiling Type

Model		GMV-R28Zd/NaB-K	GMV-R36Zd/NaB-K	GMV-R50Zd/NaB-K	
Product Code		CM600N0170	CM600N0180	CM600N0190	
Cooling Capacity	kW	2.8	3.6	5.0	
	kBtu/h	9.55	12.28	17.06	
Heating Capacity	kW	3.2	4.0	5.8	
	kBtu/h	10.92	13.65	19.79	
Air Flow Rate	m ³ /h	650	650	950	
	CFM	383	383	559	
ESP(standard/max./range)	Pa	0	0	0	
Sound Pressure Level	dB(A)	40	40	45	
Power Supply	V/Hz/Ph	220-240/50/1	220-240/50/1	220-240/50/1	
Fan Motor	Output	kW	0.01	0.01	0.02
	Running Current	A	0.25	0.25	0.50
Connecting Pipes	Gas Pipe	mm	9.52	12.7	12.7
		inch	3/8	1/2	1/2
	Liquid Pipe	mm	6.35	6.35	6.35
		inch	1/4	1/4	1/4
	Connection Method		Flare Connection	Flare Connection	Flare Connection
	Drain Pipes (External Dia.×Thickness)	mm	17×1.75	17×1.75	17×1.75
Unit Dimensions (W×D×H)	mm	1220×700 ×225	1220×700 ×225	1220×700 ×225	
Package Dimensions (W×D×H)	mm	1340 ×820 ×300	1340 ×820 ×300	1340 ×820 ×300	
Net Weight	kg	40.0	40.0	40.0	
Gross Weight	kg	50.0	50.0	50.0	

Model		GMV-R71Zd/NaB-K	GMV-R90Zd/NaB-K	
Product Code		CM600N0200	CM600N0210	
Cooling Capacity	kW	7.10	9.00	
	kBtu/h	24.22	30.71	
Heating Capacity	kW	8.00	10.00	
	kBtu/h	27.30	34.12	
Air Flow Rate	m ³ /h	1400	1600	
	CFM	824	942	
ESP(standard/max./range)	Pa	0	0	
Sound Pressure Level	dB(A)	49	51	
Power Supply	V/Hz/Ph	220-240/50/1	220-241/50/1	
Fan Motor	Output	kW	0.075	0.15
	Running Current	A	0.64	0.82
Connecting Pipes	Gas Pipe	mm	15.9	15.9
		inch	5/8	5/8
	Liquid Pipe	mm	9.52	9.52
		inch	3/8	3/8
Connection Method		Flare Connection	Flare Connection	
Drain Pipes (External Dia.×Thickness)	mm	31×12	31×12	
Unit Dimensions (W×D×H)	mm	1420×700 ×245	1420×700 ×245	
Package Dimensions (W×D×H)	mm	1545 ×825 ×330	1545 ×825 ×330	
Net Weight	kg	52.0	54.0	
Gross Weight	kg	61.0	63.0	

Model		GMV-R112Zd/NaB-K	GMV-R125Zd/NaB-K	GMV-R140Zd/NaB-K
Product Code		CM600N0220	CM600N0160	CM600N0310
Cooling Capacity	kW	11.20	12.50	14.00
	kBtu/h	38.21	42.65	47.77
Heating Capacity	kW	12.50	13.50	16.00
	kBtu/h	42.65	46.06	54.59
Air Flow Rate	m ³ /h	2000	2000	2000
	CFM	1177	1177	1177
ESP(standard/max./range)	Pa	0	0	0
Sound Pressure Level	dB(A)	55	55	55
Power Supply	V/Hz/Ph	220-242/50/1	220-243/50/1	220-243/50/1
Fan Motor	Output	kW	0.18	0.18
	Running Current	A	1.1	1.1
Connecting Pipes	Gas Pipe	mm	15.9	15.9
		inch	5/8	5/8
	Liquid Pipe	mm	9.52	9.52
		inch	3/8	3/8
Connection Method		Flare Connection	Flare Connection	Flare Connection
Drain Pipes (External Dia.×Thickness)	mm	31×12	31×12	31×12
Unit Dimensions (W×D×H)	mm	1700×700 ×245	1700×700 ×245	1700×700 ×245
Package Dimensions (W×D×H)	mm	1825 ×825 ×330	1825 ×825 ×330	1825 ×825 ×330
Net Weight	kg	64.0	66.0	66.0
Gross Weight	kg	72.0	74.0	74.0

Model		GMV-R28Zd/Na-K	GMV-R36Zd/Na-K
Product Code		EM600N0060	EM600N0070
Model		GMVL-R28Zd/Na-K	GMVL-R36Zd/Na-K
Product Code		ED020N0410	EM600N0090
Cooling Capacity	kW	2.80	3.60
	kBtu/h	10.00	12.28
Heating Capacity	kW	3.20	4.00
	kBtu/h	11.00	14.00
Air Flow Rate	m ³ /h	550	600
	CFM	324	353
ESP(standard/max./range)	Pa	0	0
Sound Pressure Level	dB(A)	43	44
Power Supply	V/Hz/Ph	220-240/50/1	220-240/50/1
Fan Motor	Output	kW	0.01
	Running Current	A	0.09
Connecting Pipes	Gas Pipe	mm	Φ9.52
		inch	3/8
	Liquid Pipe	mm	Φ6.35
		inch	1/4
Connection Method		Flare Connection	Flare Connection
Drain Pipes (External Dia.×Thickness)	mm	28 ×3.0	28 ×3.0
Unit Dimensions (W×D×H)	mm	840 ×238 ×695	840 ×238 ×695
Package Dimensions (W×D×H)	mm	1035 ×295 ×805	1035 ×295 ×805
Net Weight	kg	28.0	28.0
Gross Weight	kg	37.0	37.0

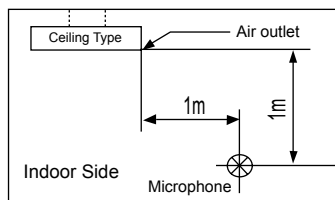
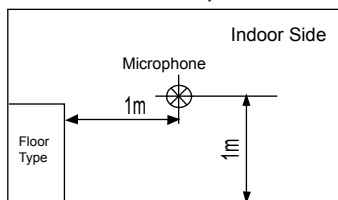
Model		GMV-R50Zd/Na-K	GMV-R71Zd/Na-K
Product Code		EM600N0010	EM600N0030
Model		GMVL-R50Zd/Na-K	GMVL-R71Zd/Na-K
Product Code		EM600N0100	EM600N0110
Cooling Capacity	kW	5.00	7.10
	kBtu/h	17.06	24.23
Heating Capacity	kW	5.80	8.00
	kBtu/h	20	27
Air Flow Rate	m ³ /h	700	1170
	CFM	412	689
ESP(standard/max./range)	Pa	0	0
Sound Pressure Level	dB(A)	50	48
Power Supply	V/Hz/Ph	220-240/50/1	220-240/50/1
Fan Motor	Output	kW	0.04
	Running Current	A	0.35
Connecting Pipes	Gas Pipe	mm	Φ12.7
		inch	1/2
	Liquid Pipe	mm	Φ6.35
		inch	1/4
Connection Method		Flare Connection	Flare Connection
Drain Pipes (External Dia.×Thickness)	mm	28 ×3.0	28 ×3.0
Unit Dimensions (W×D×H)	mm	840 ×238 ×695	1300 ×188 ×600
Package Dimensions (W×D×H)	mm	1035 ×295 ×805	1514 ×248 ×724
Net Weight	kg	28.0	34.0
Gross Weight	kg	37.0	38.0

Model		GMV-R90Zd/Na-K	GMV-R112Zd/Na-K	GMV-R125Zd/Na-K
Product Code		EM600N0040	EM600N0050	EM600N0020
Model		GMVL-R90Zd/Na-K	GMVL-R112Zd/Na-K	GMVL-R125Zd/Na-K
Product Code		EM600N0120	EM600N0130	EM600N0140
Cooling Capacity	kW	9.00	11.20	12.50
	kBtu/h	30.71	38.21	42.65
Heating Capacity	kW	10.00	12.50	13.50
	kBtu/h	34.00	43.00	46.00
Air Flow Rate	m ³ /h	2100	2200	2300
	CFM	1236	1295	1354
ESP(standard/max./range)	Pa	0	0	0
Sound Pressure Level	dB(A)	51	54	55
Power Supply	V/Hz/Ph	220-240/50/1	220-240/50/1	220-240/50/1
Fan Motor	Output	kW	0.15	0.18
	Running Current	A	1.30	1.50
Connecting Pipes	Gas Pipe	mm	Φ15.9	Φ15.9
		inch	5/8	5/8
	Liquid Pipe	mm	Φ9.52	Φ9.52
		inch	3/8	3/8
Connection Method			Flare Connection	Flare Connection
Drain Pipes (External Dia.×Thickness)		mm	28 ×3.0	28 ×3.0
Unit Dimensions (W×D×H)		mm	1590 ×238 ×695	1590 ×238 ×695
Package Dimensions (W×D×H)		mm	1814 ×330 ×930	1814 ×330 ×930
Net Weight		kg	44.0	44.0
Gross Weight		kg	53.0	53.0

Notes:

- ① . The above performance parameter is measured according to the standard of GB/T 18837-2002.
- ② . Always see the nameplate for the specified parameters.
- ③ . The model with GMVL code is cooling only unit; while the model with GMV code is heat pump unit; the cooling only units dose not have any parameters of performing heating.
- ④ . Above parameters are tested under the condition:high fan speed
Cooling : Indoor air temperature 27°C DB/19°C WB;
Heating : Indoor air temperature 20°C DB/15°C WB.
- ⑤ . The noise test is conducted in the semi-anechoic or anechoic chamber, and the floor of the former is a reflecting surface.

Location of microphone:



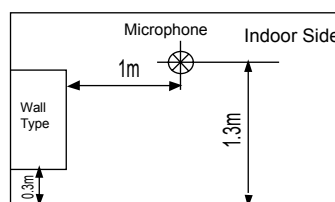
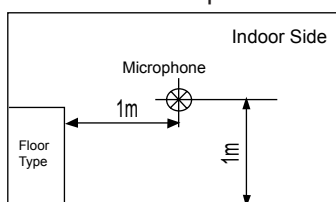
3.5 Floor and Wall Mounted Type

Model		GMV-R28C/Na-K	GMV-R36C/Na-K	GMV-R50C/Na-K
Product Code		CM400N0010	CM400N0020	CM400N0060
Cooling Capacity	kW	2.8	3.6	5.0
	kBtu/h	9.55	12.28	17.06
Heating Capacity	kW	3.2	4.0	5.5
	kBtu/h	10.92	13.65	18.77
Air Flow Rate	m ³ /h	500	600	650
	CFM	294	353	383
ESP(standard/max./range)	Pa	0/0	0/0	0/0
Sound Pressure Level (H/M/L)	dB(A)	38 /33 /26	40 /37 /32	46 /41 /35
Power Supply	V/Hz/Ph	220-240/50/1	220-240/50/1	220-240/50/1
Fan Motor	Output	kW	0.03	0.03
	Running Current	A	0.15	0.15
Connecting Pipes	Gas Pipe	mm	9.52	9.52
		inch	3/8	3/8
	Liquid Pipe	mm	6.35	6.35
		inch	1/4	1/4
	Connection Method		Flare Connection	Flare Connection
Drain Pipes (External Dia.×Thickness)	mm	φ17.2×1.0	φ17.2×1.0	φ17.2×1.0
Unit Dimensions (W×D×H)	mm	700 ×215 ×600	700 ×215 ×600	700 ×215 ×600
Package Dimensions (W×D×H)	mm	788 ×695 ×283	788 ×695 ×695 ×283	788 ×695 ×283
Net Weight	kg	16.0	16.0	16.0
Gross Weight	kg	19.0	19.0	19.0

Notes:

- ① . The above performance parameter is measured according to the standard of GB/T 18837-2002.
- ② . Always see the nameplate for the specified parameters.
- ③ . The model with GMVL code is cooling only unit; while the model with GMV code is heat pump unit; the cooling only units dose not have any parameters of performing heating.
- ④ . Above parameters are tested under the condition:high fan speed
Cooling : Indoor air temperature 27°C DB/19°C WB;
Heating : Indoor air temperature 20°C DB/15°C WB.
- ⑤ . The noise test is conducted in the semi-anechoic or anechoic chamber, and the floor of the former is a reflecting surface.

Location of microphone:



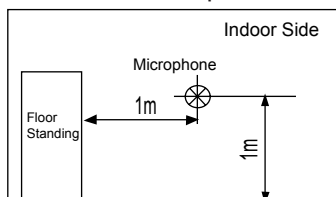
3.6 Floor Standing Type

Model		GMV-R71L/Na-K	GMV-R100L/Na-K	GMV-R140L/Na-K
Product Code		CM300N0010	CM300N0020	CM300N0030
Cooling Capacity	kW	7.00	10.00	14.00
	kBtu/h	23.88	34.12	47.77
Heating Capacity	kW	8.00	11.00	15.00
	kBtu/h	27.30	37.53	51.18
Air Flow Rate	m ³ /h	1100	1600	1700
	CFM	655	952	1012
ESP(standard/max./range)	Pa	0	0	0
Sound Pressure Level (H/M/L)	dB(A)	48 /45 /42	51 /49 /47	52 /50 /48
Power Supply	V/Hz/Ph	220-240/50/1	220-240/50/1	220-240/50/1
Fan Motor	Output	kW	0.05	0.12
	Running Current	A	0.80	1.10
Connecting Pipes	Gas Pipe	mm	9.52	9.52
		inch	3/8	3/8
	Liquid Pipe	mm	6.35	6.35
		inch	1/4	1/4
Connection Method		Brazing Connection	Brazing Connection	Brazing Connection
Drain Pipes (External Dia.×Thickness)	mm	31×4.5	31 ×4.5	31 ×4.5
Unit Dimensions (W×D×H)	mm	502 ×316 ×1756	556 ×381 ×1896	556 ×381 ×1896
Package Dimensions (W×D×H)	mm	633 ×450 ×1943	738 ×545 ×2083	738 ×545 ×2083
Net Weight	kg	39.0	53	57
Gross Weight	kg	60.0	73	77
Loading Quantity (20' Container)	unit	45	33	33
Loading Quantity (40' Container)	unit	95	67	67
Loading Quantity (40' High Cube Container)	unit	95	67	67

Notes:

- ①. The above performance parameter is measured according to the standard of GB/T 18837-2002.
- ②. Always see the nameplate for the specified parameters.
- ③. The model with GMVL code is cooling only unit; while the model with GMV code is heat pump unit; the cooling only units dose not have any parameters of performing heating.
- ④. Above parameters are tested under the condition:high fan speed
Cooling : Indoor air temperature 27°C DB/19°C WB;
Heating : Indoor air temperature 20°C DB/15°C WB.
- ⑤. The noise test is conducted in the semi-anechoic or anechoic chamber, and the floor of the former is a reflecting surface.

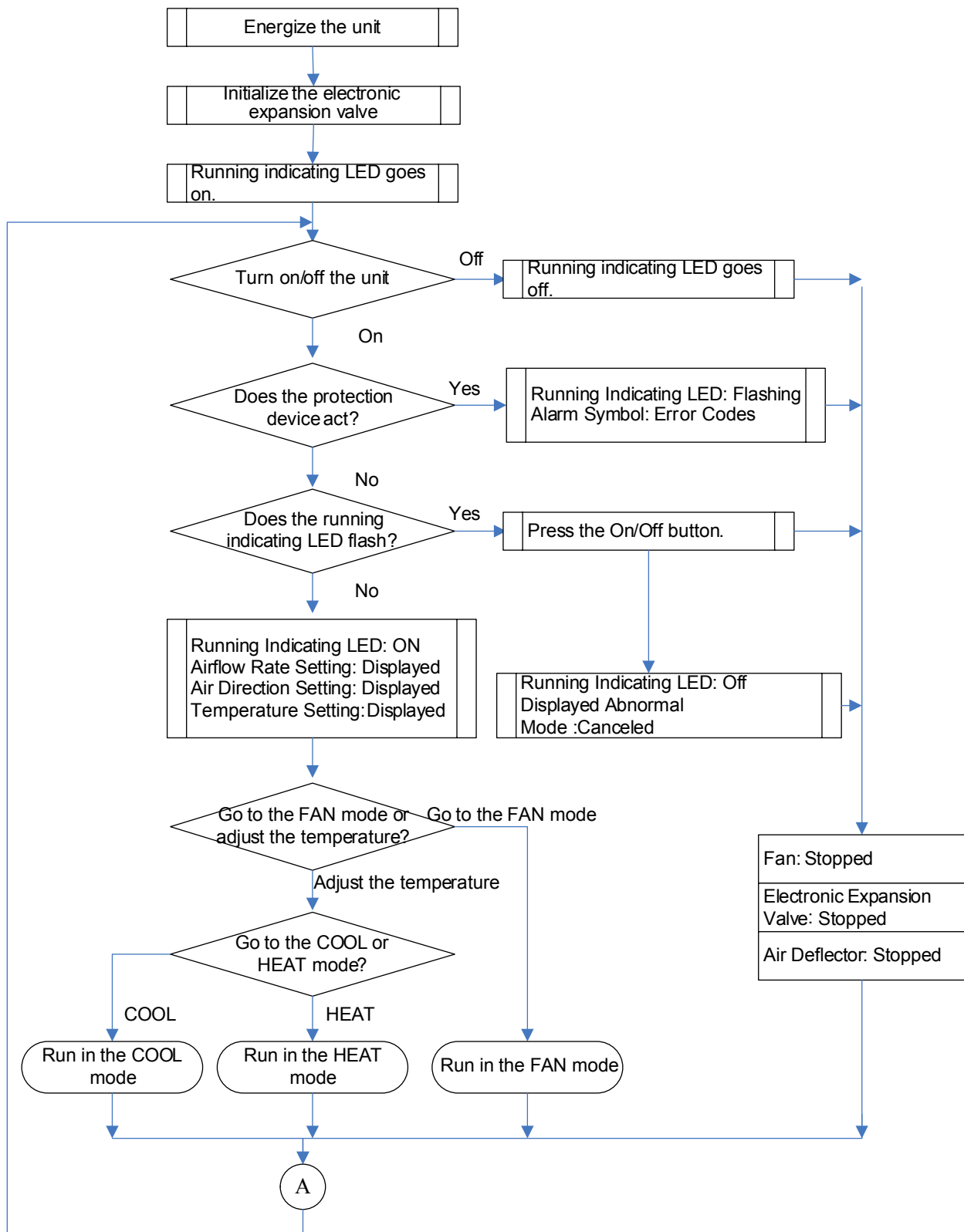
Location of microphone:



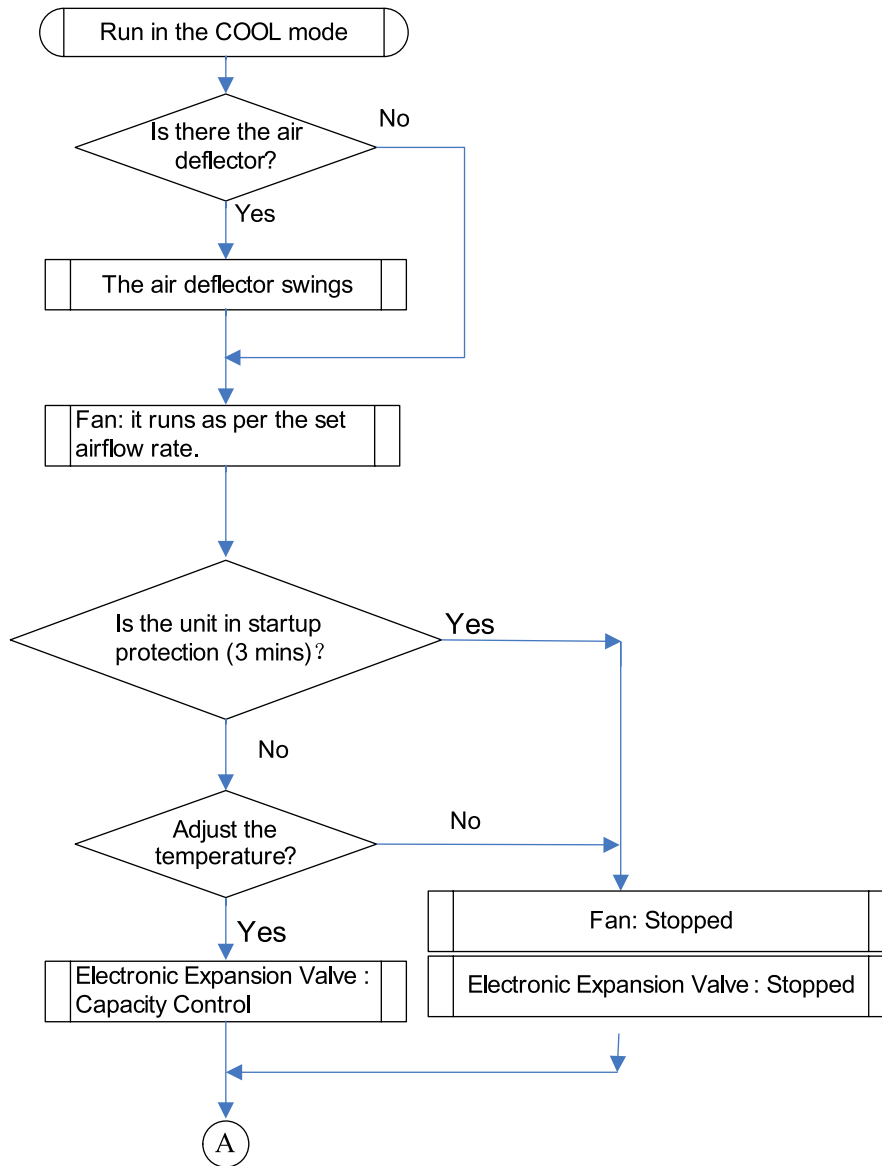
CONTROL

CONTROL

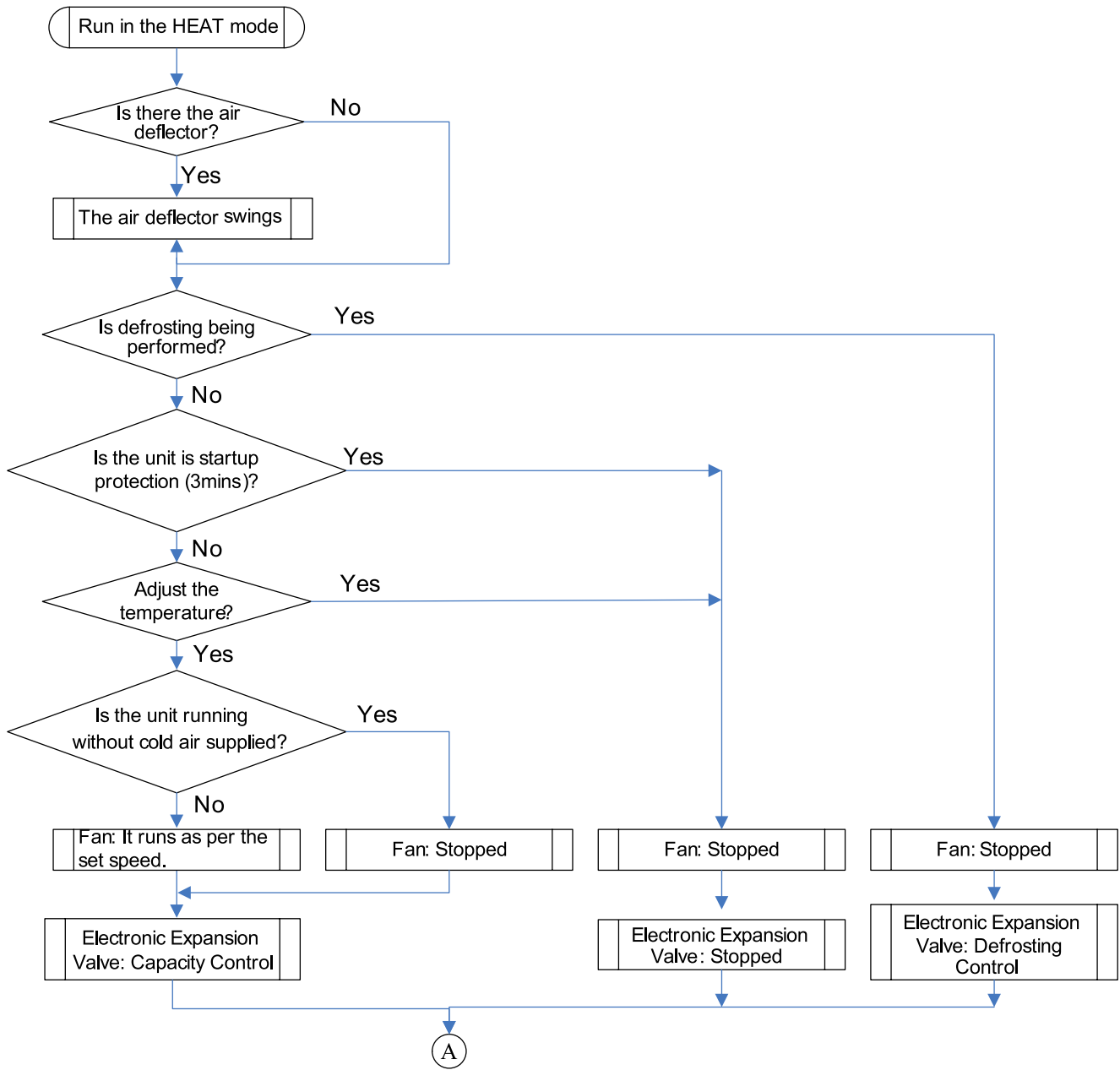
1 OPERATION FLOWCHART



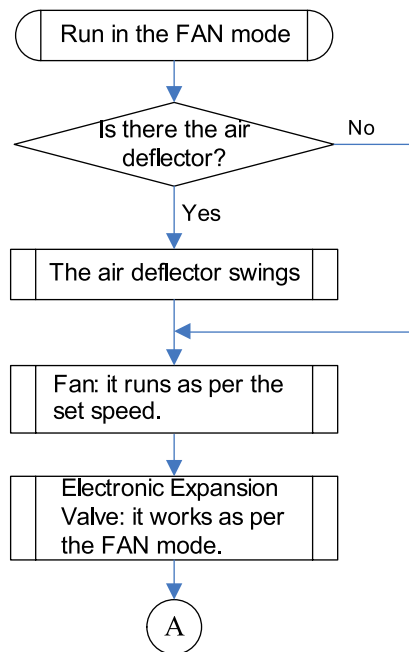
1.1 Cooling Operation



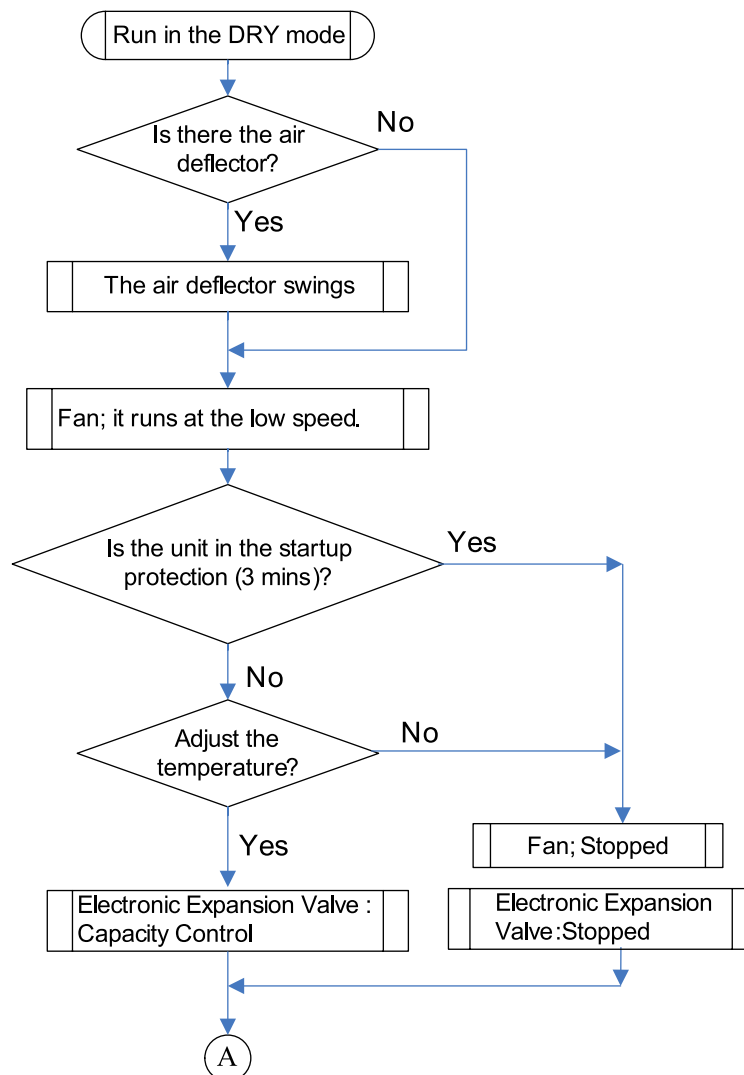
1.2 Heating Operation



1.3 Fan Operation



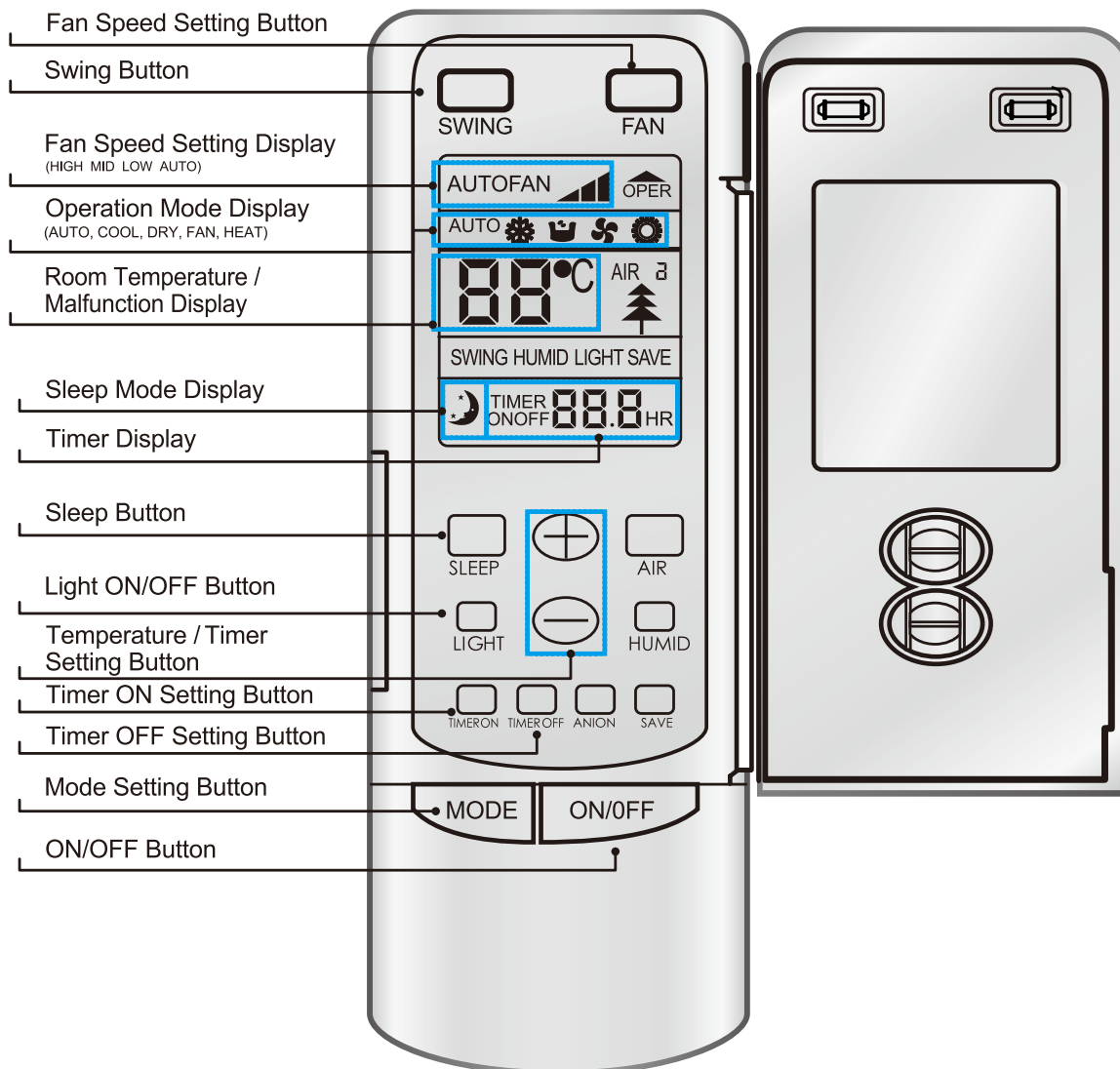
1.4 Dry Operation



2 WIRELESS REMOTE CONTROLLER

This service manual contain two wireless remote controllers Y512 and YB1FA. Y512 is applicable to all VRF indoor unit.YB1FA is applicable to wall mounted type,floor ceiling type,floor and wall mounted type,floor standing type.

2.1 Wireless Remote Controller Y512 (Standard)



Operation procedure

Normal procedure

- 1) Press the ON/OFF button after the unit is energized, then the unit starts operating.
- 2) Press MODE button to choose the desired operation mode.
- 3) Press FAN button to set the fan speed.
- 4) Press +/- button to set the desired temp.

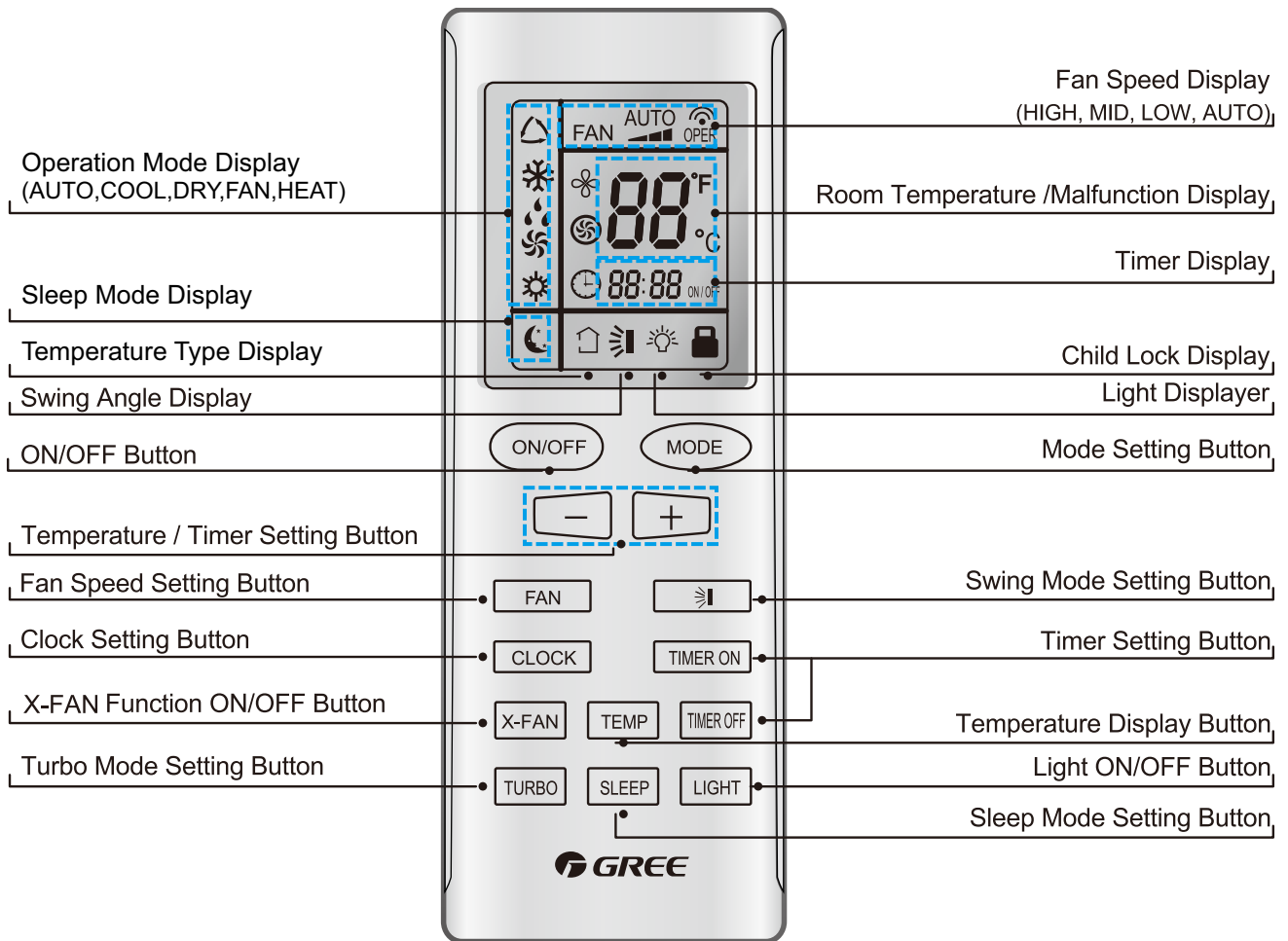
Selectable procedure

- 5) Press SLEEP mode to set the sleep state.
- 6) Press TIMER OFF button to set the time.

NOTE!

After every indoor unit receives the TURN-OFF signal, the fan and electric expansion valve will continue to work for 20-70 seconds to make use of the rest cool or rest heat, preparing for the next operation, which is a normal phenomenon.

2.2 Wireless Remote Controller YB1FA (optional)

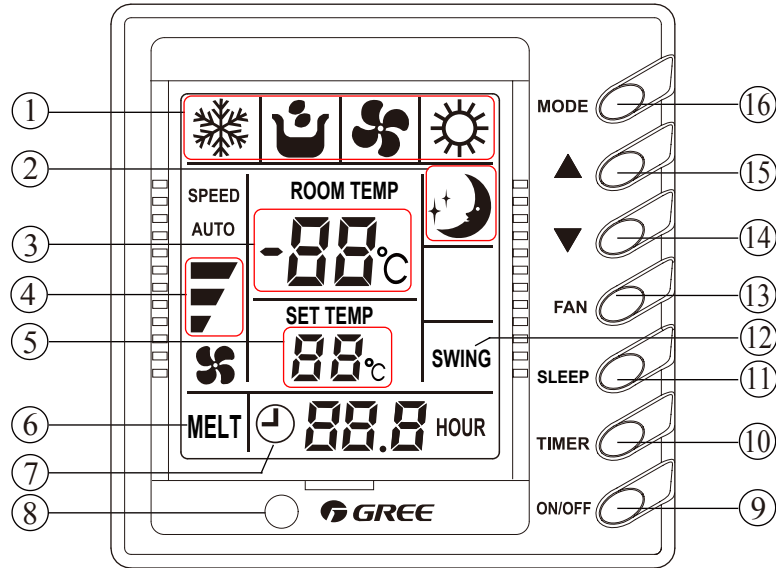


3 WIRED CONTROLLER

Z60351F,Z60151F is applicable to duct type, Z60151F only for cooling only unit.
 Z63351F,Z63151F is applicable to cassette type,wall mounted type,floor ceiling type.Z63151F only for cooling only unit.
 XK02 is applicable to E-Series duct type.

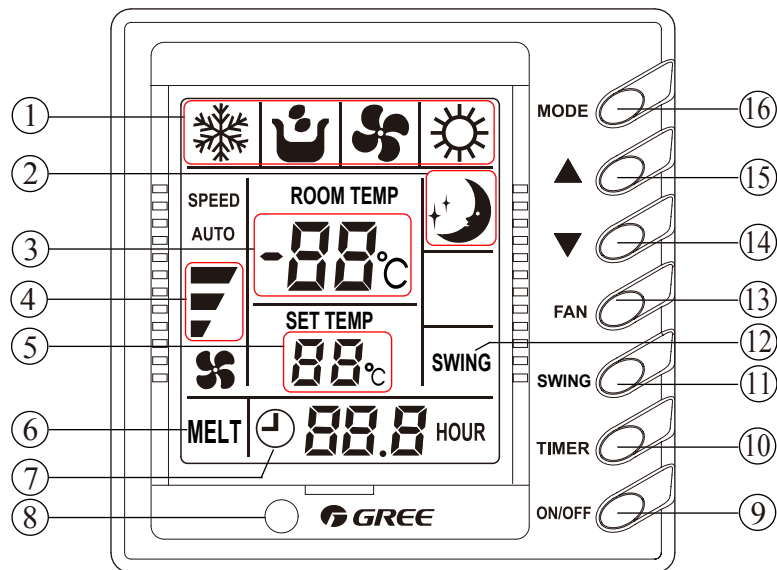
3.1 Wired Controller Z60351F,Z60151F,Z63351F,Z63151F

3.1.1 Operation View



Wired Controller Z60351F,Z60151F

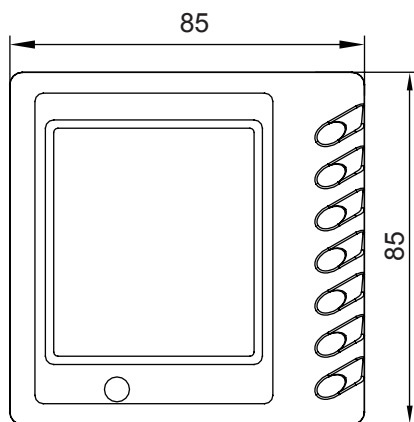
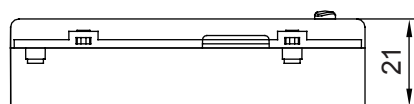
Components of wired remote controller			
1	Operating mode display (Cool, Dry, Fan, Heat)	9	On/Off button
2	Sleep mode display	10	Timer button
3	Environmental temp. display /Malfunction display	11	Sleep button
4	Fan control display (automatic, high, medium, low)	12	Swing display
5	Set Temp. display	13	Fan control button
6	Defrosting display	14	Temp./ Timer decrease button
7	Timer display	15	Temp./ Timer increase button
8	Signal receiver	16	Mode button



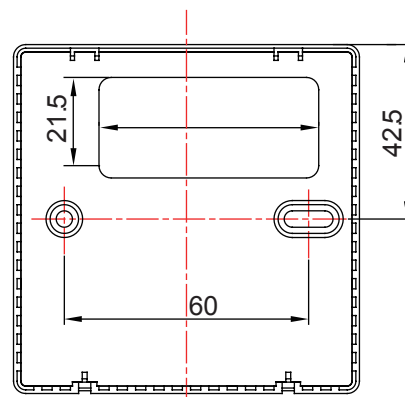
Wired Controller Z63351F,Z63151F

Components of the wired remote controller			
1	Operating mode display (Cool, Dry, Fan, Heat)	9	On/Off button
2	Sleep mode display	10	Timer button
3	Environmental temp.display / Malfunction display	11	Swing button
4	Fan control display (automatic, high, medium, low)	12	Swing display
5	Set Temp. display	13	Fan control button
6	Defrosting display	14	Temp. / Timer reducing button
7	Timer display	15	Temp. / Timer rising button
8	Signal receiver	16	Mode button

3.1.2 Dimension

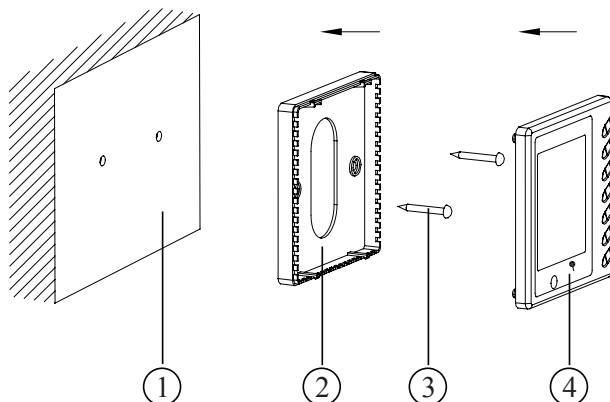


Outline Dimension of Wired Controller



Installation Dimension of Wired Controller

3.1.3 Installation



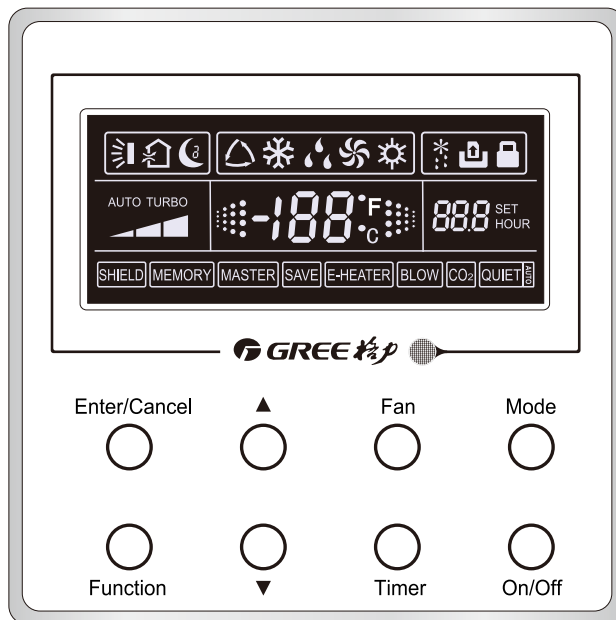
SN	1	2	3	4
Name	Casing Base	Controller Soleplate	Screw M4X25	Controller Panel

Notice for installation under the guidance

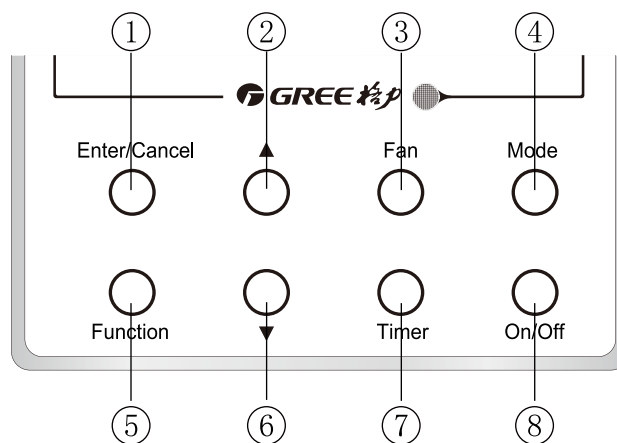
- ①. Cut off power supply before installing the electrical components; it is forbidden to carry out the installation with power on;
- ②. Get one end of the four-wire communication cable through the rectangular hole at the soleplate of the wired remote controller.
- ③. Hold the soleplate against the wall and then fix it with M4*25 screws.
- ④. Insert the four-wire communication cable into the slot on the wired remote controller, and then fix the controller panel with the soleplate together.

3.2 Wired Controller XK02

3.2.1 Operation View

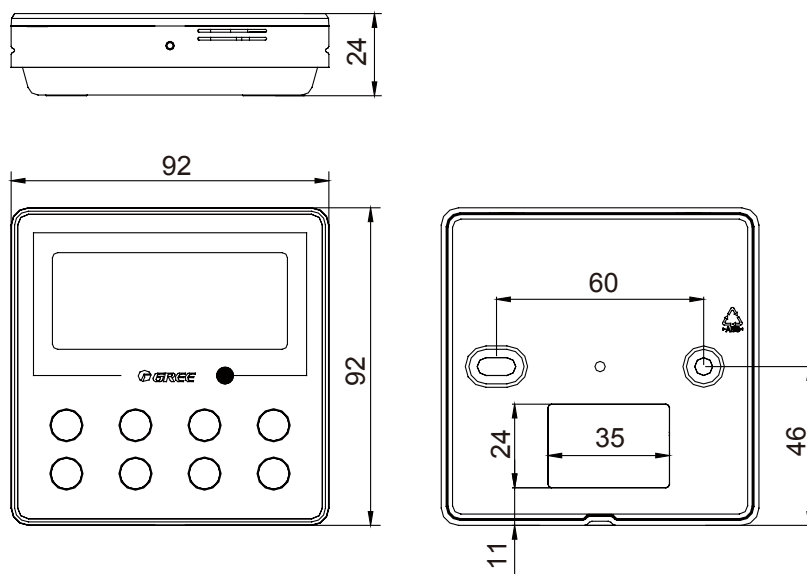


Icon	Name	Function
	Swing	Swing function
	Sleep	Sleep states (3 types: sleep 1, sleep2 and sleep 3)
	Running mode	Running modes of the indoor unit (Cooling, Dry, Fan and Heating)
	Cooling	Cooling mode
	Dry	Dry mode
	Fan	Fan mode
	Heating	Heating mode
	Defrost	Defrosting state
	Gate-control card	Gate control
	Lock	Lock state
	TURBO	Turbo state
	Speed	High, middle, low or auto fan speed of the indoor unit
	Twinkle	It blinks under on state of the unit without operation of any button.
	Temperature	Ambient/preset temperature value
	Timing	Timing state
	SHIELD	Shield state (buttons, temperature, On/Off, Mode or Save is shielded by the remote monitor).
	MEMORY	Memory state (The indoor unit resumes the original setting state after power failure and then power recovery)
	MASTER	Master wired controller
	SAVE	Energy-saving state
	E-HEATER	Electric auxiliary heating state
	BLOW	Blow state
	QUIET	Quiet state(two types: quiet and auto quiet)

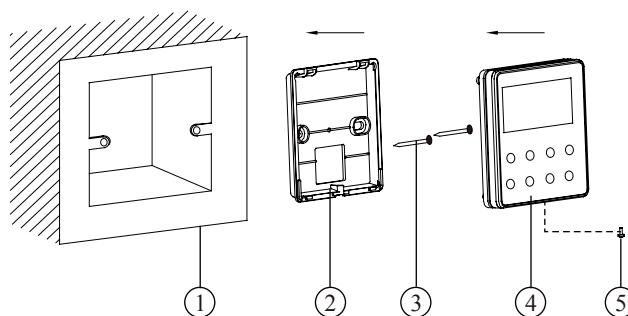


No.	Button(s)	Function(s)
1	Enter/Cancel	1. Function selection and cancellation 2. Press it for 5s to examine the outdoor ambient temperature.
2	▲	1. Running temperature setting of the indoor unit, range:16~30°C 2. Timer setting, range:0.5-24HR
6	▼	3. Switchover between quiet/auto quiet or among sleep1/ sleep2 / sleep3
3	Fan	Setting of the high/middle/low/auto fan speed
4	Mode	Setting of the Cooling/Heating/Fan/Dry mode of the indoor unit
5	Function	Switchover among the functions of Swing/Sleep/Turbo/ Master/Save/E-heater/Blow /Quiet etc.
7	Timer	Timer setting
8	On/Off	Turn on/off the indoor unit
4 + 2	Mode + ▲	Press them for 5s under off state of the unit to enter/cancel the Memory function (If memory is set, indoor unit after power failure and then power recovery will resume the original setting state. If not, the indoor unit is defaulted to be off after power recovery. Memory Off is factory defaulted.)
3 + 6	Fan + ▼	By pressing them at the same time under off state of the unit, ❄️ will be displayed on the wired controller for the cooling only unit, while ❄️🔥 will be displayed on the wired controller for the cooling and heating unit.
2 + 6	▲ + ▼	Upon startup of the unit without malfunction or under off state of the unit, press them at the same time for 5s to enter the lock state, in which case, any other buttons won't respond the press. Repress them for 5s to quit this state.
4 + 5	Mode + Function	1. By pressing them under off state of the unit at the same time, the address of the wired controller will be displayed at once; 2. By pressing them for 5s under off state of the unit at the same time, the address setting is available.
1 + 5	Enter/Cancel + Function	By pressing them simultaneously, the address of the master wired controller will be displayed.
2 + 5	▲ + Function	By pressing them for 5s under off state of the unit at the same time, the control of the master wired controller can be canceled.
4+6	Mode + ▼	When the unit is turned off, press them for 5 seconds simultaneously, display panel will switch between °C and °F.
5+6	Function+ ▼	In any conditions, press them for 5 seconds to review status. Under reviewing status, Mode changes to "00" in temp display area and press "▲"/"▼" to adjust the display. Timer display area will show the serial number of error and error code. The final error shown is the 5th error.

3.2.2 Dimension



3.2.3 Installation of Wired Controller



No.	1	2	3	4	5
Name	Casing Base	Soleplate	Screw M4X25	Control Panel	Screw ST2.9X6

Notice for installation under the guidance

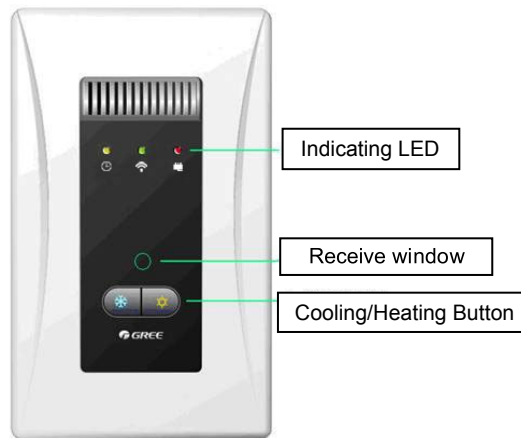
- ①. Cut off power supply before installing the electrical components; it is forbidden to carry out the installation with power on;
- ②. Get one end of the four-wire communication cable through the rectangular hole at the soleplate of the wired remote controller.
- ③. Hold the soleplate against the wall and then fix it with M4X25 screws.
- ④. Insert the four-wire communication cable into the slot on the wired remote controller, and then fix the controller panel with the soleplate together.
- ⑤. At last, fix the controller's front panel and soleplate with screws ST2.9X6.

NOTE: See the VRF Outdoor Unit Service Manual for other detailed control information related to the regional controller ZJA011, smart zone controller CE50-24/E, centralized controller CE51-24/E(M), and key-card control board MK03 etc.

4 RECEIVER

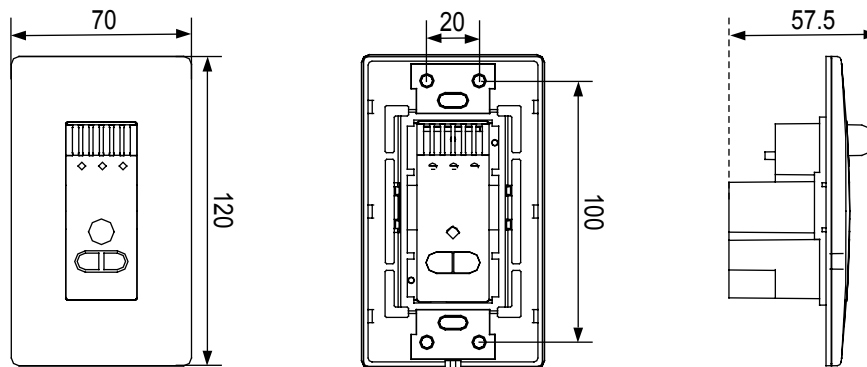
Operation Instruction to Receiver of Ducted Type Indoor Units

Outline Drawing



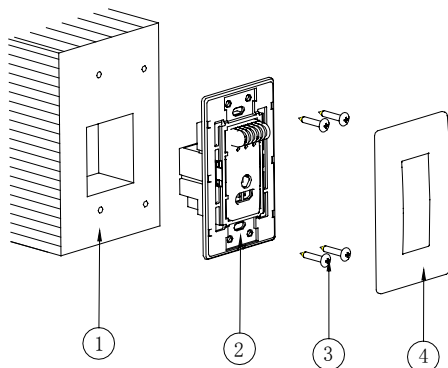
◆ Dimensions Data

Unit:mm



◆ Installation:

- Select the installation location for the receiver in accordance with the dimension of the communication wire and also for the unit, and keep a notch and a embedding groove for their installation.
- Drill holes on the mounting wall in accordance with the figure below, and fill each hole with foaming plastic.
- Embed the communication wire and fix the receiver with screws, after that, replace the front panel.



No.	Name
1	Wall or Ceiling
2	Receiver
3	Screw
4	Front Panel

◆ Setting Procedure

Step 1: The unit is in the state without power.

Step 2: Set S7 functional DIP switch.If receiver is selected, the S7 functional DIP switch on mainboard should be set.

INSTALLATION

INSTALLATION

1 KEY POINTS OF INSTALLATION

Installation Procedures		Description and Acceptance Criteria
Material Selection and Equipment Inspection		1) The materials specified on the engineering drawing shall be purchased as specified (e.g. copper tube, thermal insulation tube, PVC pipe, power cables, air switch, etc); 2) The materials not specified on the engineering drawing shall be purchased according to the actual need. (e.g. hanger frame, cable duct, etc); 3) Check if the outdoor unit, indoor unit, communication wires and accessories are all ready.
Installation of indoor unit	Communication Wire	Connection 1) The power cables shall be separated from communication wires at a least distance of 10cm. 2) To avoid breaking the communication wires, do not pull or drag it forcefully. 3) For multiple units, please mark them properly. 4) Switch on indoor and outdoor unit, and ensure there is no display of "Communication Wire Error E6".
		Address Code 1) Each indoor unit under the same system has a unique address code. 2) The wired controller and its corresponding indoor unit have the same address code.
	Remote Control 1) Select the remote control mode; 2) The centralized controller and communication module shall be installed free from the source of interference.	
	Power Cord 1) The power cable must meet the specifications. 2) All indoor unit must be powered through the uniform power supply.	
	Drainage Pipe	Installation 1) The PVC pipes must meet the specifications. 2) A specific gradient must be provided along the water flow direction. 3) Carry out leak detection after installation. 4) Carry out thermal insulation to the drainage pipe only after the leak detection is accepted.
		Thermal Insulation 1) The insulation must comply with the specifications. 2) Seal the insulation to guarantee good airproof performance.
	Installation of Air Duct (For high static pressure duct-type unit) 1) Design the length of air duct according to static pressure; 2) The air inlet shall be sized properly and optimally.	

Remarks:

- 1) Described above are general working procedures. The procedures might vary with the site conditions.
- 2) For detailed installation rules, please see the description in each chapter.

2 INSTALLATION OF INDOOR UNIT

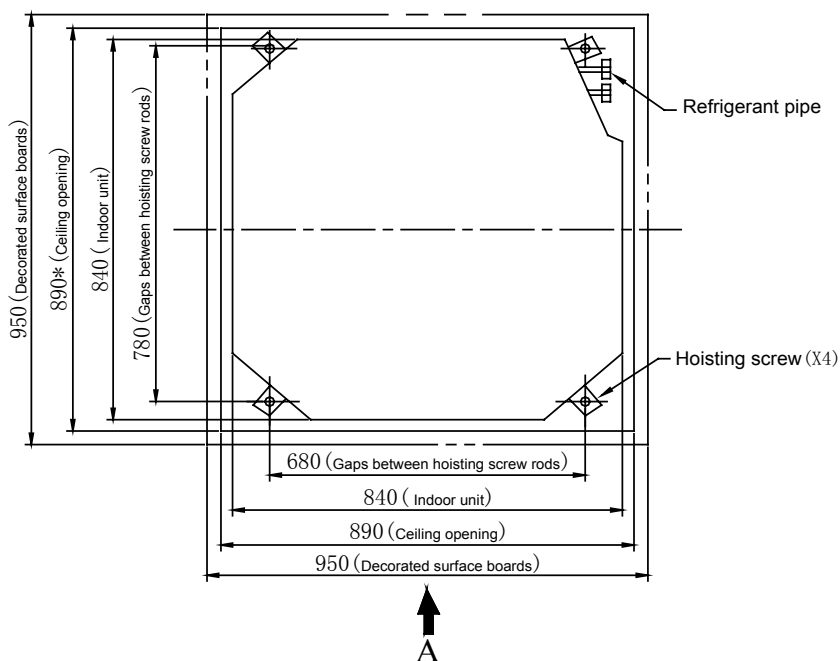
2.1 Cassette Type

2.1.1 Four-way Cassette Type

(1) Dimensions Data

Unit:mm

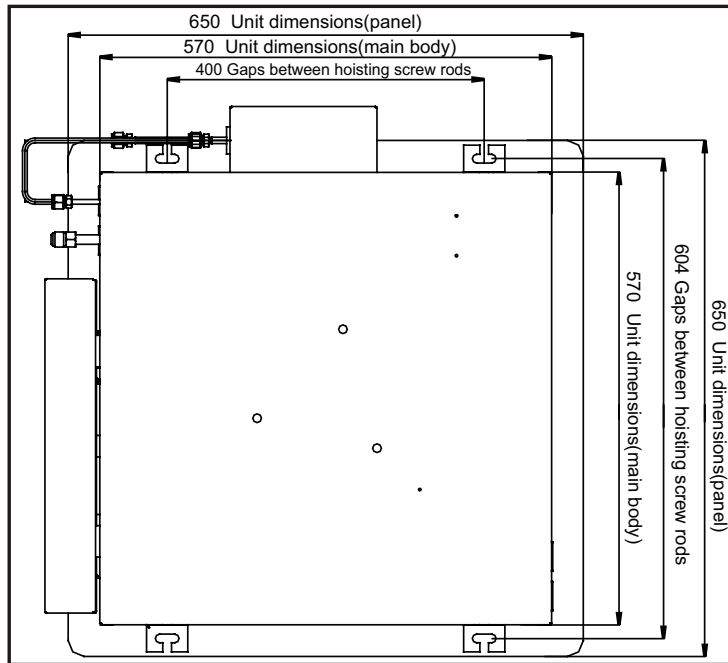
GMV(L)-R28T/Na-K~GMV(L)-R140T/Na-K.



Model	Package Dimension	Width	Depth	Height
GMV(L)-R28T/Na-K		950	950	210
GMV(L)-R36T/Na-K		950	950	210
GMV(L)-R45T/Na-K		950	950	210
GMV(L)-R50T/Na-K		950	950	210
GMV(L)-R56T/Na-K		950	950	310
GMV(L)-R63T/Na-K		950	950	310
GMV(L)-R71T/Na-K		950	950	310
GMV(L)-R80T/Na-K		950	950	310
GMV(L)-R90T/Na-K		950	950	340
GMV(L)-R100T/Na-K		950	950	340
GMV(L)-R112T/Na-K		950	950	340
GMV(L)-R125T/Na-K		950	950	340
GMV(L)-R140T/Na-K		950	950	340

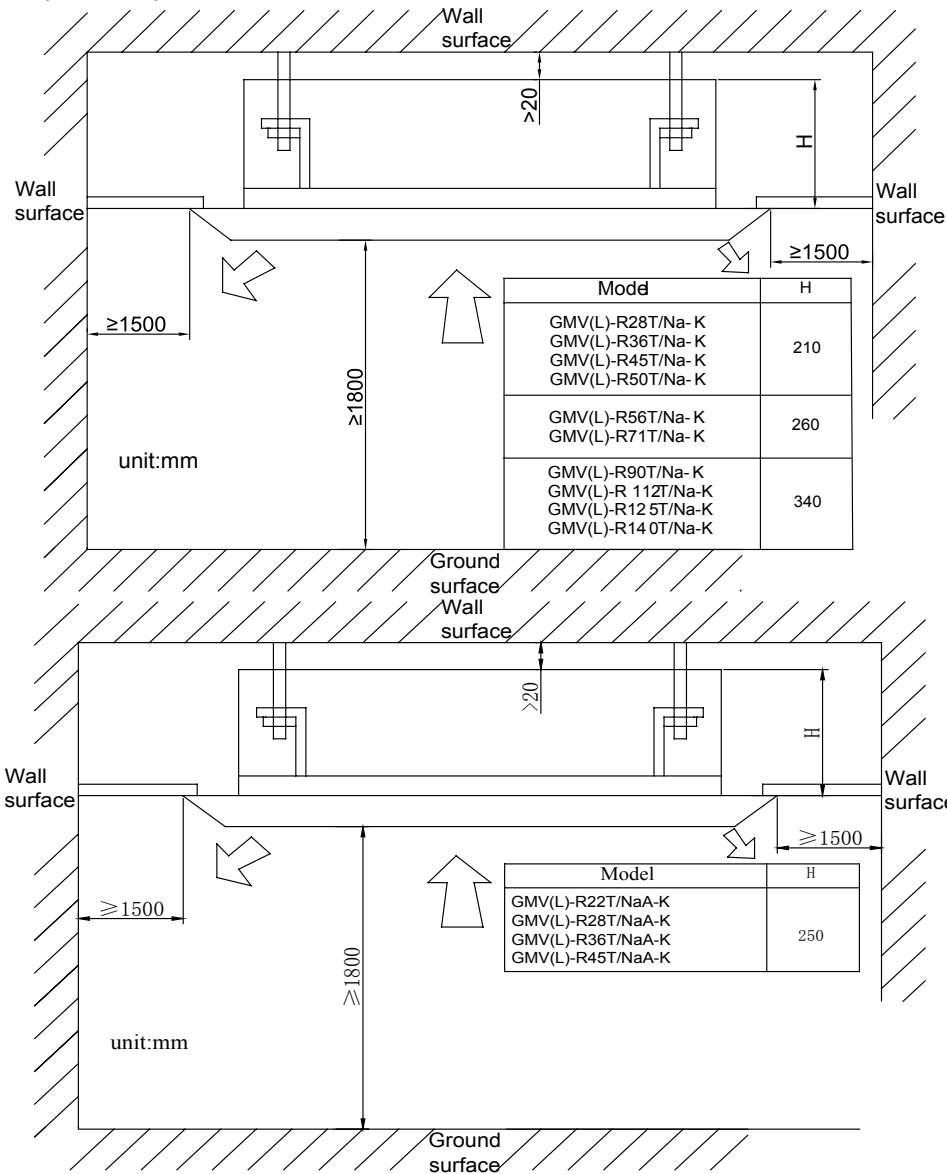
GMV(L)-R22T/ NaA-K~GMV(L)-R45T/ NaA-K.

Unit:mm

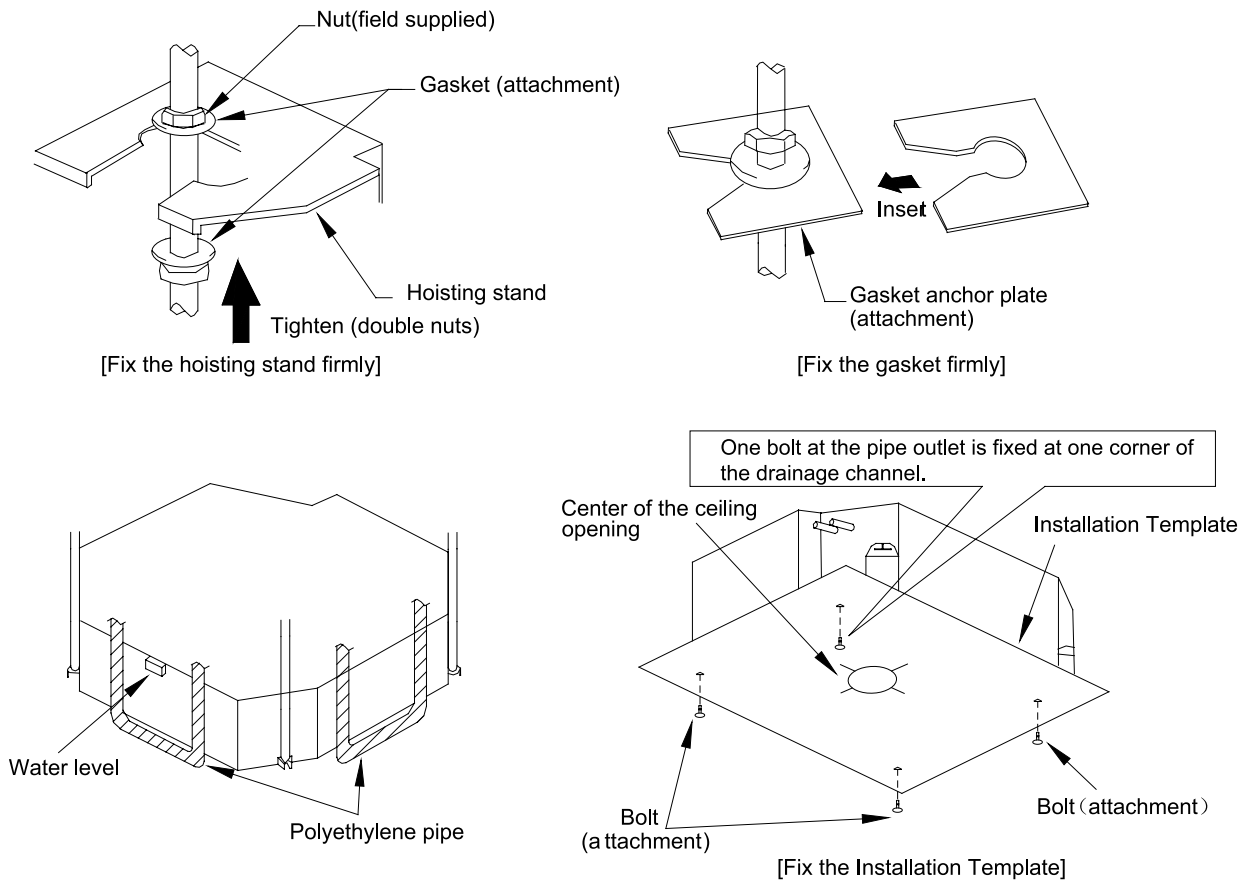


(2) Installation Space Requirements

Unit:mm



(3) Installation

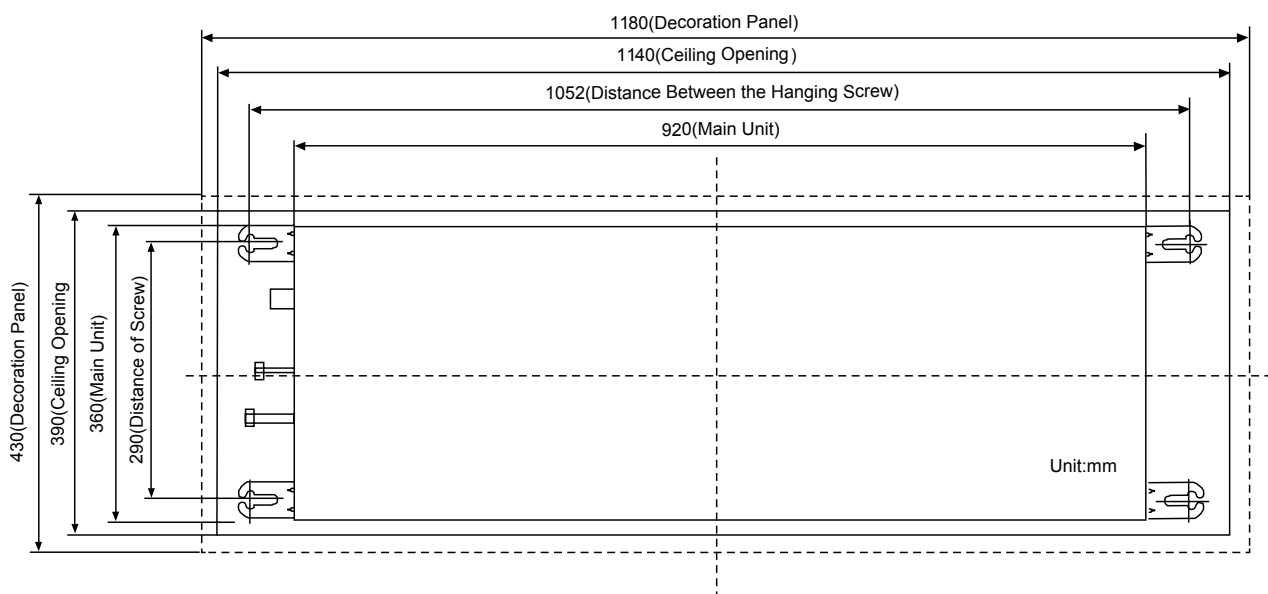


2.1.2 One-way Cassette Type

(1) Dimensions Data

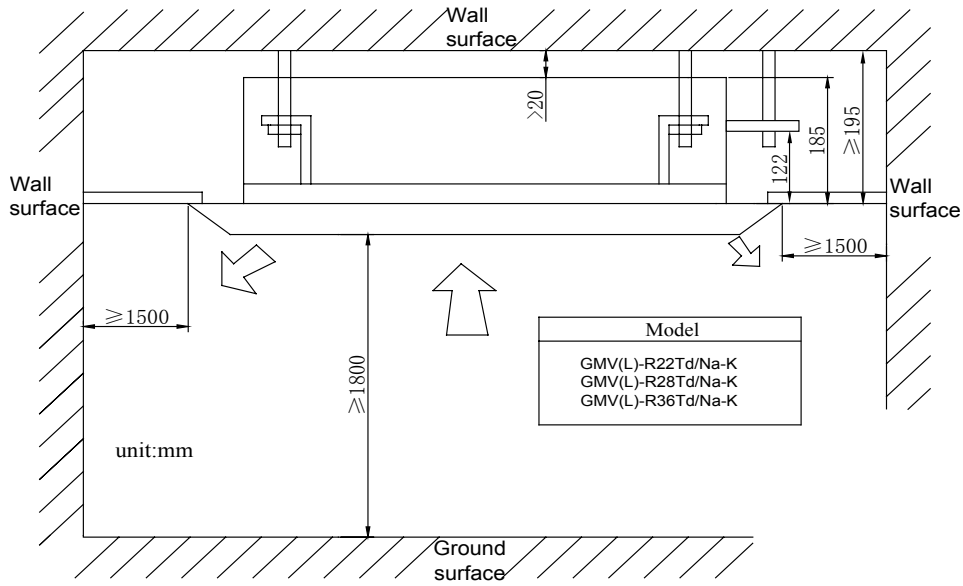
Unit:mm

GMV(L)-R22Td/ Na-K~GMV(L)-R36Td/ Na-K.

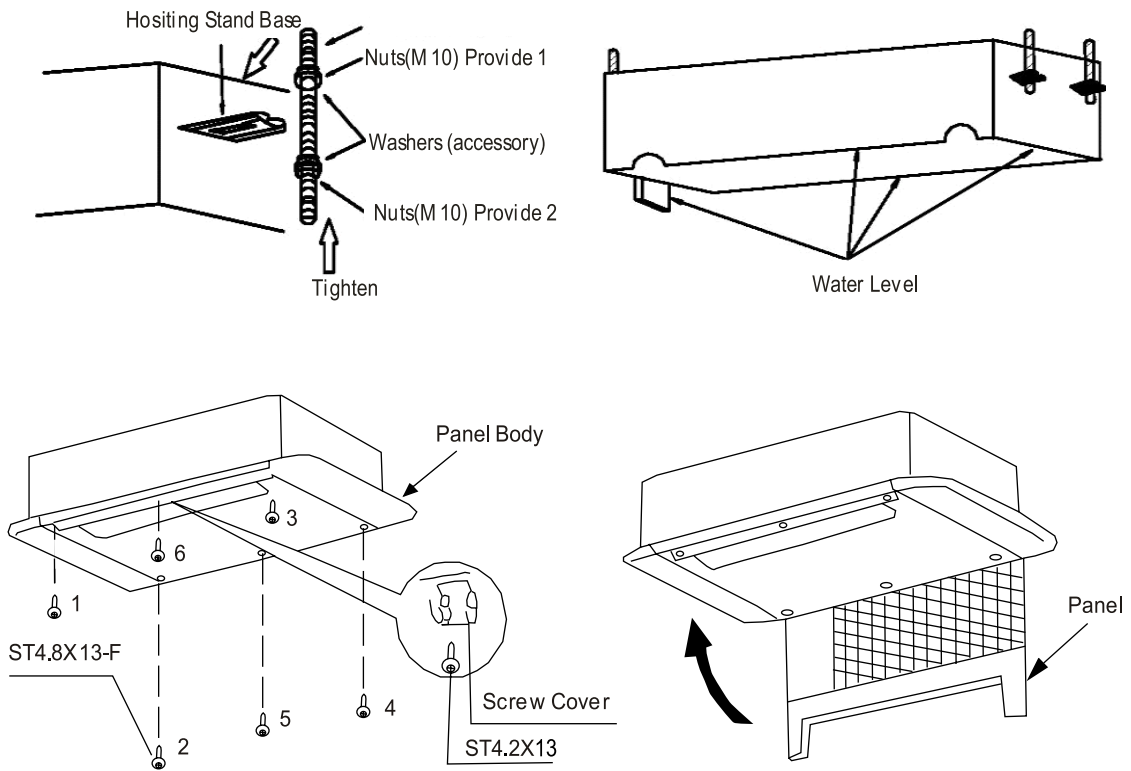


(2) Installation Space Requirements

Unit:mm



(3) Installation

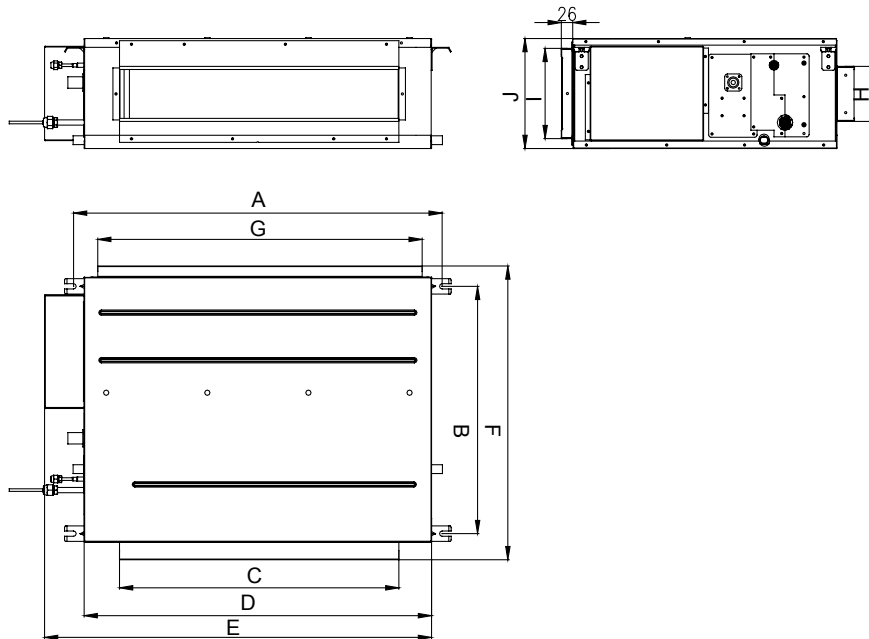


2.2 Duct Type

(1) Dimensions Data

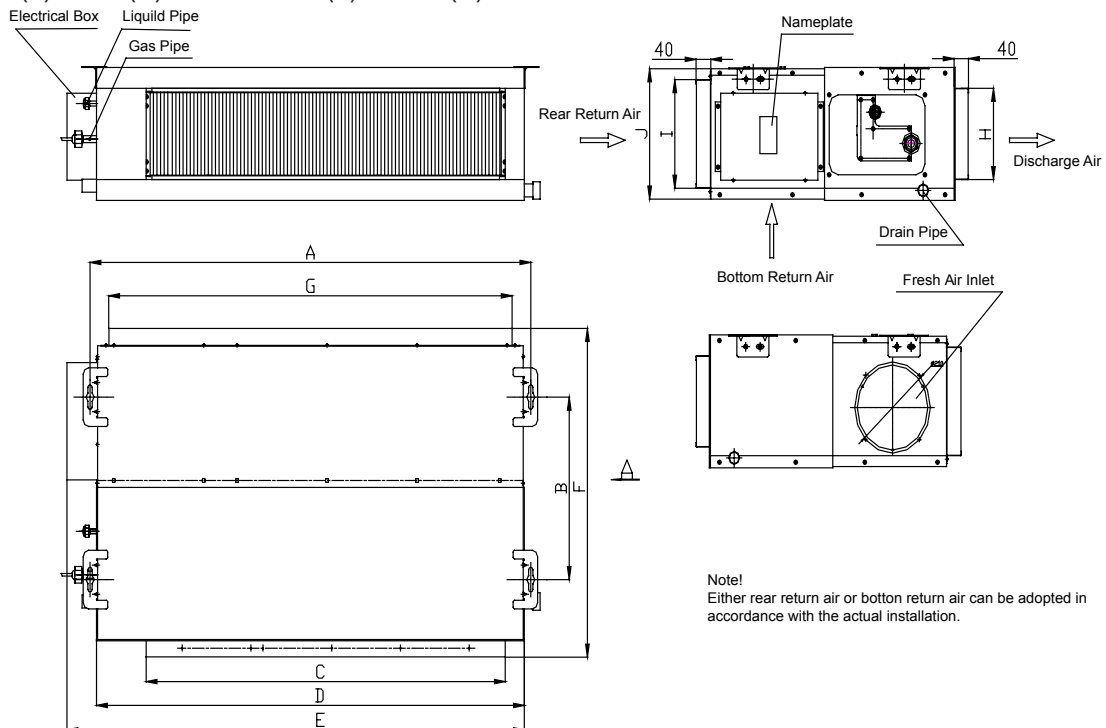
Unit:mm

GMV(L)-R22P(S)/NaB-K~GMV(L)-R36P(S)/NaB-K.



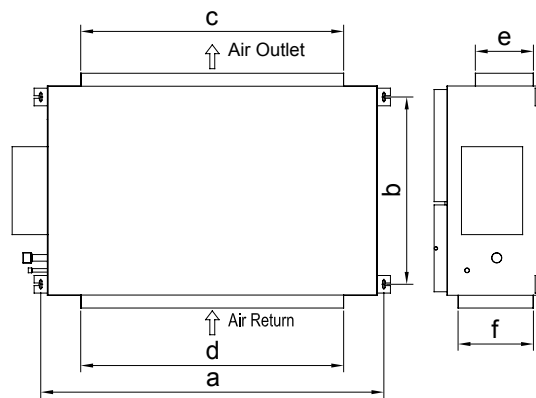
Model \ Item	A	B	C	D	E	F	G	H	I	J
GMV(L)-R22P/NaB-K GMV(L)-R22PS/NaB-K	838	561	667	125	635	790	880	205	250	738
GMV(L)-R28P/NaB-K GMV(L)-R28PS/NaB-K										
GMV(L)-R36P/NaB-K GMV(L)-R36PS/NaB-K										

GMV(L)-R45P(S)/NaB-K~GMV(L)-R140P(S)/NaB-K.



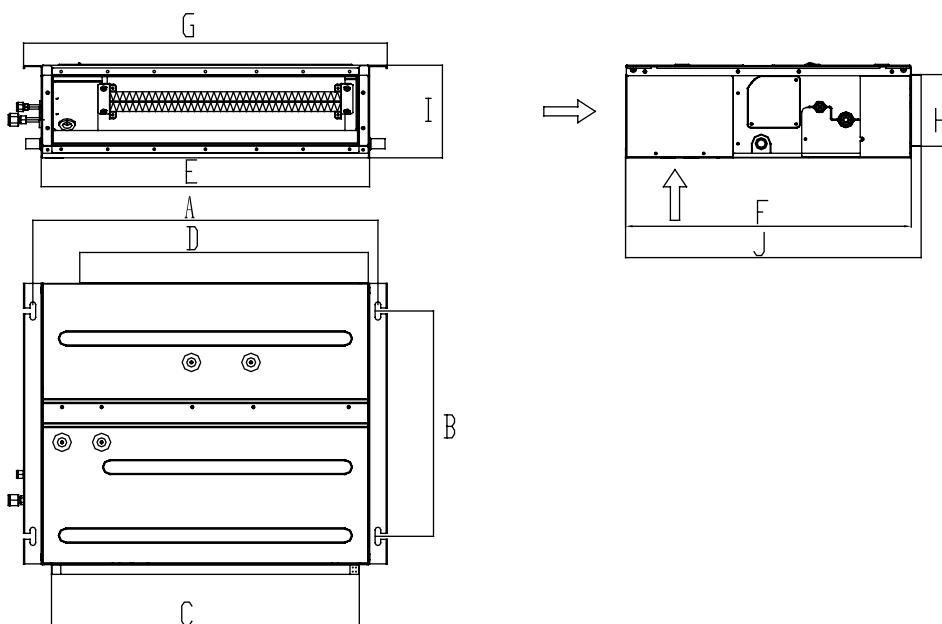
Model \ Item	A	B	C	D	E	F	G	H	I	J
GMV(L)-R45P/NaB-K GMV(L)-R45PS/NaB-K	932	430	738	892	980	736	738	125	203	266
GMV(L)-R56P/NaB-K GMV(L)-R56PS/NaB-K	1114	420	918	1074	1112	736	918	207	207	300
GMV(L)-R71P/NaB-K GMV(L)-R71PS/NaB-K										
GMV(L)-R90P/NaB-K GMV(L)-R90PS/NaB-K	1382	420	1155	1340	1425	756	1278	207	250	300
GMV(L)-R112P/NaB-K GMV(L)-R112PS/NaB-K										
GMV(L)-R140P/NaB-K GMV(L)-R140PS/NaB-K	1382	420	1155	1340	1463	756	1278	207	250	300

GMV-R224P/ NaB-M, GMV-R280P/ NaB-M.



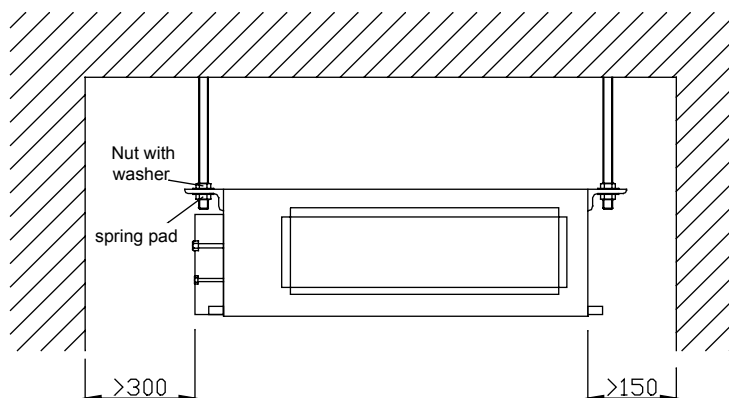
Model	a	b	c	d	e	f
GMV-R224P/ NaB-M GMV-R280P/ NaB-M	1560	910	1194	1194	292	342

GMV(L)-R22PS/NaE-K~GMV(L)-R71PS/NaE-K.



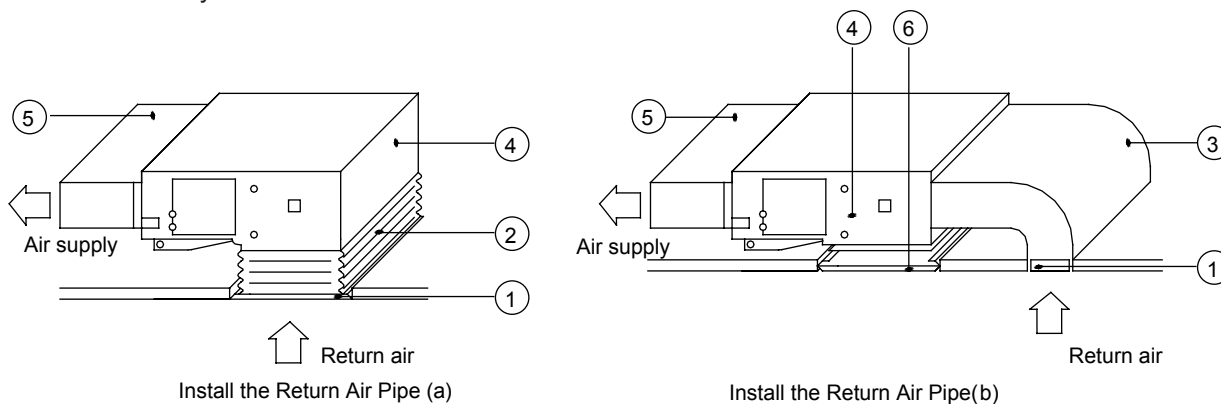
Model \ Item	A	B	C	D	E	F	G	H	I	J
GMV(L)-R22PS/NaE-K	742	491	662	620	700	615	782	156	200	635
GMV(L)-R28PS/NaE-K										
GMV(L)-R36PS/NaE-K										
GMV(L)-R45PS/NaE-K	942	491	862	820	900	615	982	156	200	635
GMV(L)-R56PS/NaE-K										
GMV(L)-R71PS/NaE-K	1142	491	1062	1020	1100	615	1182	156	200	635

(2) Installation Space Requirements



(3) Installation

◆ Selection of style of return air



Install the Return Air Pipe (a)

Install the Return Air Pipe(b)

Installation of the return air pipe

No.	Name	No.	Name
1	Return air vent (with filter)	4	Indoor unit
2	Canvas air pipe	5	Air supply pipe
3	Return air pipe	6	Test grill

◆ Installation the fresh air pipe

A. When the fresh air pipe is needed to be connected, cut the fresh air baffle as shown in fig.a, and plug up the gap of the fresh air baffle by sponge if the fresh air pipe is not be used.

B. Install the round flange so that the fresh air pipe can be connected as fig.b

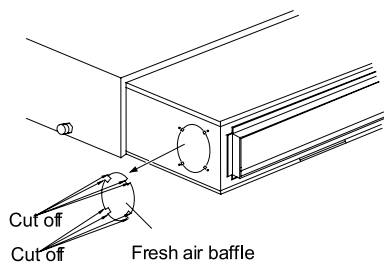


fig.a

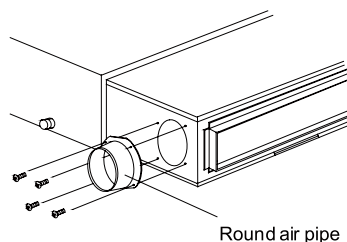
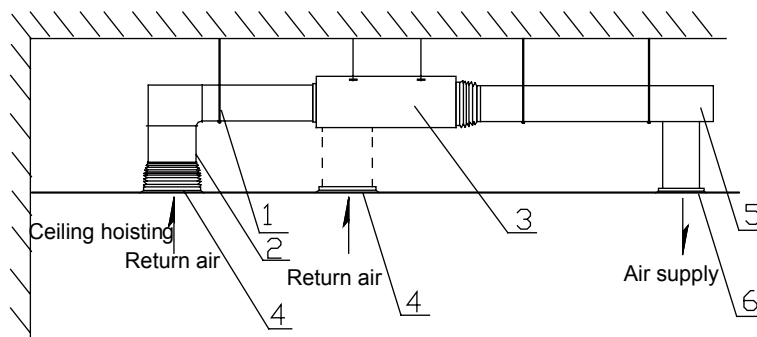


fig.b

C. Sealing and heat insulation should be done for both the air pipe and round flange pipe.

D. Fresh air should be treated via the air filter.

◆ Installation of the air supply pipe



Installation of the Air Supply Pipe

No.	1	2	3	4	5	6
Name	Hoisting	Return air pipe	Ducted type indoor unit	Return air inlet	Air supply bend	Air outlet

◆ Access hole

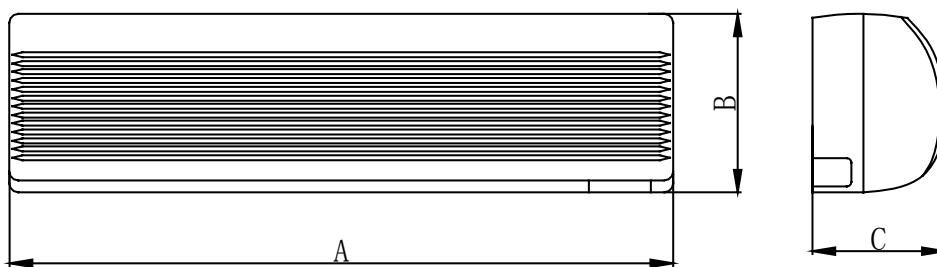
After installation of the concealed duct type unit, a access hole must be prepared in the ceiling on the electric box side of the indoor unit, and the following considerations must be taken.

- a. the acces hole shall be sized larger than the 500*500mm.
- b. the access hole is easily accessible for repair of the electric parts and pipes.
- c. the air inlet may be taken as the access hole for repair of the motor.

2.3 Wall Mounted Type

(1) Dimensions Data

Unit:mm

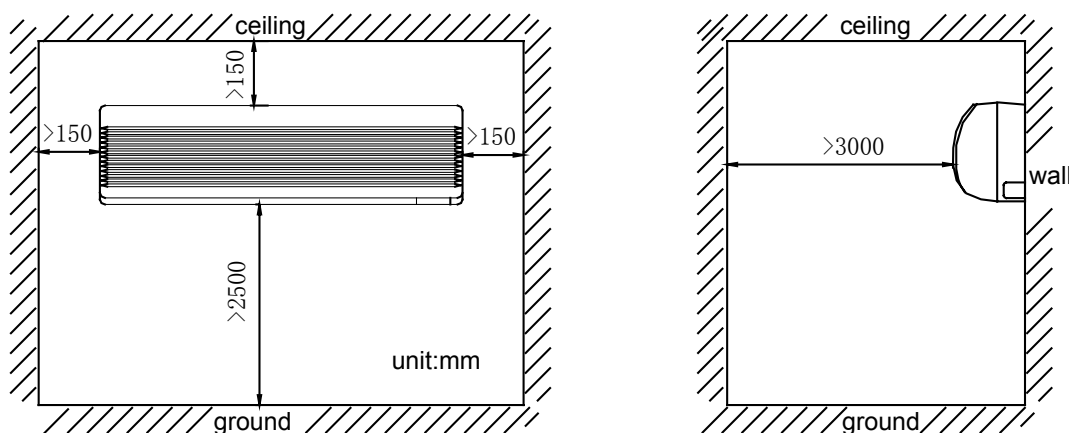


Model	GMV(L)-R22G/NaB-K GMV(L)-R22G/NaC-K	GMV(L)-R28G/NaB-K GMV(L)-R28G/NaC-K	GMV(L)-R36G/NaB-K GMV(L)-R36G/NaC-K	GMV(L)-R45G/NaB-K GMV(L)-R45G/NaC-K
A	770	770	830	830
B	250	250	285	285
C	190	190	189	189

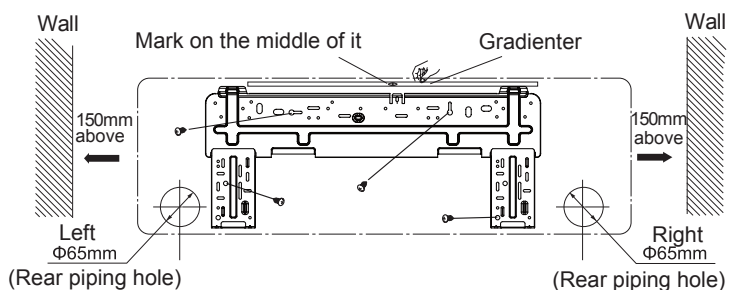
Model	GMV(L)-R50G/NaB-K	GMV(L)-R56G/NaB-K
A	1020	1020
B	310	310
C	228	228

Model	GMV(L)-R22G/NaG-K GMV(L)-R28G/NaG-K	GMV(L)-R36G/NaG-K GMV(L)-R45G/NaG-K GMV(L)-R50G/NaG-K	GMV(L)-R356G/NaG-K GMV(L)-R63G/NaG-K GMV(L)-R71G/NaG-K
A	843	940	1008
B	275	298	319
C	180	200	221

(2) Installation Space Requirements



(3) Installation

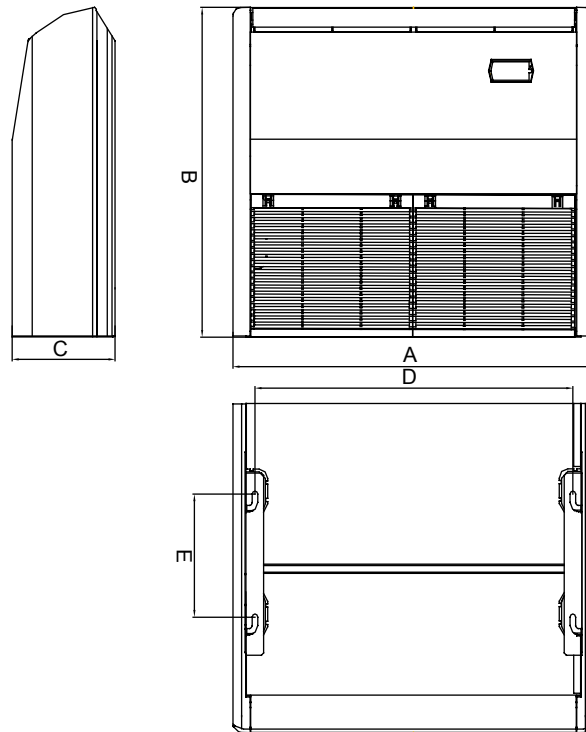


Mounting plate should be installed horizontally. As the drain pan's outlet for the indoor unit is two-way type, during installation, the indoor unit should slightly slant to Drain Pan's outlet for smooth drainage of condensed water.

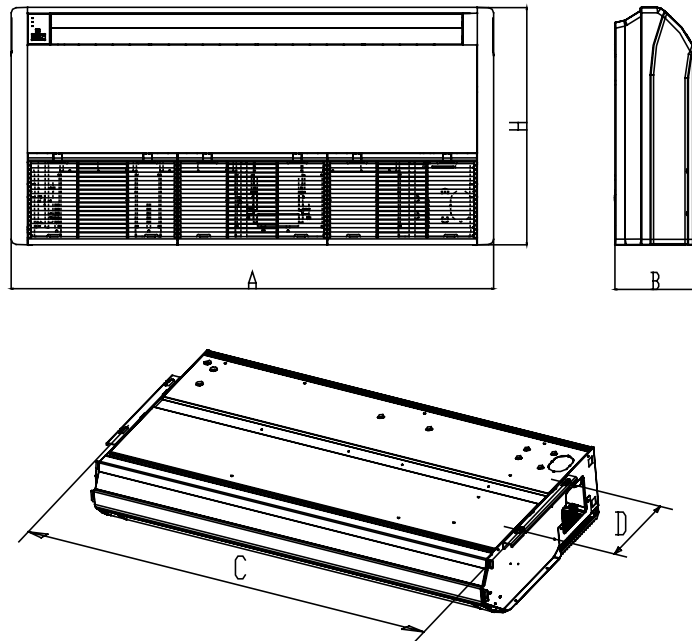
2.4 Floor Ceiling Type

(1) Dimensions Data

Unit:mm



Model	Installation dimensions		Outline dimensions		
	E	D	A	B	C
GMVL-R28Zd/Na-K GMV-R28Zd/Na-K	260	745	840	695	238
GMVL-R36Zd/Na-K GMV-R36Zd/Na-K	260	745	840	695	238
GM(L-R50Zd/Na-K GMV-R50Zd/Na-K	260	745	840	695	238
GMVL-R71Zd/Na-K GMV-R71Zd/Na-K	260	1220	1300	600	188
GMVL-R90Zd/Na-K GMV-R90Zd/Na-K	260	1500	1590	695	238
GMVL-R112Zd/Na-K GMV-R112Zd/Na-K	260	1500	1590	695	238
GMVL-R125Zd/Na-K GMV-R125Zd/Na-K	260	1500	1590	695	238

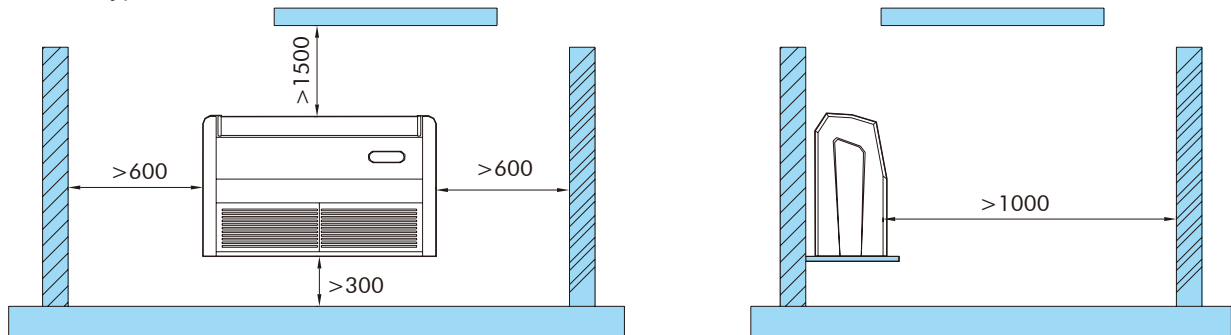


Model	A	B	H	C	D
GMV-R28Zd/NaB-K	1220	225	700	1158	280
GMV-R36Zd/NaB-K					
GMV-R50Zd/NaB-K					
GMV-R71Zd/NaB-K	1420	245	700	1354	280
GMV-R90Zd/NaB-K					
GMV-R112Zd/NaB-K	1700	245	700	1634	280
GMV-R125Zd/NaB-K					
GMV-R140Zd/NaB-K					

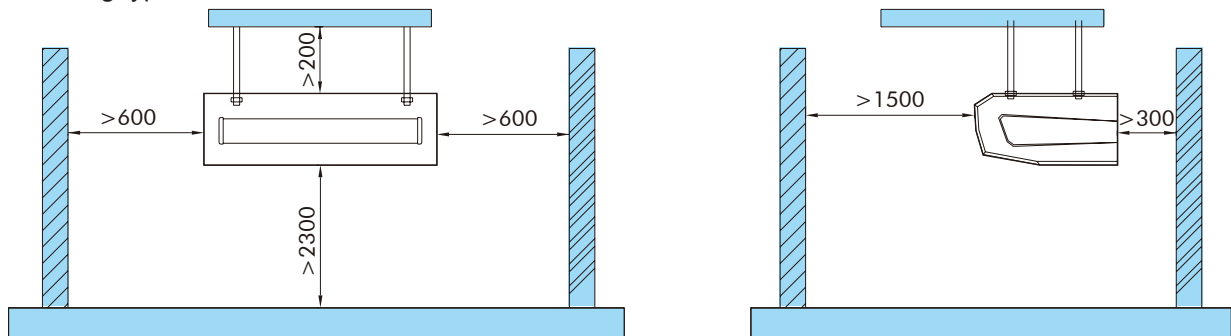
(2) Installation Space Requirements

Unit:mm

◆ Floor type

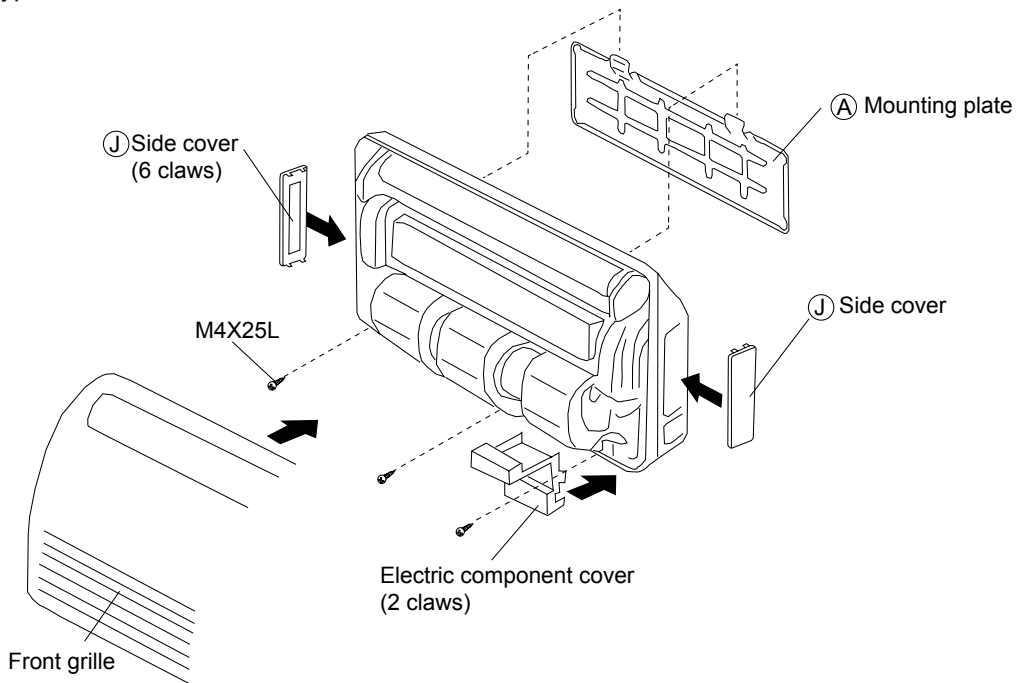


◆ Ceiling type

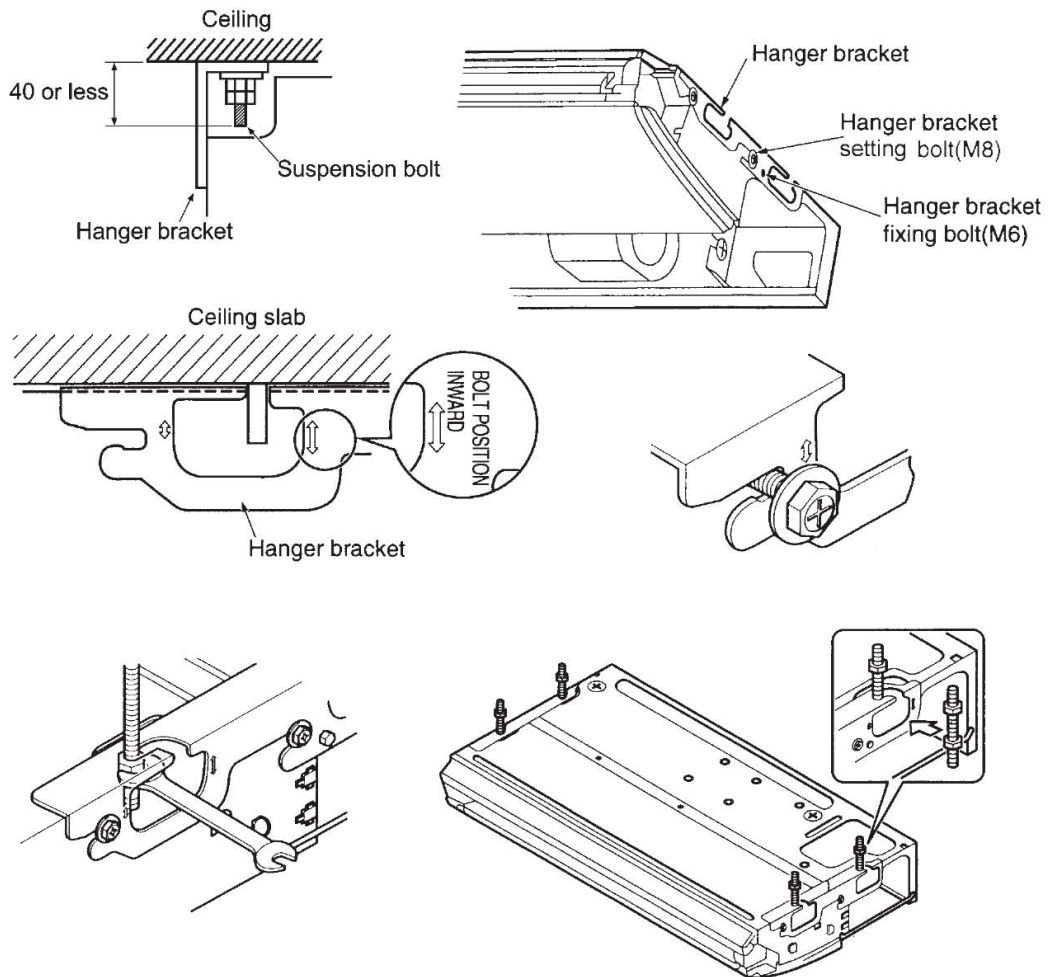


(3) Installation

◆ Floor type

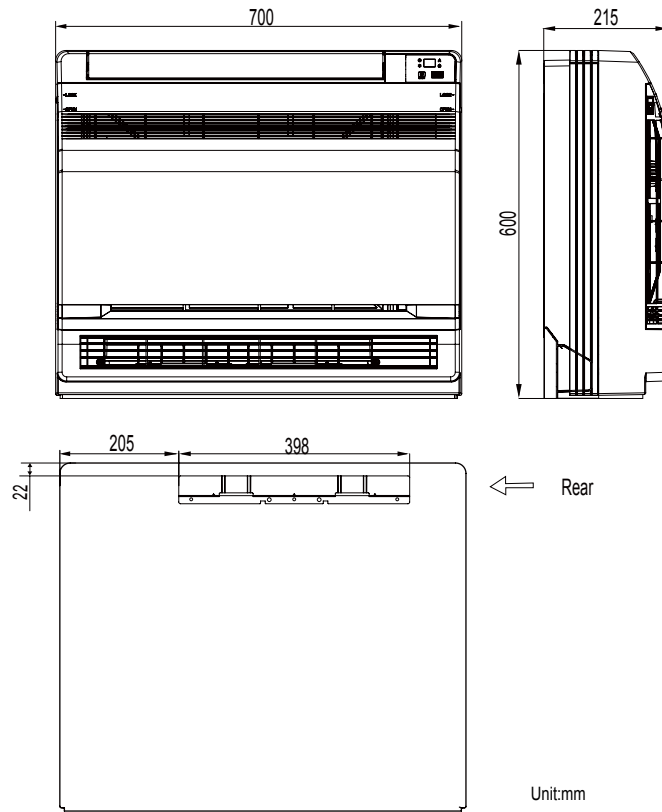


◆ Ceiling type



2.5 Floor and Wall Mounted Type

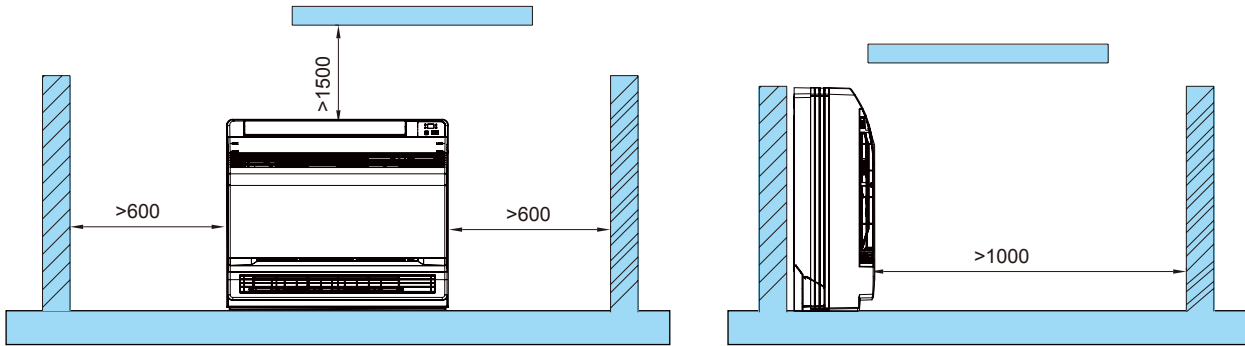
(1) Dimension Data



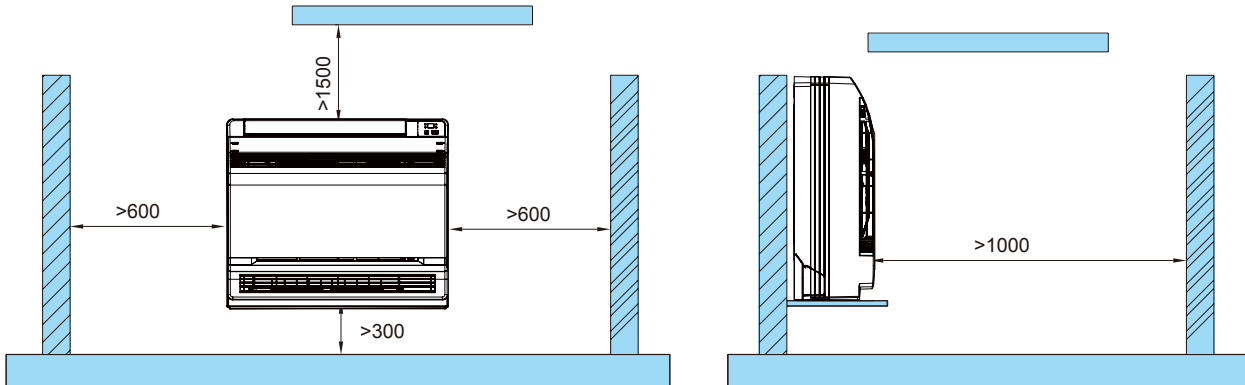
(2) Installation Space Requirements

Unit:mm

◆ Floor type



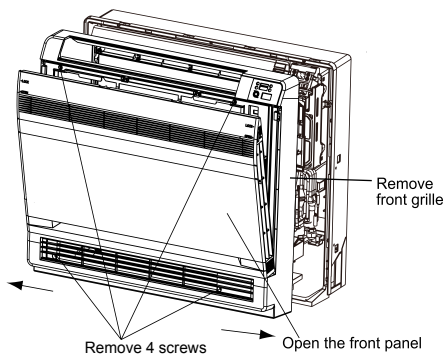
◆ Wall mounted type



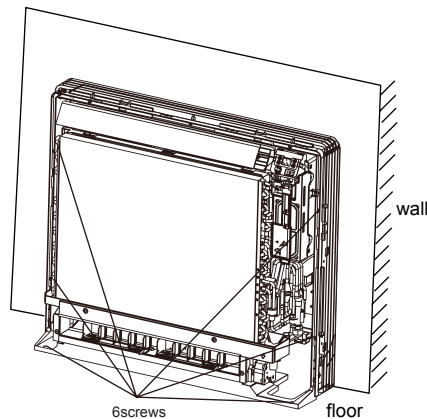
(3) Installation

Floor Installation

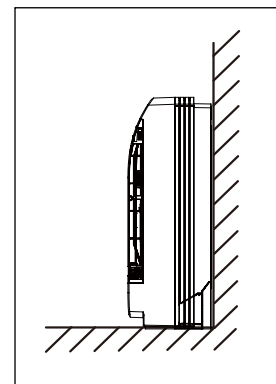
(a) Open the front panel



(b) Secure to the rear panel on the wall

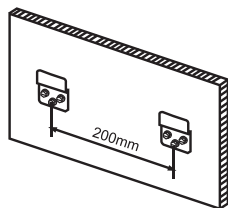


(c) Installation is finished

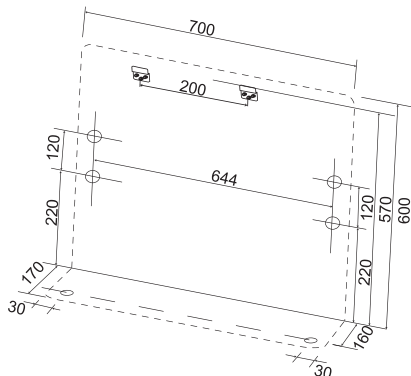


Wall mounted Installation

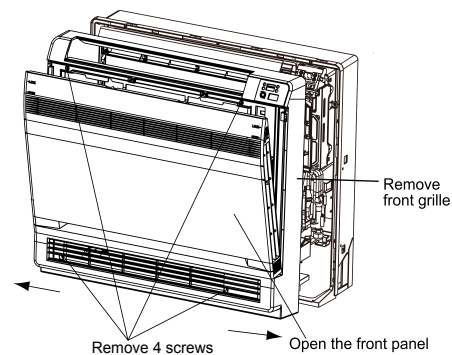
(a) Install the hooks



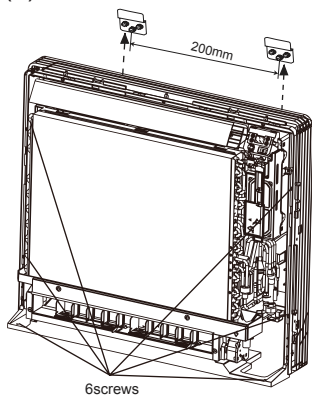
(b) Mark the positioning holes on the wall



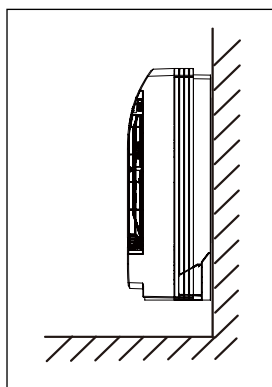
(c) Open the front panel



(d) Fix the screws



(e) Installation is finished

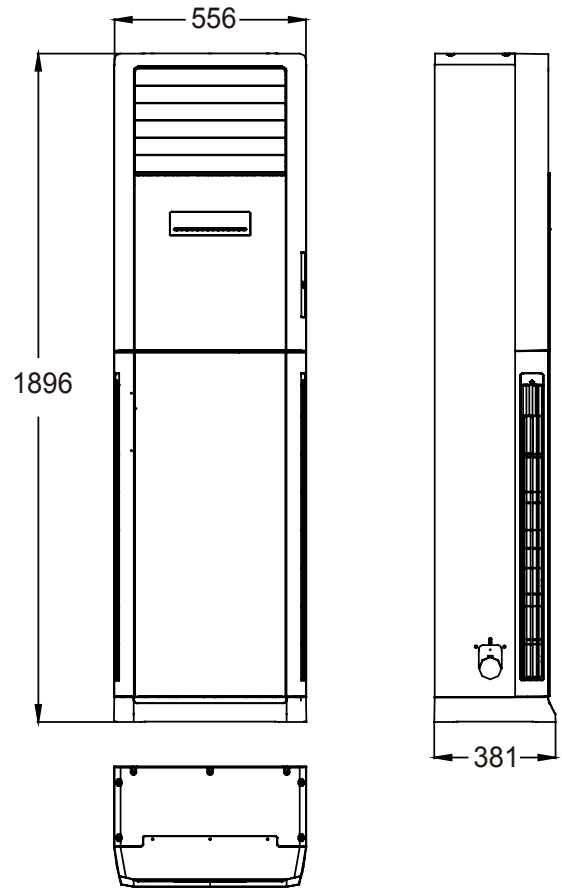
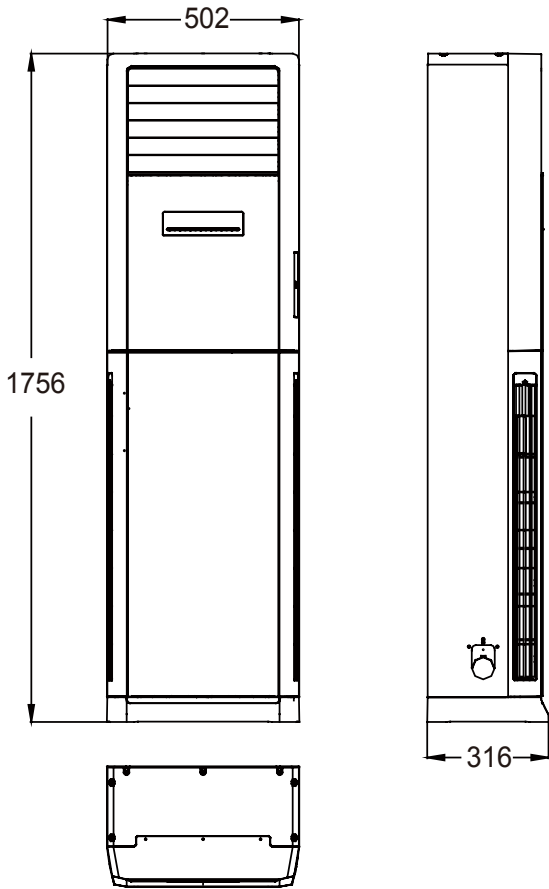


2.6 Floor Standing Type

(1) Dimensions Data
GMV-R71L/Na-K

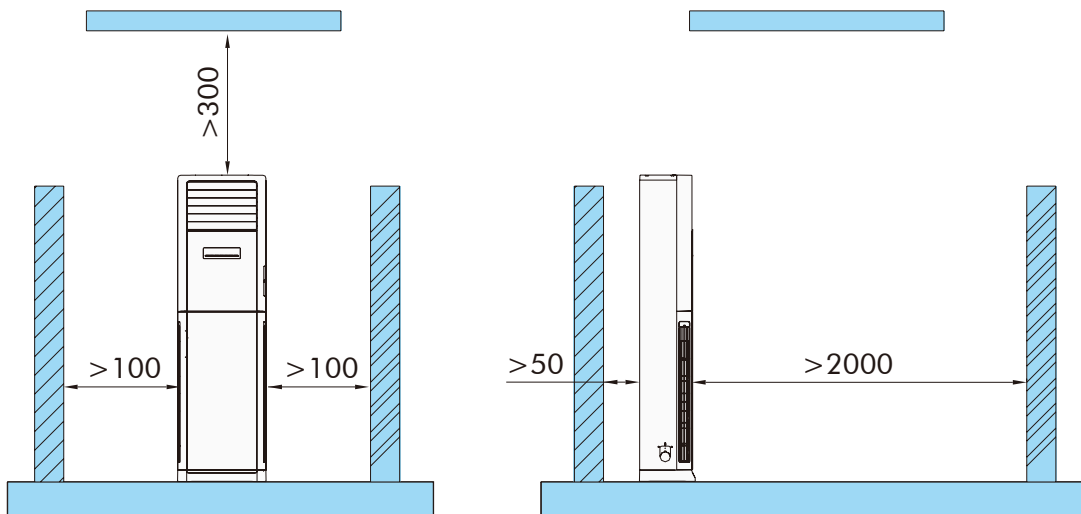
Unit:mm

GMV-R100L/Na-K,GMV-R140L/Na-K



(2) Installation Space Requirements

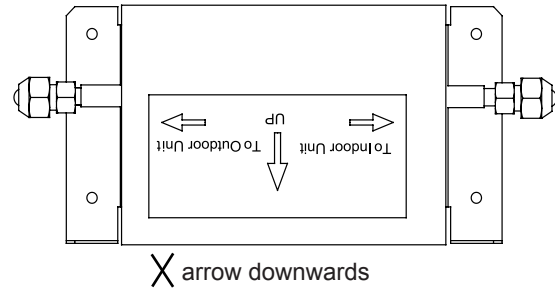
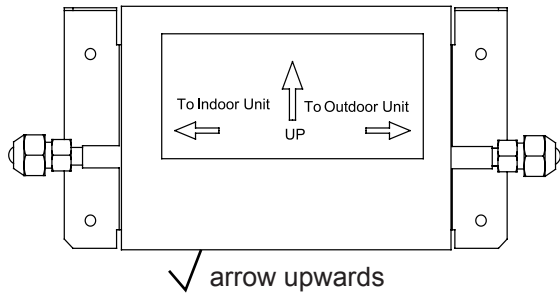
unit:mm



3 INSTALLATION OF ELECTRONIC EXPANSION VALVE

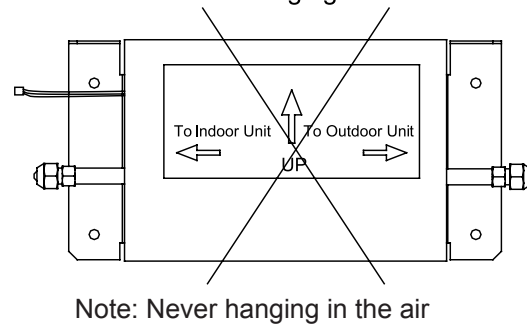
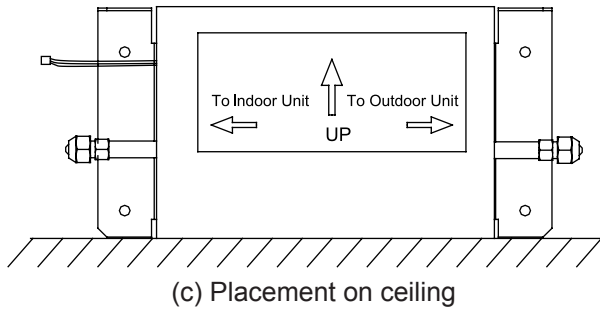
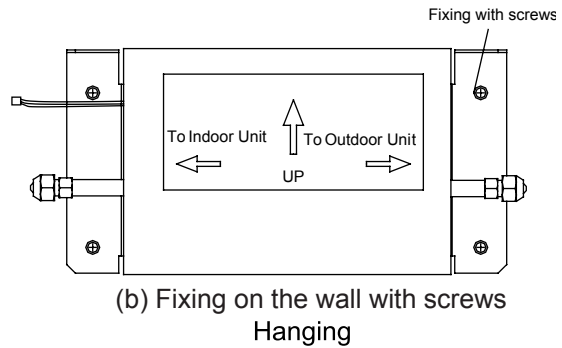
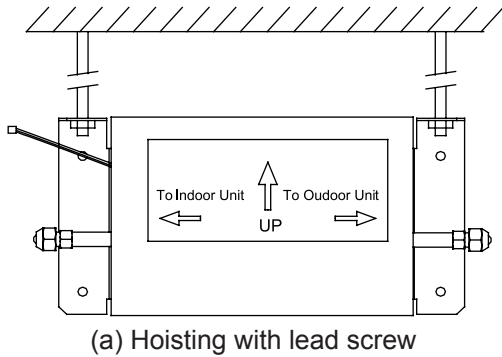
⚠ Notice!

Install the electronic expansion valve as following figure so that the unit can normally run.
Keep the vertical arrow of labeling on electronic expansion valve upward.

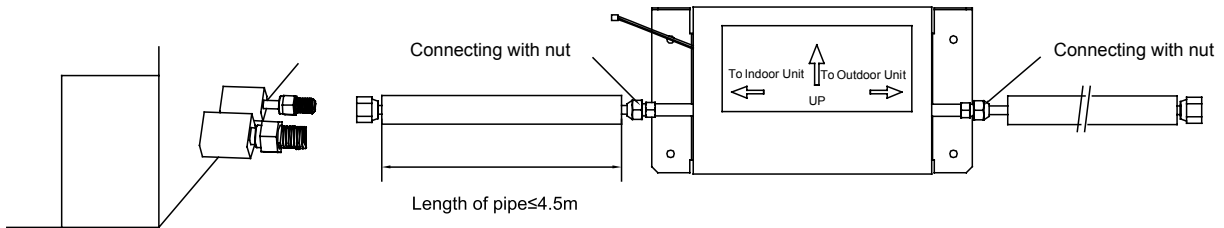


Installation

(1) Fix the electronic expansion valve, which can be operated as the following ways.

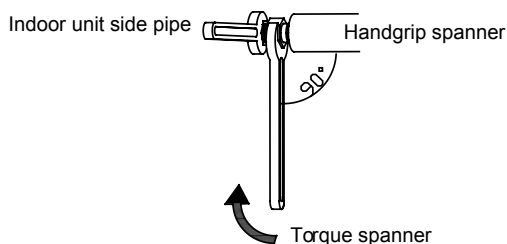


(2) Connect the indoor unit with a portion of connecting pipe (connecting with nut), and then connect the connecting pipe with electronic expansion valve (connecting with nut).



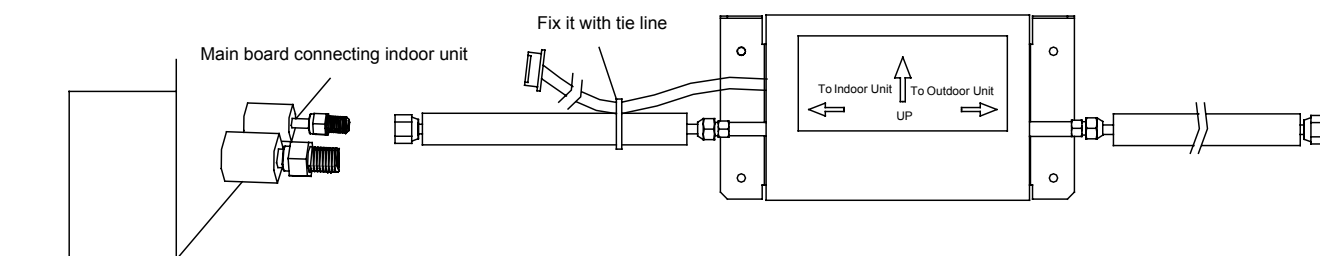
⚠ Warning: Length of connecting pipe must be ≤ 4.5m, connection direction between electronic expansion valve and indoor unit or outdoor unit must accord with marks, or else, serious malfunction of unit will result.

After manually screwing down the nuts, hold the pipe junction on the side of the unit with the spanner, and then tighten it with torque spanner.



(3) Connect the wires of the expansion valve

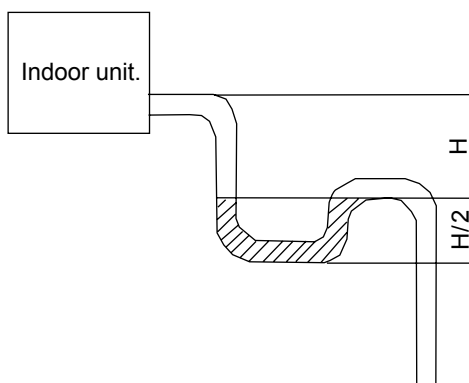
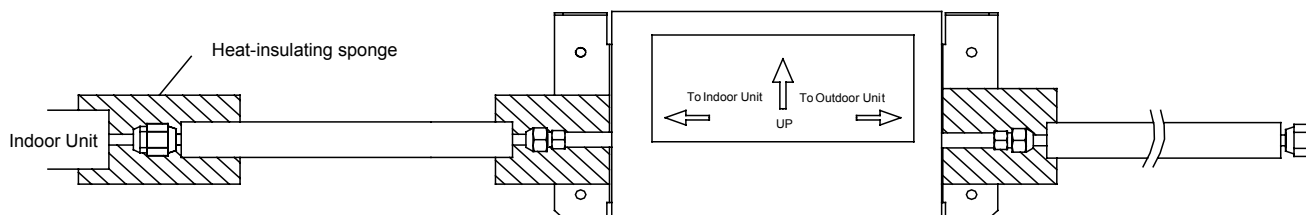
- ① . Fix the wire on the pipes with tie line (small) to avoid looseness and sag.
- ② . Prevent the wire from contacting with high-heat or moist objects during connection.



(4) Last operation

⚠ Warning: Ensure the pipes are covered by the sponge completely from air; otherwise, condensate on the pipes will be caused by improper heat insulation.

Connecting pipe part must be wrapped with heat-insulating materials.



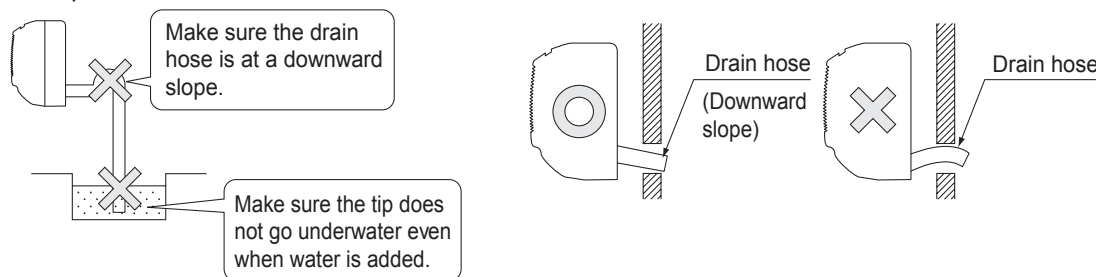
- Install water trap as shown below;
- Install one water trap for each unit.
- Installation of water trap shall consider easy cleaning in the future.

4 INSTALLATION OF DRAIN PIPE

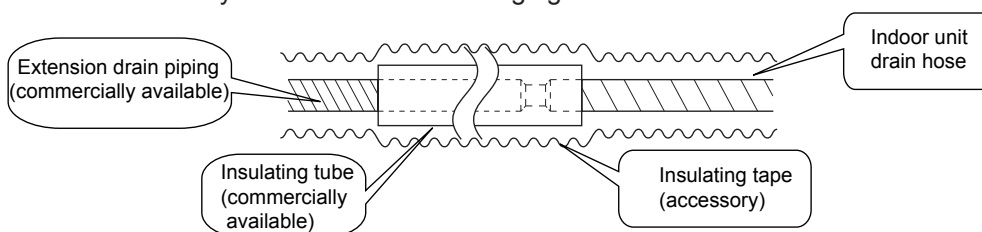
4.1 Precautions When Doing the Piping Work

- Keep piping as short as possible and slope it downwards at a gradient of at least 1/100 so that air may not remain trapped inside the pipe.

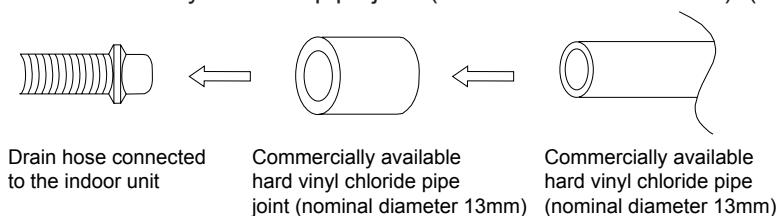
For example:



- Keep pipe size equal to or greater than that of the connecting pipe.
- Install the drain piping as shown and take measures against condensation. Improperly rigged piping could lead to leaks and eventually wet furniture and belongings.



- When directly connecting a hard vinyl chloride pipe joint to the drain hose connected to the indoor unit, use a commercially available hard vinyl chloride pipe joint (nominal diameter 13mm). (Refer to Fig. 18)

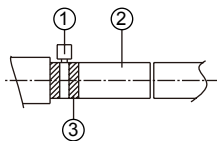


- Do not connect the drain piping directly to sewage pipes that smell of ammonia. The ammonia in the sewage might enter the indoor unit through the drain pipes and corrode the heat exchanger.

4.2 Installing the Drain Pipes

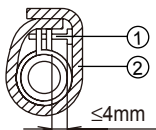
- Insert the drain hose into the drain outlet, and tighten the clamp securely with tape.
- Tighten the clamp until the screw head is less than 4 mm from the hose.

- ① . Metal clamp (accessory)
- ② . Drain hose (accessory)
- ③ . Grey tape (accessory)



- Insulate the pipe clamp and the drain hose using heat insulation sponge.

- ① . Metal clamp (accessory)
- ② . Insulation sponge (accessory)



- When unifying multiple drain pipes, install the pipes as shown below. Select converging drain pipes whose gauge is suitable for the operating capacity of the unit. (take the cassette type unit for example)

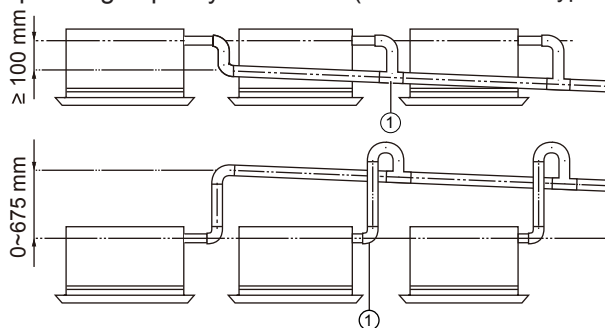


Fig.9

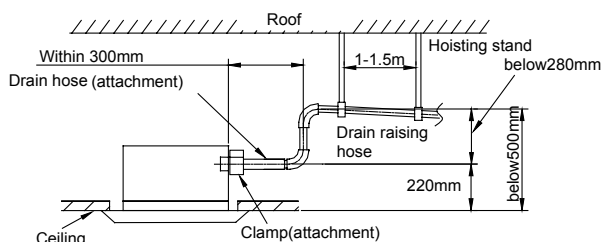
①: T-joint converging drain pipes

- When the drain hose cannot keep a sufficient gradient, it is necessary to fit a riser pipe (field supplied) to it.

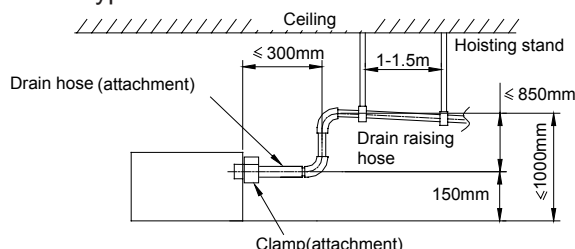
4.3 Precautions when doing riser piping work

- Make sure that heat insulation work is executed on the following 2 spots to prevent any possible water leakage due to dew condensation.
 - Connect the drain hose to the drain raiser pipe, and insulate them.
 - Connect the drain hose to the drain outlet on the indoor unit, and tighten it with the clamp.

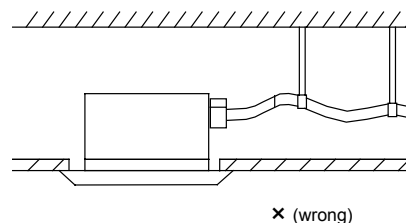
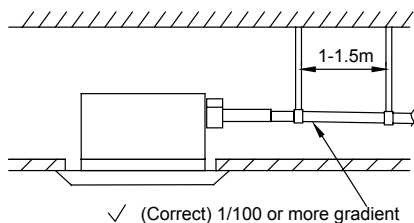
cassette type



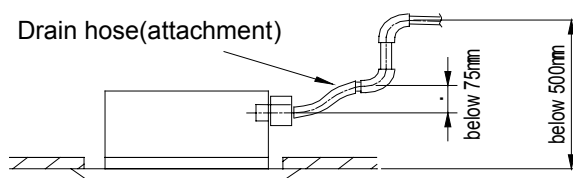
duct type



- Make sure the raiser piping is at most 280 mm for cassette type.
- Make sure the raiser piping is at most 850 mm for duct type.
- Stand the raiser piping horizontally, and make sure it is not further than 300 mm from the base of the drain outlet.
- Secure a downward gradient of 1/100 or more for the drain pipe. To accomplish this, mount supporting brackets at an interval of 1 - 1.5 m. (take the cassette type unit for example)



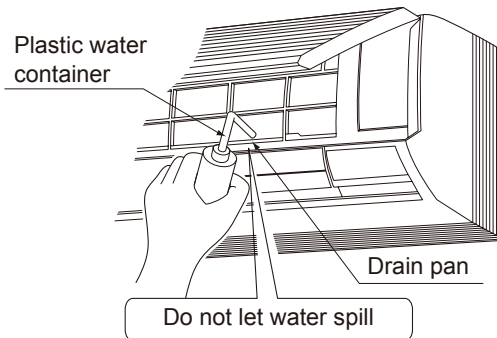
- The incline of attached drain hose should be 75 mm or less so that the drain outlet does not have to withstand additional force. (take the cassette type unit for example)



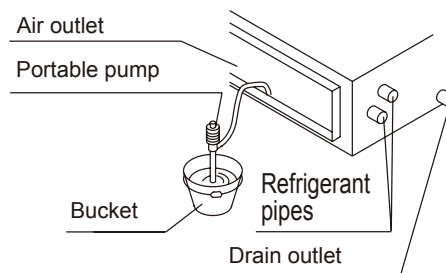
4.4 Testing of Drain Piping

- After piping work is finished, check if drainage flows smoothly.
- Shown in the figure, Add approximately 1liter of water slowly into the drain pan and check drainage flow during COOL running.

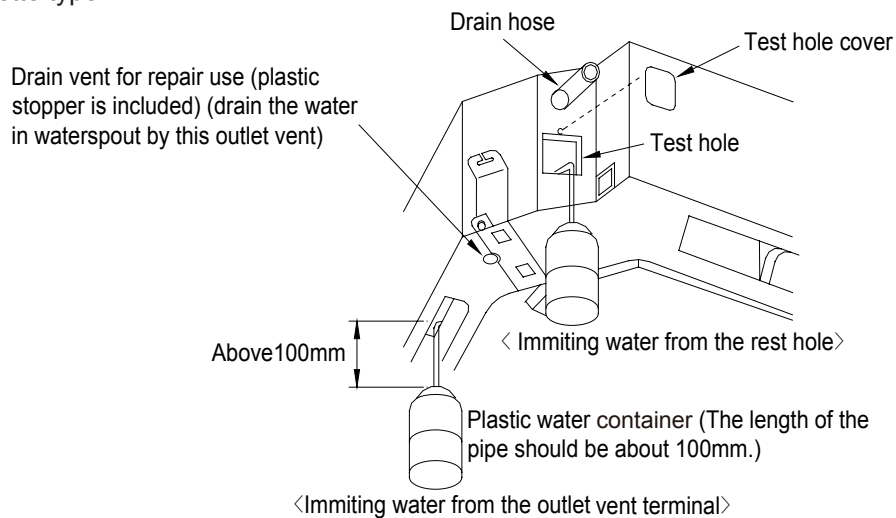
(a) For wall mounted type



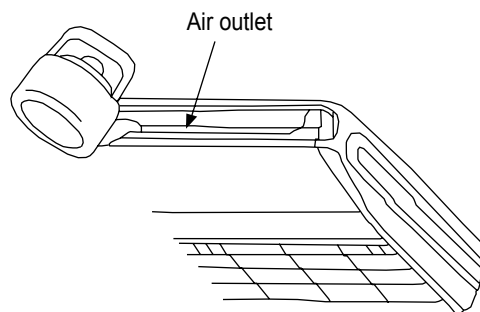
(b) For duct type



(c) For cassette type



(d) For floor ceiling type



5 ELECTRICAL INSTALLATION

5.1 Precautions for Electrical Installation

- ◆ The wiring must be in accordance with the local rules.
- ◆ Rated supply voltage and special circuit for air conditioner must be used.
- ◆ Do not pull the power cord forcefully.
- ◆ All the electric installations must be carried out by specialist technicians in accordance with the local laws, rules and these instructions.
- ◆ The diameter of flexible wire should be wide enough. Replace the damaged power cord and connecting wire with special flexible wire.
- ◆ The earthing shall be reliable and connected to the special earthing device on the construction. The installation must be done by specialist technicians. The leak protection switch and air switch with enough capacity must be installed. The air switch shall have both the magnetic tripping and thermal tripping functions to ensure protection against the short circuit and overload.

• Earthed Requirements

- ◆ The air conditioner belongs to I type electric appliances. The reliable earthed action is a must.
- ◆ The yellow and green wire inside the air conditioner is the earthed wire. Do not use it for other purpose or even cut off it. Do not fix it with tapping screw,. Otherwise, it may cause electric shock.
- ◆ The earthed resistance must meet the requirements of national standard GB17790.
- ◆ There should be reliable earthed terminal for the power supply. Never connect the earth lead to the following articles:
 - ① water pipe; ② gas pipe; ③ drain pipe; ④ unreliable place considered by professionals.

5.2 DIP Switches

The DC inverter GMV unit of Gree is provided with three DIP switches, i.e. address DIP switch, capacity dial-up and function DIP switch. Adjust the function DIP switch to set control, mode and function; Adjust the address DIP switch to set the corresponding relationship of indoor unit and wired controller; Adjust the capacity DIP switch to set capacity demand of indoor unit.

4.2.1 Function DIP Switch S7

⚠ Caution!

Functional DIP switch S7 is located on the mainboard of the indoor unit. It is operated when the user needs to change the default setting.

Functional DIP switch S7			
DIP switch	Functional description:	DIP switch setting	
		0 (ON Position)	1
1(S / R)	Setting of memory mode	Standby (S)	Restore (R)
2(L / I)	Setting of control mode	Wired control (L)	Remote control (I)
3(M / S)	Setting of master / slave indoor unit	Master indoor unit (M)	Slave indoor unit (S)
4(I / O)	Setting of ambient temperature setpoint	Air inlet (I)	Receiver (O)
5(L / H)	Setting of high / low static pressure fan	Low static pressure (L)	High static(H)

Functional description of function DIP switch:

DIP switch 1 (S/R):

Setting of memory mode, including the standby mode and restoration mode. The standby mode refers to that the previous parameters will be kept but the unit will not run automatically after the power supply is resumed. This DIP switch is factory defaulted to be at the "ON" position. For example, if the parameters of an indoor unit set before power shutdown are High Fan and 24°C, the unit will be under standby state after the power supply is resumed and after the unit is manually started, the parameters will remain as High Fan and

24°C. The restoration mode refers to that not only the previous parameters will be kept, but also that the unit can start automatically after the power supply is resumed. But if the unit is under STOP state before power failure, it will be also under STOP state after the power supply is resumed.

DIP switch 2 (L/I):

Setting of the control mode through either the wired controller or the remote controller. When it is under the wired controller mode, the “Setting of Memory Mode” of switch 1 and the “Setting of Master/Slave Unit” of switch 3 can only be set through the wired controller; when it is under the remote controller, both two settings can still be set through this function DIP switch S7.

DIP switch 3 (M/S):

The setting of master/save indoor unit is intended to set which units as the master units and which as the slave units, mainly used to meet the needs of special people given priority (e.g. leaders, patients, etc.). All indoor units are factory defaulted to be master units, with this switch set to the “ON” position.

When all indoor units are set as the slave units, the mode of that who start first will always takes precedence. If its mode conflicts with that of the unit started later, then the unit started later will raise a conflict mode error and stop working. In this case, it is easily understood that the mode of the unit which starts first always takes precedence.

When only one indoor unit is set as the master unit, no matter if it is firstly started or not, if its mode conflicts with that of any slave unit, then this slave unit will raise a mode conflict error and stop working. In this case, it is easily understood that the mode of the master unit always takes precedence.

When several indoor units are set as master, the mode of master indoor unit with a lower address code will be taken as the master run mode of the unit. When the master indoor unit with the lowest address code is changed from STOP state to RUN state, the mode of other master indoor units or slave indoor units shall be kept identical to its mode; otherwise the system will give out mode conflict error. Therefore, when there are several master indoor units, the address code of the unit shall be set from lower to higher according to priority level.

DIP switch 4 (I/O):

Setting of ambient temperature setpoint. This setting is mainly used when the temperature of air conditioner area differs largely from the air inlet temperature of the unit. Meanwhile, this setting is only valid when the receiver is connected, including the setting of temperature setpoint at air inlet and setting of the temperature setpoint at receiver head. The factory default setting is setpoint of air inlet temperature, The DIP switch is set to the “ON” position.

DIP switch 5 (L/H):

Setting of high / low static pressure fan. This setting includes the setting of high static pressure fan and low static pressure fan, adjusted as needed for the project. The factory default setting is low static pressure fan, The DIP switch is set to the “ON” position.

Cautions:

- 1) The above settings must be done under power OFF state.
- 2) The function DIP switch comes into the three-position, four-position and five-position, and the two latter ones are only applicable to the duct type and floor ceiling type units.

Model	Functional DIP switch
GMV-R**P(S)/NaB-(K)(M)	Four-position
GMV-R**T/Na(A)-K , GMV-R**Td/Na-K, GMV-R**Zd/Na-K	Three-position
GMV-R**Zd/NaB-K, GMV-R**PS/NaE-K	Five-position
GMV-R**G/Na(B)(G)(C)-K, GMV-R**C/Na-K	Three-position function DIP switch (It is located on the switch board Z6N).
GMV-R**L/Na-K	No function DIP switch (memory function, wireless control, master/slave indoor unit setting are realized through the combined buttons on the front panel of the unit)

3) When the “Control Mode” is set to “L”, the “Memory Mode” and “Master/Slave Indoor Unit” is forbidden to be set unless the “Control Mode” is then set to “1”.

4) The DIP switch shall be set exactly in position but not stay in the middle. Setting to “ON” represents “0” of the binary system and “1” to the opposite side.

5) After the setting, please note the address code of the unit(√).

4.2.2 Address Code

The address DIP switch must be set properly for the multi VRF indoor units, otherwise it would lead to communication trouble. The address code consists of 4 binary bits and is related to the address ranging from 1-16.

⚠ NOTES!

To use multiple indoor units in parallel, make sure to change the setting of address code before installation and guarantee that the address code of each indoor unit must be different (The address code is located on the mainboard of indoor unit). If wired controller is used, make sure to set the address of wired controller to the position same as the address code on corresponding indoor unit. (The address of wired controller is located on the back of wired controller)

◆ Below is factory default setting:



The default address code is 0000, that is, the address is 1, shown as the figure above.

◆ Address Code

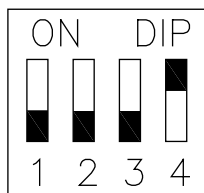
The address code of the address DIP switch is in binary format. When the switch is set to “ON”, it indicates “1” of the binary system, and “0” when set to the opposite side.

Address Code Table (4-position DIP Switch)				
Switch 4	Switch 3	Switch 2	Switch 1	Address
0	0	0	0	1
0	0	0	1	2
0	0	1	0	3
0	0	1	1	4
0	1	0	0	5
0	1	0	1	6
0	1	1	0	7
0	1	1	1	8
1	0	0	0	9
1	0	0	1	10
1	0	1	0	11
1	0	1	1	12
1	1	0	0	13
1	1	0	1	14
1	1	1	0	15
1	1	1	1	16

Example 1: If the address code is “1110”, that is, switch 4 is set to “ON”, and switch 3,2 and 1 are all set to the opposite side, in this case, the address is “8”.

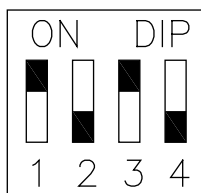
Example: If the address code is “0101”, that is, the switch 3 and 1 are set to “ON” while switch 4 and 2 are set to the opposite side, in this case, the address is “11”.

Refer to the following figure.



Address

Address 8, Address Code 0111



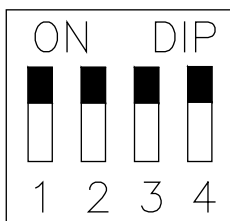
Address

Address 11, Address Code 1010

4.2.3 Capacity Code

On the main board of the indoor unit, two 4-position switches are used to set the address and capacity of the indoor unit. The one (marked with “Capacity” below”) is factory set and sealed so that it is not allowed to be modified by the user.

◆ Below is factory default setting:



Capacity

The default setting of the capacity DIP switch, as shown above, is related to the maximum capacity of the indoor unit.

◆ Capacity Code

The capacity code of the capacity DIP switch is in binary format. When the switch is set to “ON”, it indicates “1” of the binary system, and “0” when set to the oppoiste side.

Capacity Code Table (4-position DIP Switch)				
Switch 4	Switch 3	Switch 2	Switch 1	Capacity
0	0	0	0	20
0	0	0	1	25
0	0	1	0	30
0	0	1	1	35
0	1	0	0	40
0	1	0	1	45
0	1	1	0	50
0	1	1	1	60
1	0	0	0	224
1	0	0	1	70
1	0	1	0	80
1	0	1	1	90
1	1	0	0	100
1	1	0	1	112
1	1	1	0	140
1	1	1	1	280

MAINTENANCE

MAINTENANCE

1 TROUBLE SHOOTING

1.1 Error Display of Indoor Unit

Error Code	Error	Source of error signal	Control description
E1	Compressor high pressure protection	High pressure switch	The high pressure protection value is 4.2MPa. When high pressure of a compressor is detected for successive three times, the compressor will stop. Error code E1 will be displayed and the running LED will blink.
E2	Indoor antifreezing protection	Temperature sensor of evaporator	When Tevaporator $\leq -2^{\circ}\text{C}$ lasts for 10min, the antifreezing protection will occur. The indoor electronic expansion valve will be closed and the capacity is 0.
E3	Compressor low pressure protection	Low pressure switch	When the low pressure protection value (0.15Mpa, absolute pressure) is reached, the low pressure switch will be disconnected. The low pressure protection will be displayed.
E4	Compressor discharge temperature protection	Discharge temperature sensor	When discharge temperature T is 113°C or higher, the stop protection will occur. E4 is displayed upon the first discharge protection. After discharge temperature is lower than $\text{TR}^{\circ}\text{C}$ and the unit stops for 3min, the compressor will resume running. If this occurs for three times in one hour, the compressor can not resume running. It is a must to cut off the power and restart the unit.
E5	Conversion overcurrent protection	Compressor driver	The driving board of conversion compressor is wrong. Refer to the error code of outdoor nixie tube for specific error information.
E6	Communication Error	Communication	There is communication error between the mainboard of indoor unit or wired controller and the outdoor unit. The wrong indoor unit will stop and display error code.
E7	Mode conflict	User operation	The running modes of the unit running first and that of later are variant. There is mode conflict among cooling, defrosting and heating mode. There is no mode conflict among fan, cooling, defrosting and heating mode. When mode conflict occurs, the indoor unit will display E7 and stop.
E9	Water full protection	Water pump	When the water is full for successive 8s, the water full protection will occur. The wired controller will display E9 and alarm will occur. In that case, the water pump will work while the other load of indoor unit will stop. The outdoor unit needs to adjust capacity output.
F0	Ambient temperature sensor error of indoor unit	Ambient temperature sensor of indoor unit	The indoor unit of temperature sensor error displays the error code and stop.
F1	Indoor coil pipe inlet temperature sensor error	Indoor coil pipe inlet temperature sensor	The indoor unit of temperature sensor error displays the error code and stop.
F2	Indoor coil pipe middle temperature sensor error	Indoor coil pipe middle temperature sensor	The indoor unit of temperature sensor error displays the error code and stop.
F3	Indoor coil pipe outlet temperature sensor error	Indoor coil pipe outlet temperature sensor	The indoor unit of temperature sensor error displays the error code and stop.
F4	Outdoor ambient temperature sensor error	Outdoor ambient temperature sensor	If short circuit occurs to the temperature sensor, there will be alarm.. The error information will be transmitted to each indoor unit, The error LED or wired controller will display the error code. When outdoor ambient temperature is lower than -5°C , the break circuit of outdoor temperature sensor will be shielded. It is treated according to -30°C .
F7	Outdoor defrosting temperature sensor error	Outdoor defrosting temperature sensor	If short circuit occurs to the temperature sensor, there will be alarm.. The error information will be transmitted to each indoor unit, The error LED or wired controller will display the error code. When outdoor ambient temperature is lower than -5°C , the break circuit of outdoor temperature sensor will be shielded. It is treated according to -30°C .
F9	Discharge temperature sensor error	Discharge temperature sensor	If short circuit occurs to the temperature sensor, there will be alarm.. The error information will be transmitted to each indoor unit, The error LED or wired controller will display the error code. When outdoor ambient temperature is lower than -5°C , the break circuit of outdoor temperature sensor will be shielded. It is treated according to -30°C .

Error display of mainboard LED of duct type indoor unit

Error	Error Code	Error	Error Code
Prevention against low temperature	E2	Error with oil temperature sensor 2 (digital)	Fb
Outdoor ambient temperature sensor error	F4	Indoor ambient temperature sensor error	F0
Outdoor tube-inlet sensor error	F5	Exhaust overtemperature	E4
Outdoor tube-middle sensor error	F6	Low-pressure protection	E3
Outdoor tube-exit sensor error	F7	Overcurrent Protector	E5
Error with exhaust temperature sensor 1 (fixed-frequency)	F8	High-pressure protection	E1
Indoor tube-inlet sensor error	F1	Communication error	E6
Indoor tube-middle sensor error	F2	High-pressure valve error	Fc
Indoor tube-exit sensor error	F3	Low-pressure valve error	Fd
Error with exhaust temperature sensor 2 (digital)	F9	Water-full protection (Cassette)	Eb
Error with oil temperature sensor 1 (fixed-frequency)	FA		

Error display of mainboard LED of cassette type indoor unit

Trouble name	Trouble LED		
	Electrical source LED	Operation LED	Timing LED
Tube-inlet sensor error	○	●	◐
Tube-middle sensor error	○	◐	◐
Tube-exit sensor error	○	◐	○
Room sensor error	○	○	◐
Defrost	○	◐	●
Antifreeze	●	●	◐
Water-full protection	●	◐	◐
Mode conflict	●	◐	○
Communication error	◐	◐	◐
Outdoor unit failure	◐	●	●
Auxiliary heater error	◐	○	○

Legend: bright ○; dark ●; blink ◐

Error display of mainboard LED of wall-mounted type indoor unit (LengJingwang)

Trouble name	Tube-inlet sensor error	Tube-middle sensor error	Tube-exit sensor error	Room sensor error	Defrost	Antifreeze	Mode conflict	Communication error	Outdoor unit failure
Electrical source LED	○	○	○	○	○	●	●	◐	◐
Operation LED	●	◐	◐	○	◐	●	◐	◐	●
Timing LED	◐	◐	○	◐	●	◐	○	◐	●

Legend: bright ○; dark ●; blink ◐

Error display of mainboard LED of wall-mounted type indoor unit (FengYun and FengXia)

Error	Tube-inlet sensor error	Tube-middle sensor error	Tube-exit sensor error	Room sensor error	Defrost	Antifreeze	Mode conflict	Communication error	Outdoor unit failure
Test lamp	Blink (1)				Bright	Dark	Blink	Blink (2)	Blink
Timer Lamp	Blink				Blink	Blink	Bright	blink	Dark

Notes: [1] Bright and dark intermittently; [2] Bright and dark simultaneously
Error display of mainboard LED of wall-mounted type indoor unit (Ling Ge Feng)

Error	Error Code	Error	Error Code
Prevention against low temperature	E2	Error with oil temperature sensor 2 (digital)	Fb
Outdoor ambient temperature sensor error	F4	Indoor ambient temperature sensor error	F0
Outdoor tube-inlet sensor error	F5	Exhaust overtemperature	E4
Outdoor tube-middle sensor error	F6	Low-pressure protection	E3
Outdoor tube-exit sensor error	F7	Overcurrent Protector	E5
Error with exhaust temperature ensor 1 (fixed-frequency)	F8	High-pressure protection	E1
Indoor tube-inlet sensor error	F1	Communication error	E6
Indoor tube-middle sensor error	F2	High-pressure valve error	Fc
Indoor tube-exit sensor error	F3	Low-pressure valve error	Fd
Error with exhaust temperature sensor 2 (digital)	F9	Mode conflict	E7
Error with oil temperature sensor 1 (fixed-frequency)	FA		

Error display of mainboard LED of floor ceiling type

Error	Electrical source LED	Error	Electrical source LED
Tube-inlet sensor error	○	●	◐
Tube-middle sensor error	○	◐	◐
Tube-exit sensor error	○	◐	○
Room sensor error	○	○	◐
Defrost	○	◐	●
Antifreeze	●	●	◐
Mode conflict	●	◐	○
Communication error	◐	◐	◐
Outdoor unit failure	◐	●	●
Auxiliary heater error	◐	○	○

Legend: bright ○; dark ●; blink ◐

Floor and wall mounted type: The “88” display reveals the error code, while the indicating LED indicates the status of the specific function.

Floor standing type: The “88” display reveals the error code, while the indicating LED indicates the status of the specific function.

1.2 Number of Indoor Unit

Note:

Press the SW3 button of outdoor unit for successive 2 times within 2s, and the number of indoor unit will be detected. In that case, LED1~ LED4 will blink in turn while LED5 and LED6 will be dark. The number of indoor unit will be shown 12s later.

Number of indoor unit	dispay					
	LED6	LED5	LED4	LED3	LED2	LED1
1	dark	dark	dark	dark	dark	light
2	dark	dark	dark	dark	light	dark
3	dark	dark	dark	dark	light	light
4	dark	dark	dark	light	dark	dark
5	dark	dark	dark	light	dark	light
6	dark	dark	dark	light	light	dark
:	:	:	:	:	:	:
:	:	:	:	:	:	:
62	light	light	light	light	light	dark
63	light	light	light	light	light	light

2 AFTER-SALES EMERGENCY MEASURES

When some unrecoverable fault occurs to one module which is connected with several others in parallel, the following emergency measures are recommended to guarantee the heating or cooling capacity of the indoor units and the service life of modules except the faulted one are not affected.

Step 1: set all indoor units under "Off" mode and cut off the power supply to the indoor and outdoor units.

Step 2: shut off all cutoff valves of the faulted outdoor unit, including the cutoff valves of the liquid/gas pipe as well as the oil balancing valve.

Step 3: cut off the air switch of the module.

Step 4: remove the communication line between the faulted module and other modules which are still kept connected through the communication line.

Step 5: readjust the address and quantity settings on the main board of the modules except the faulted one.

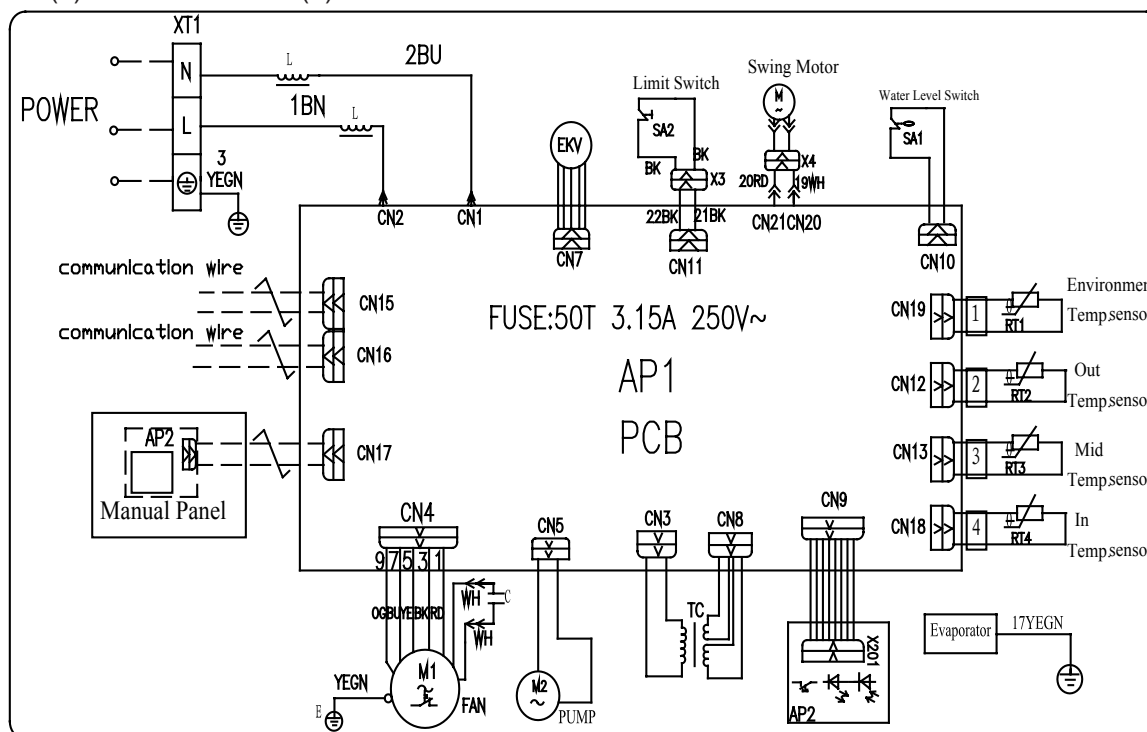
Step 6: power and restart the unit

3 WIRING DIADRAM

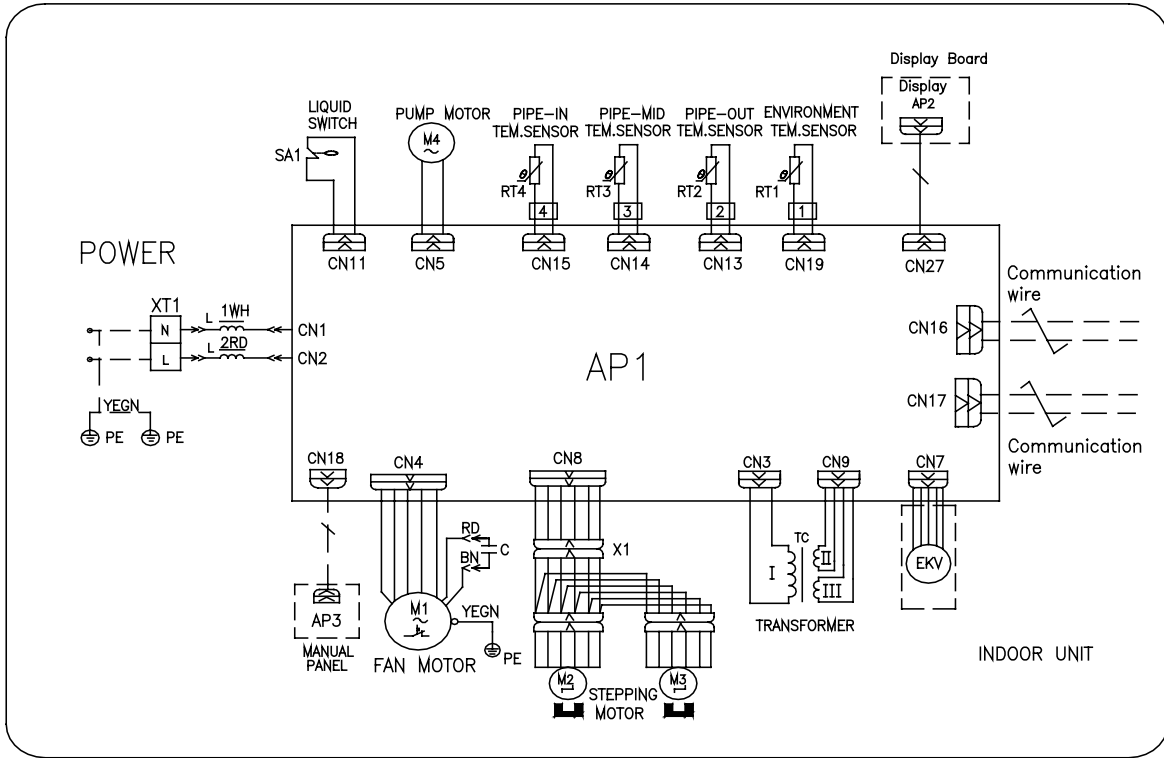
3.1 Cassette Type

3.1.1 Four-way Cassette Type

GMV(L)-R28T/Na-K~GMV(L)-R140T/Na-K.

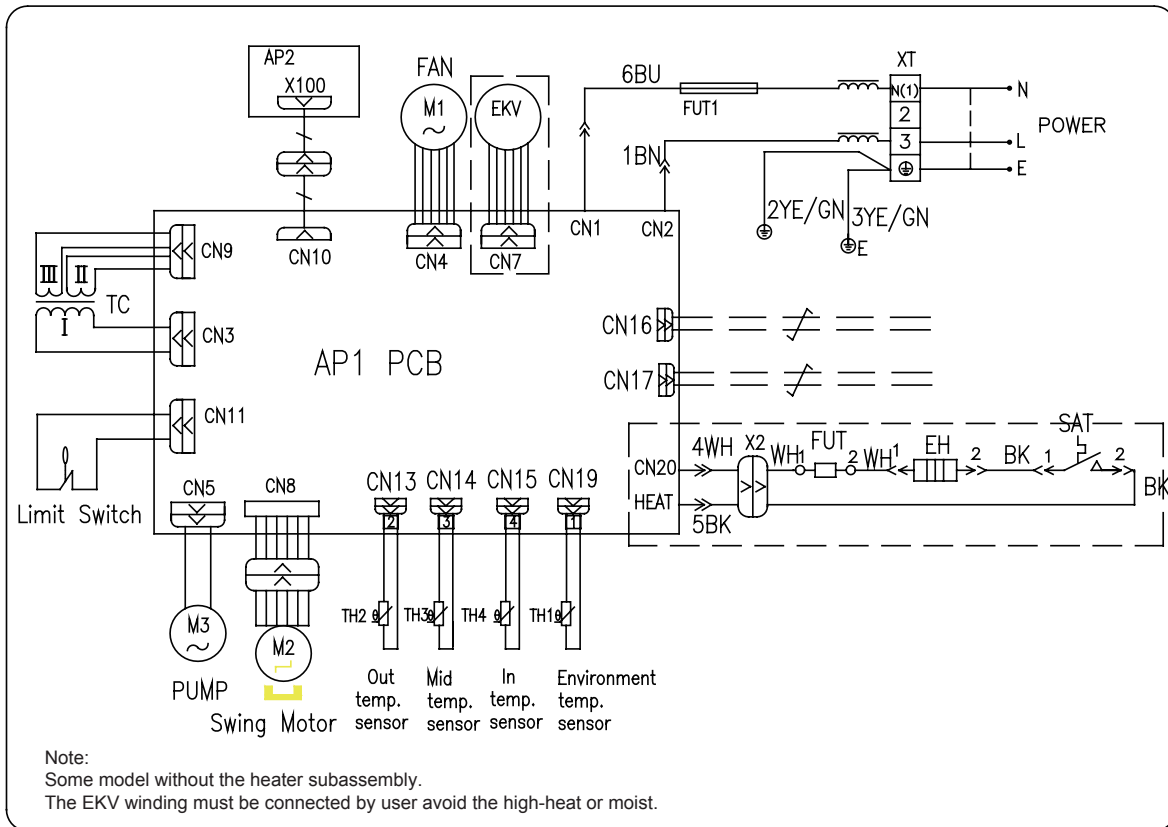


GMV(L)-R22T/NaA-K~GMV(L)-R45T/NaA-K



3.1.2 One-way Cassette Type

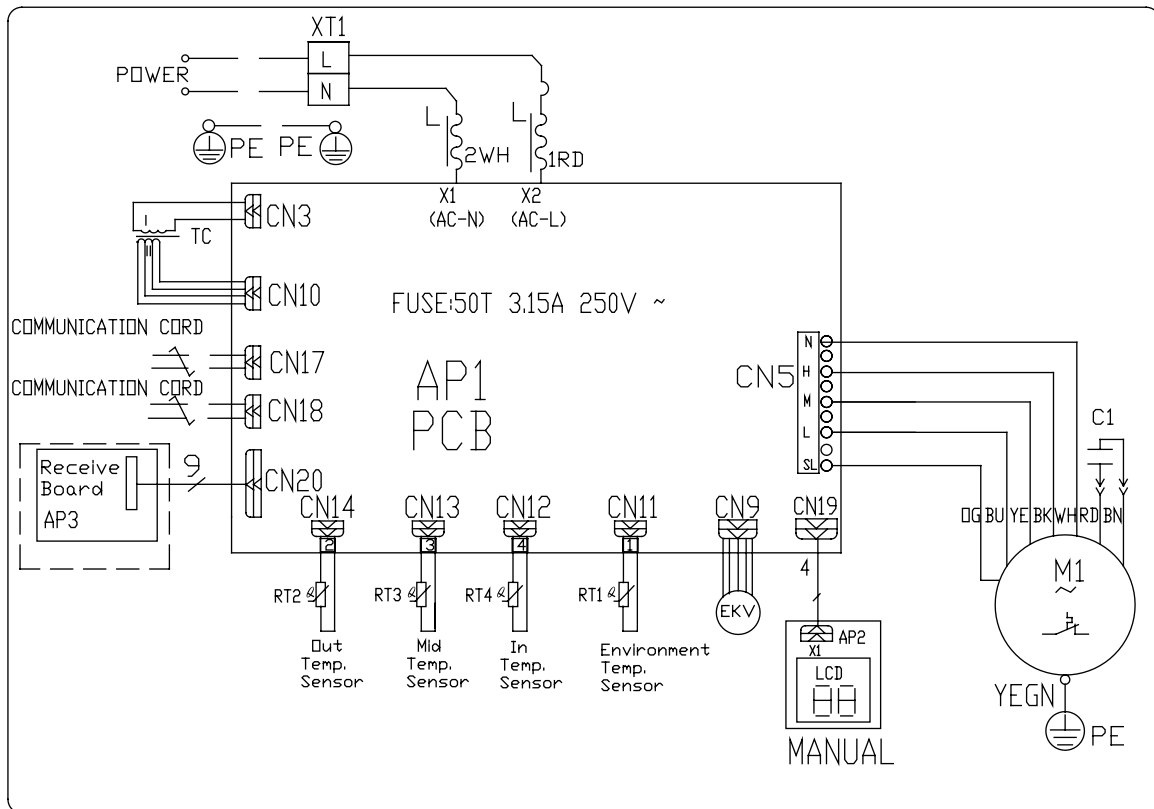
GMV(L)-R22Td/Na-K~GMV(L)-R36Td/Na-K



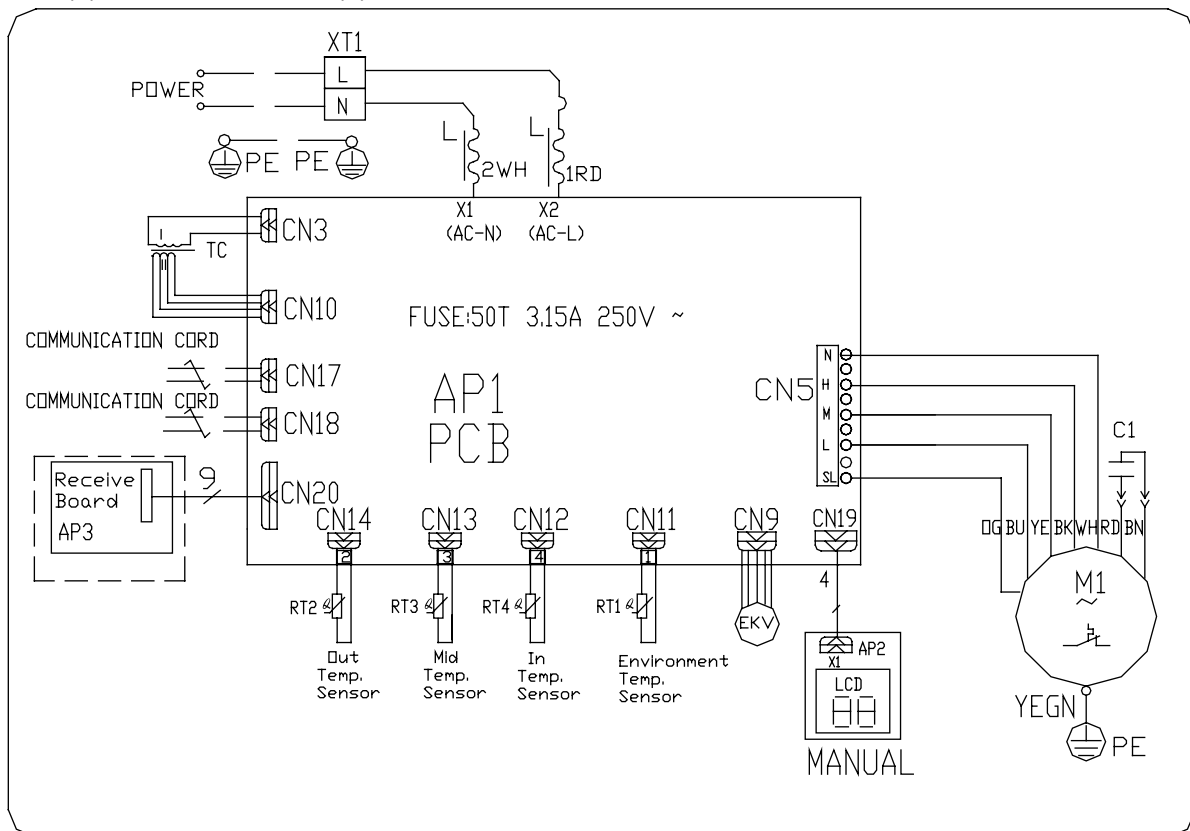
3.2 Duct Type

3.2.1 B-Series Duct Type

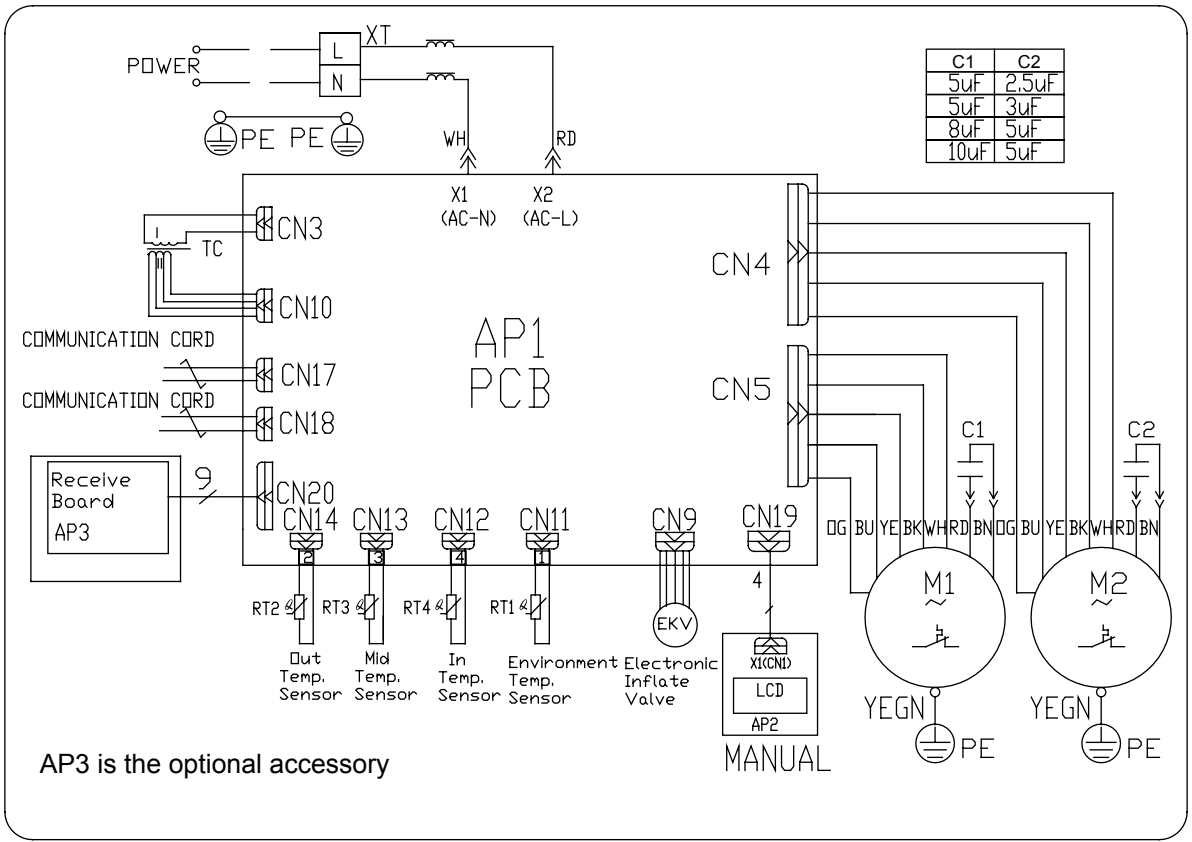
GMV(L)-R22P/NaB-K~GMV(L)-R36P/NaB-K



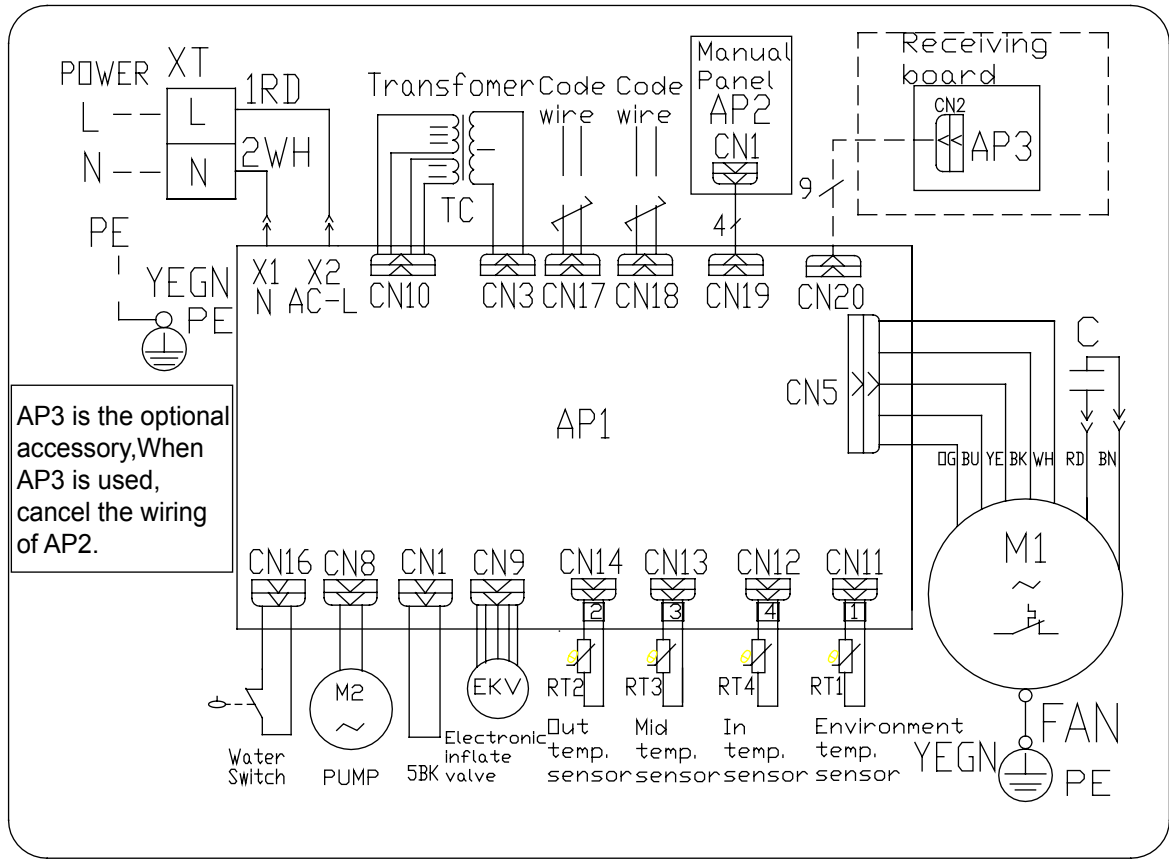
GMV(L)-R45P/NaB-K~GMV(L)-R71P/NaB-K



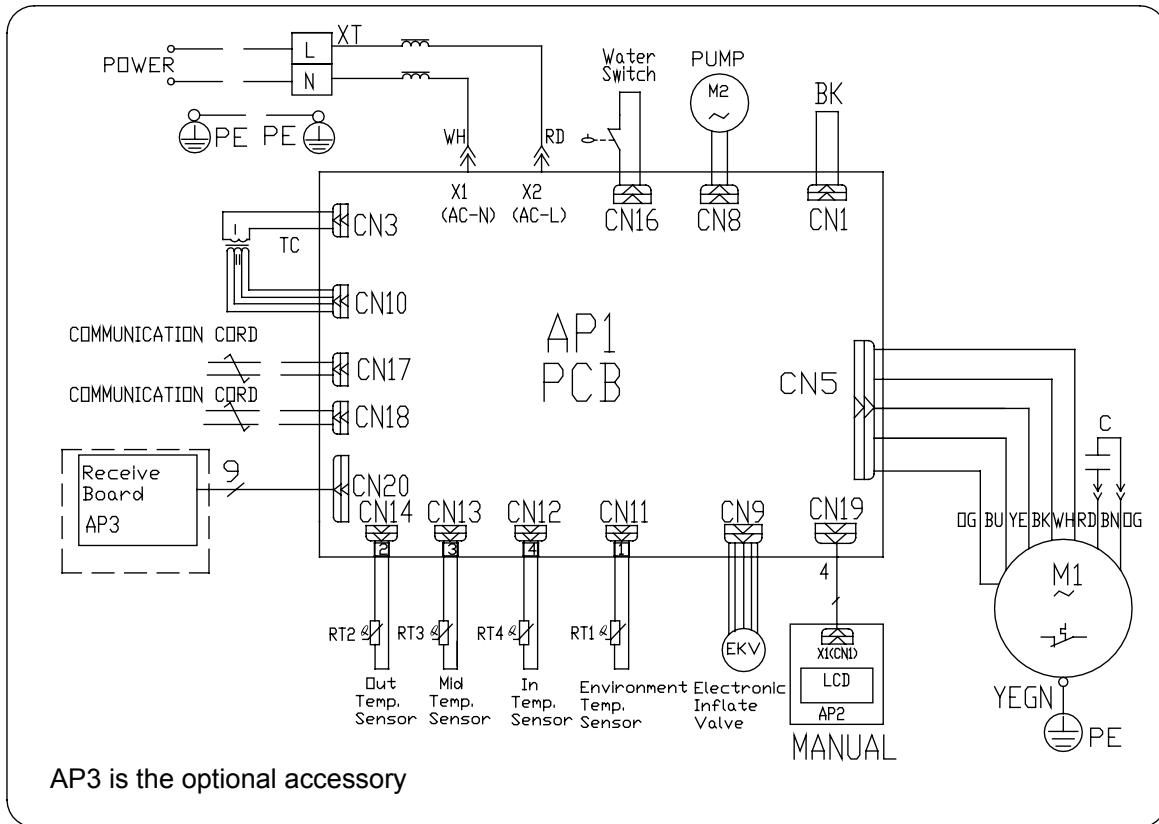
GMV(L)-R90P/NaB-K~GMV(L)-R140P/NaB-K



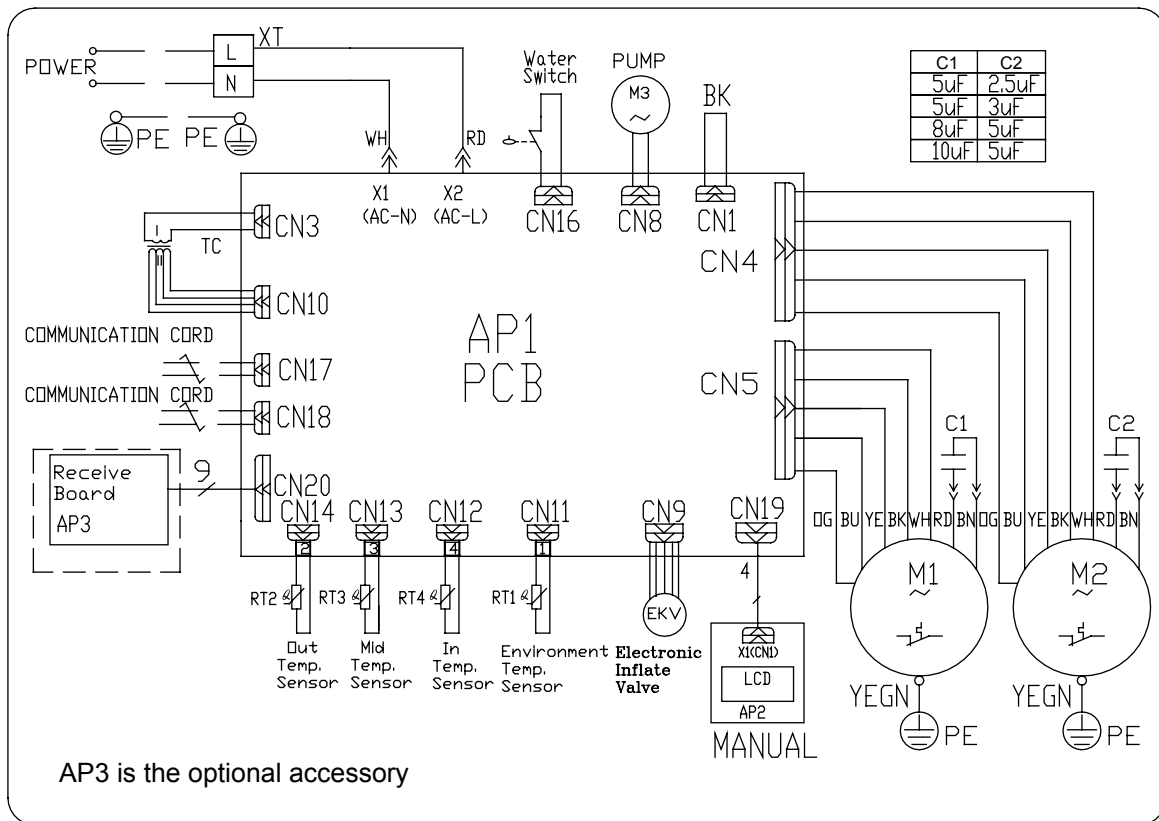
GMV(L)-R22PS/NaB-K~GMV(L)-R36PS/NaB-K



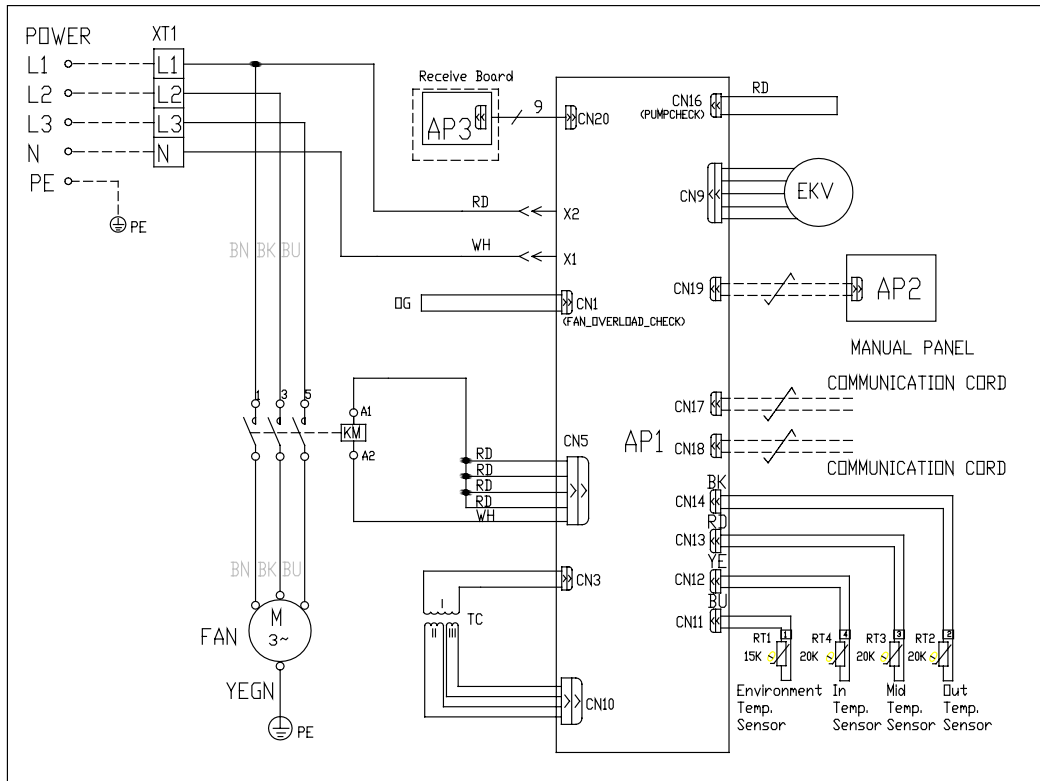
GMV(L)-R45PS/NaB-K~GMV(L)-R71PS/NaB-K



GMV(L)-R90PS/NaB-K~GMV(L)-R140PS/NaB-K

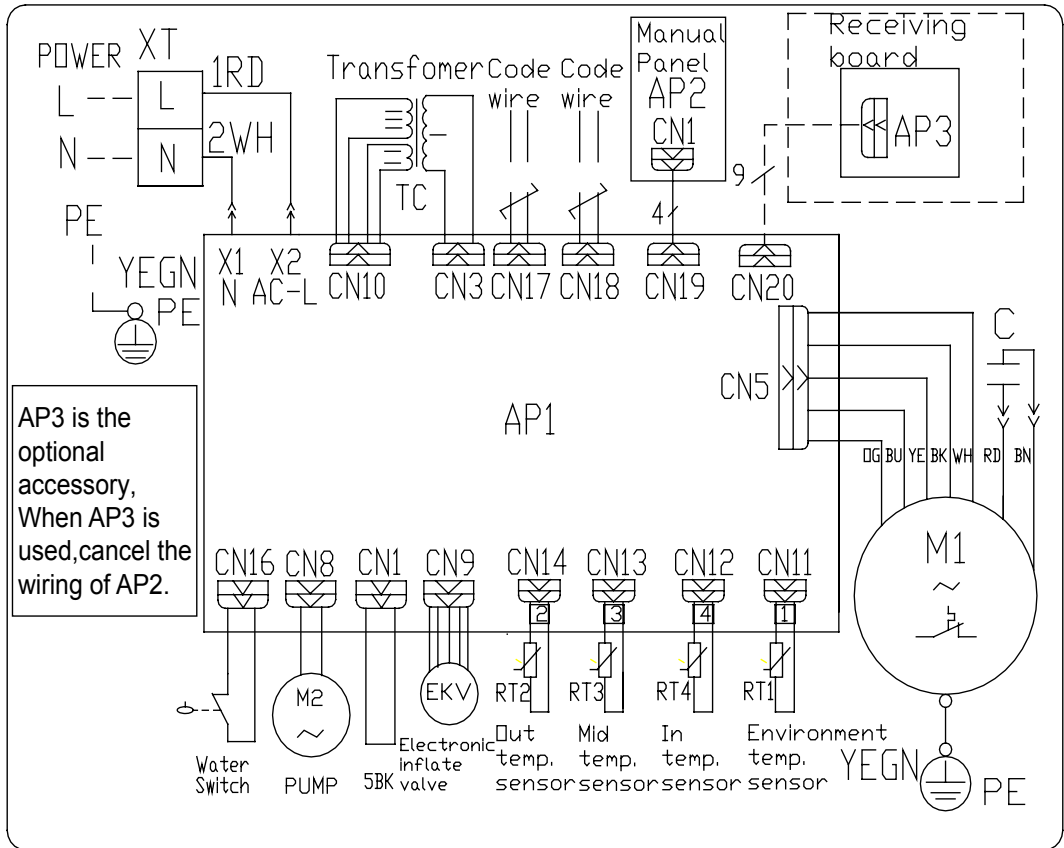


GMV-R224P/NaB-M, GMV-R280P/NaB-M.



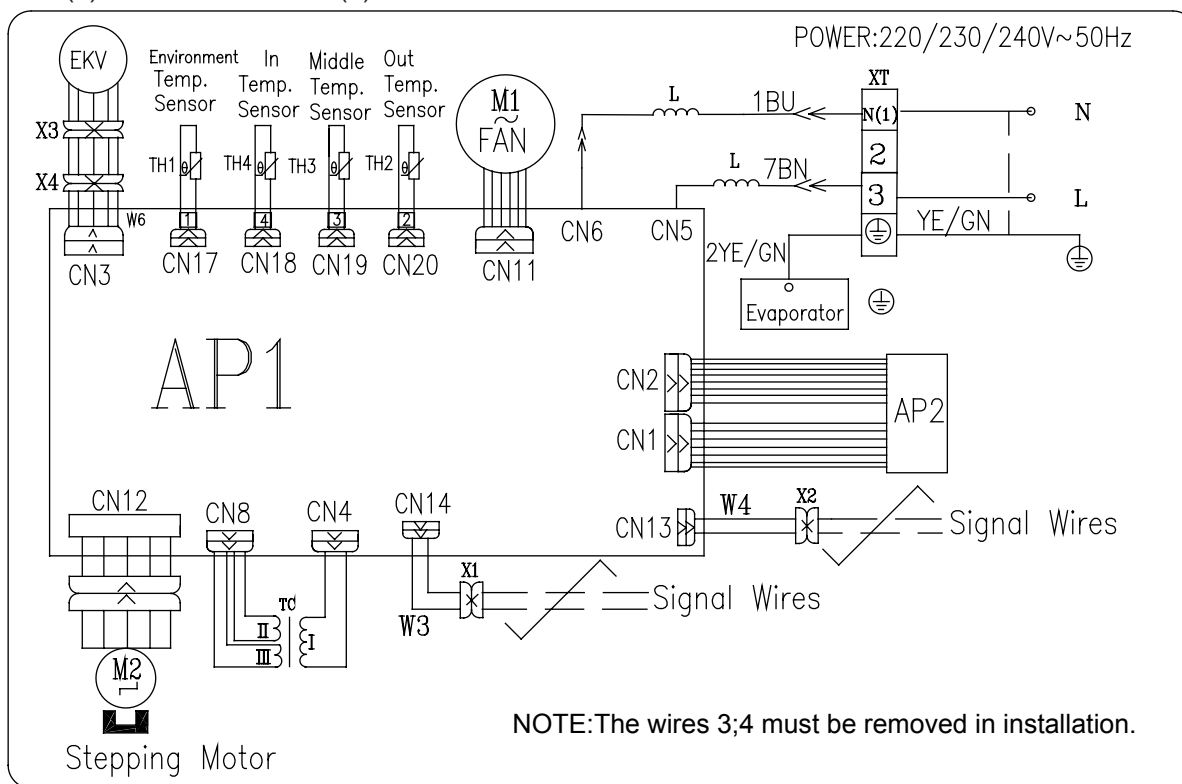
3.2.2 E-Series Duct Type

GMV(L)-R22PS/NaE-K~GMV(L)-R71PS/NaE-K.

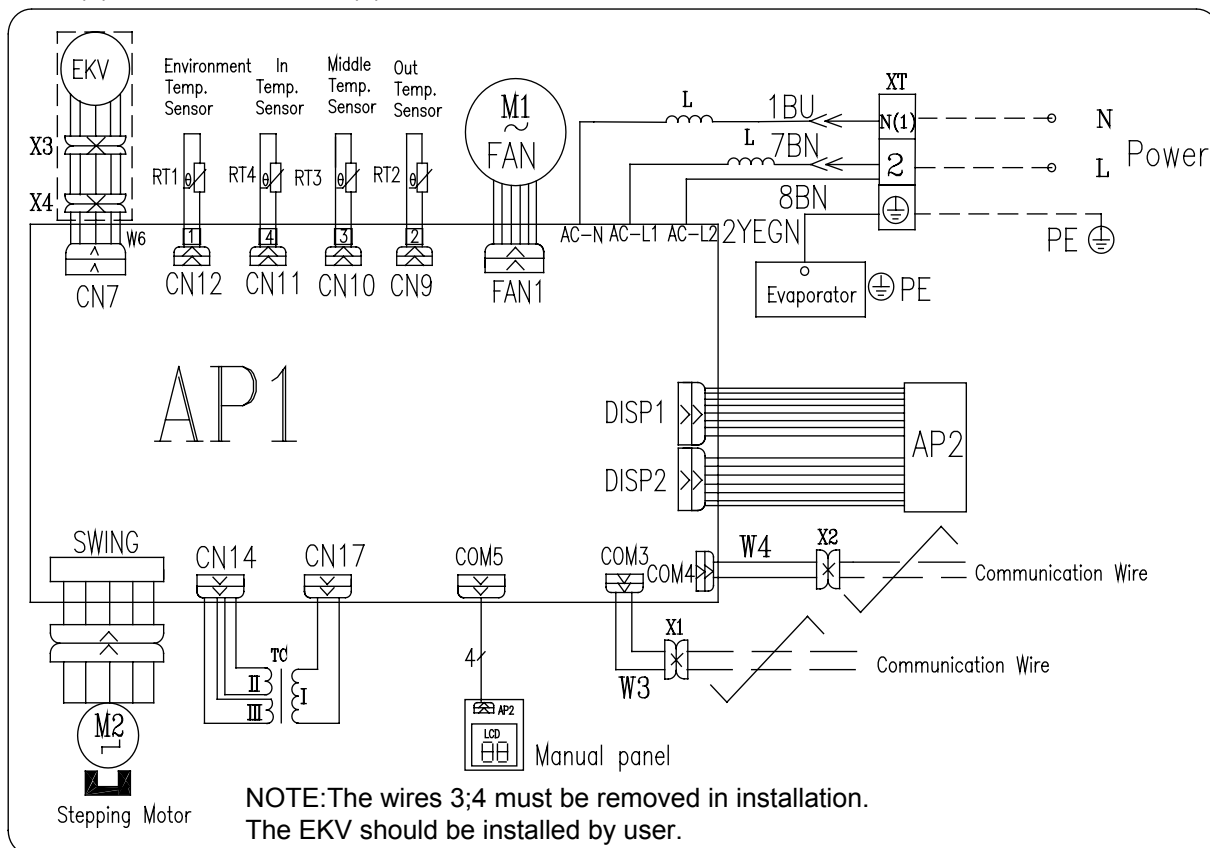


3.3 Wall Mounted Type

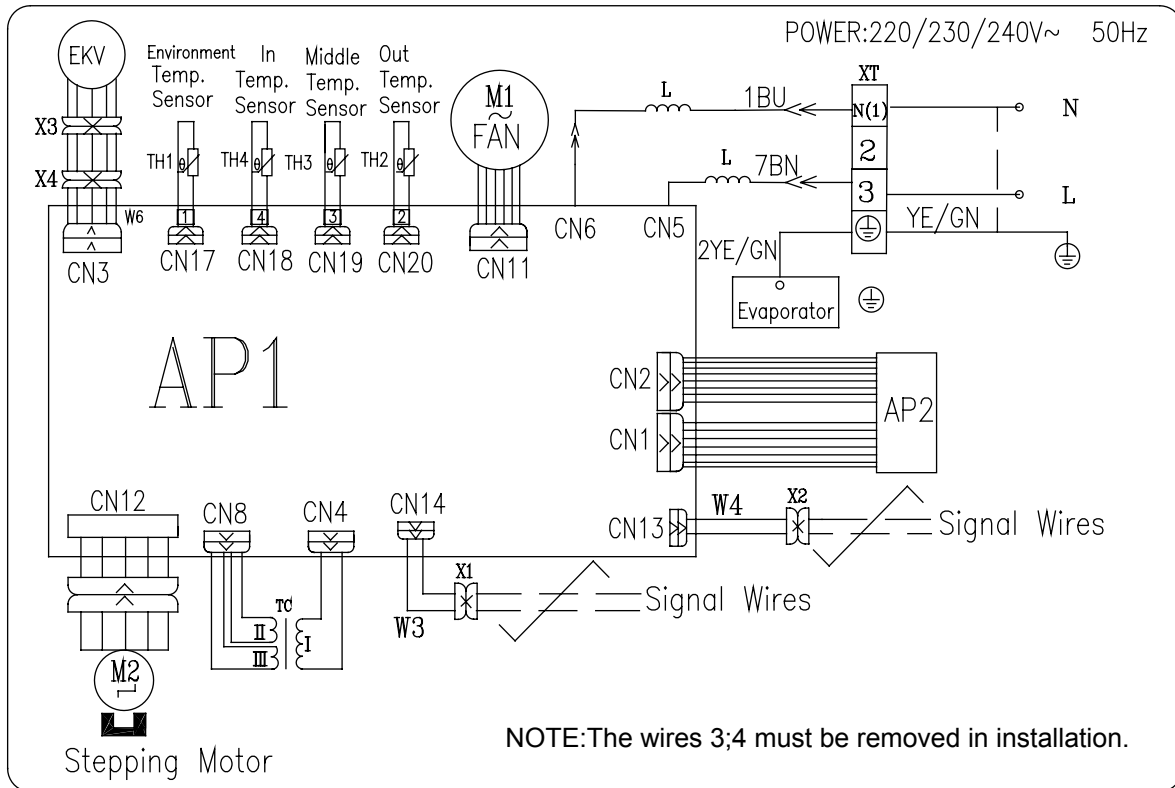
GMV(L)-R22G/NaB-K~GMV(L)-R45G/NaB-K.



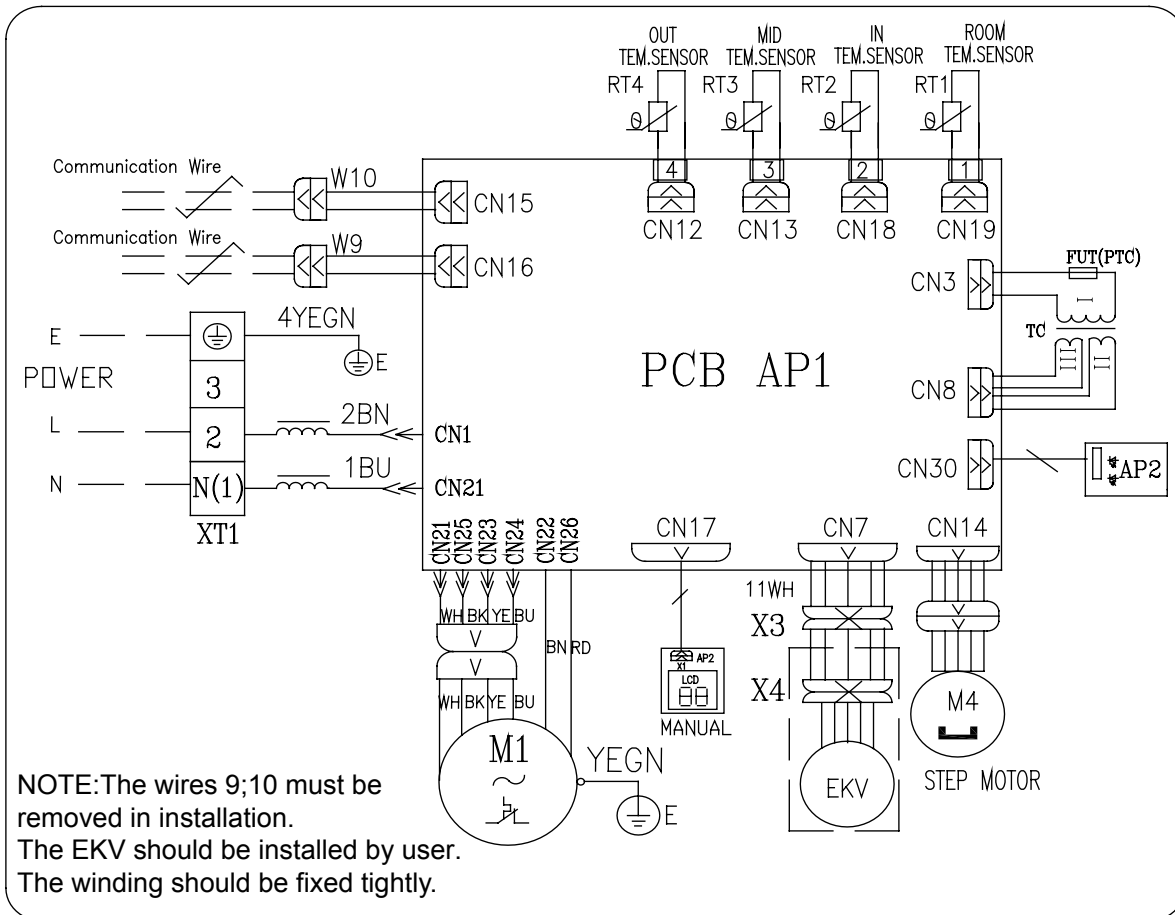
GMV(L)-R50G/NaB-K, GMV(L)-R56G/NaB-K.



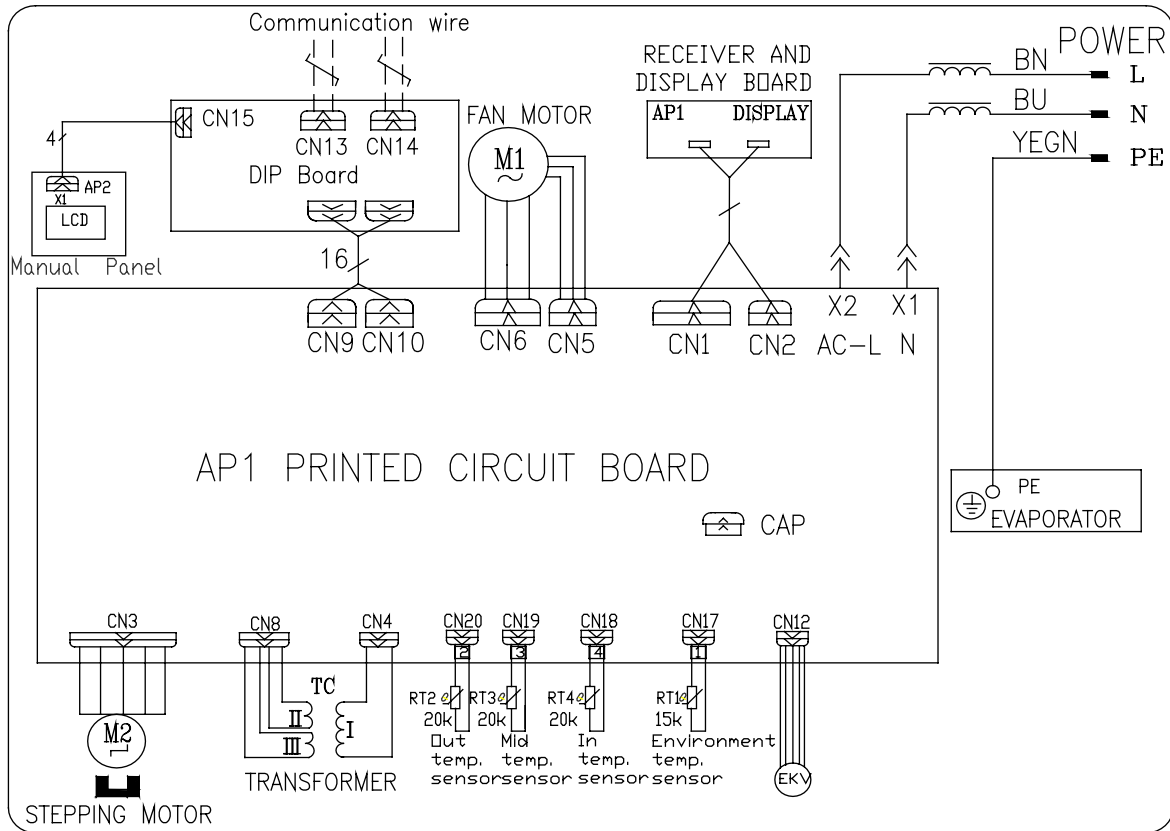
GMV(L)-R22G/NaC-K~GMV(L)-R45G/NaC-K.



GMV(L)-R71G/Na-K, GMV(L)-R80G/Na-K.

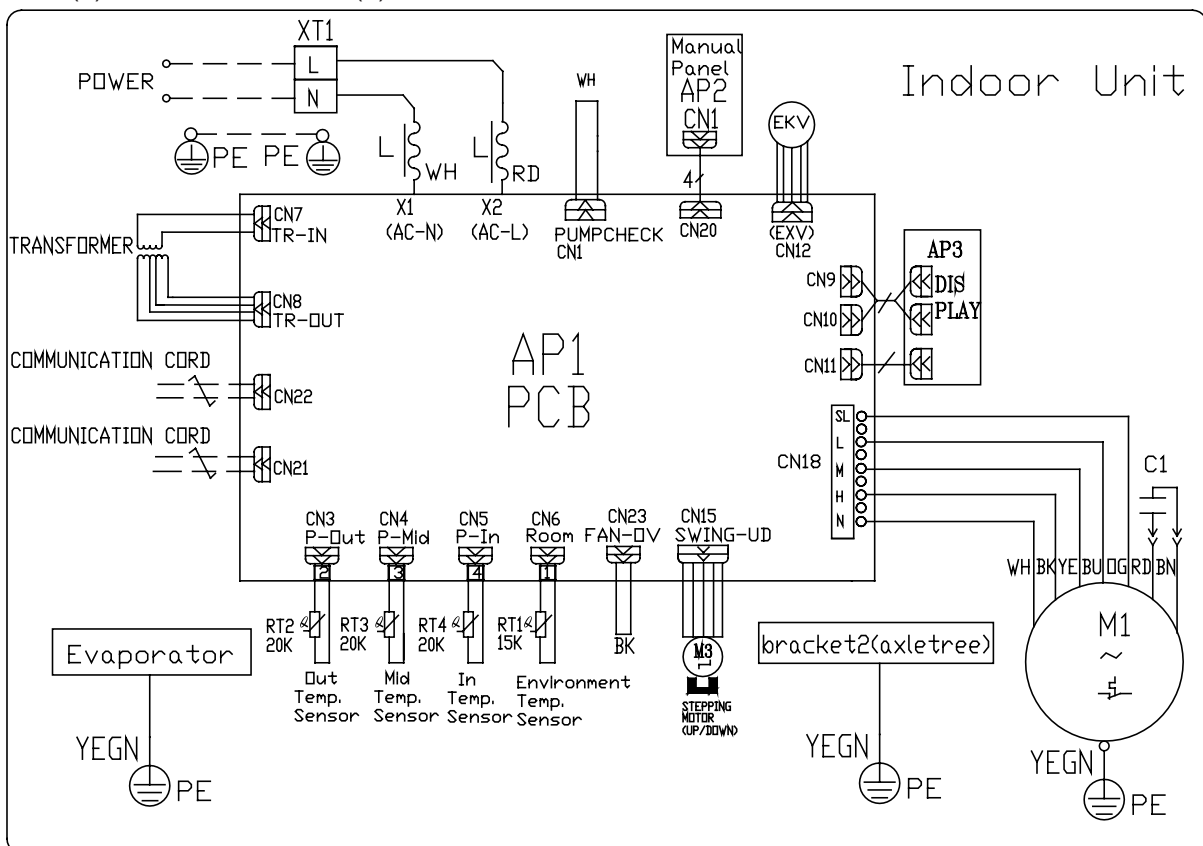


GMV(L)-R22G/NaG-K~GMV(L)-R71G/NaG-K

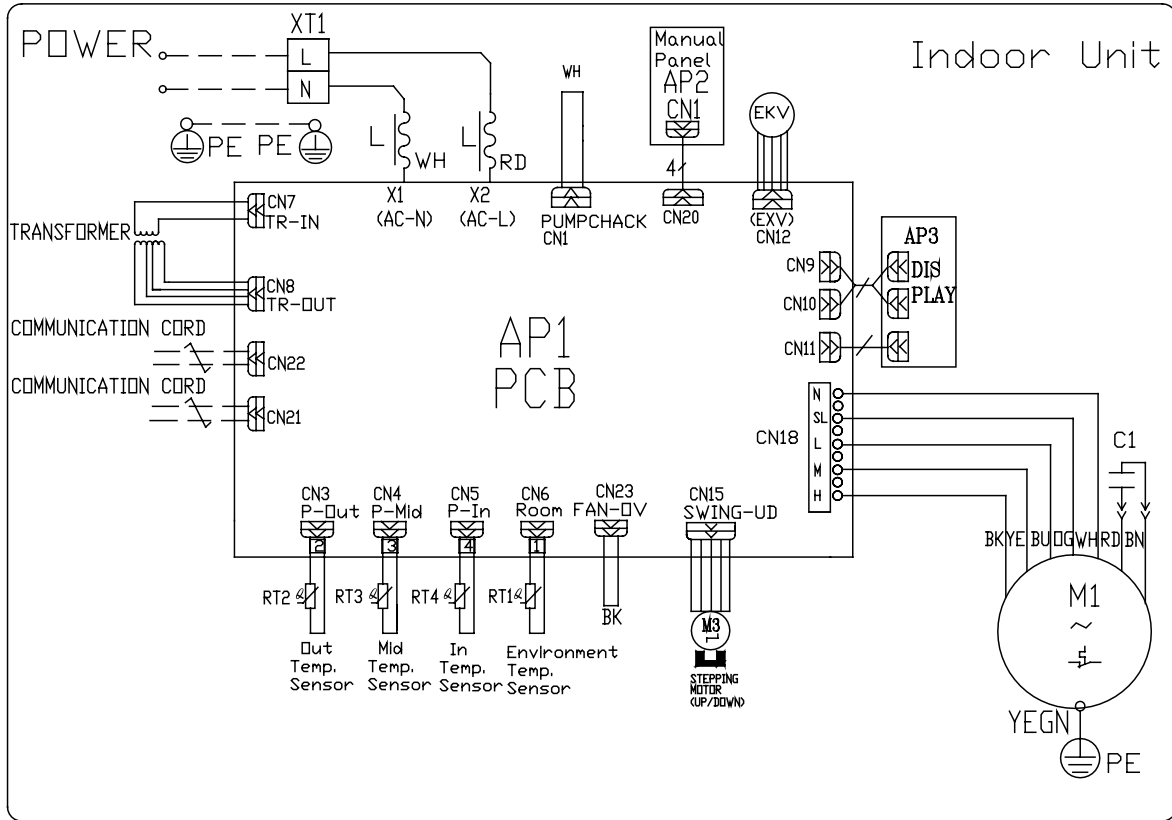


3.4 Floor Ceiling Type

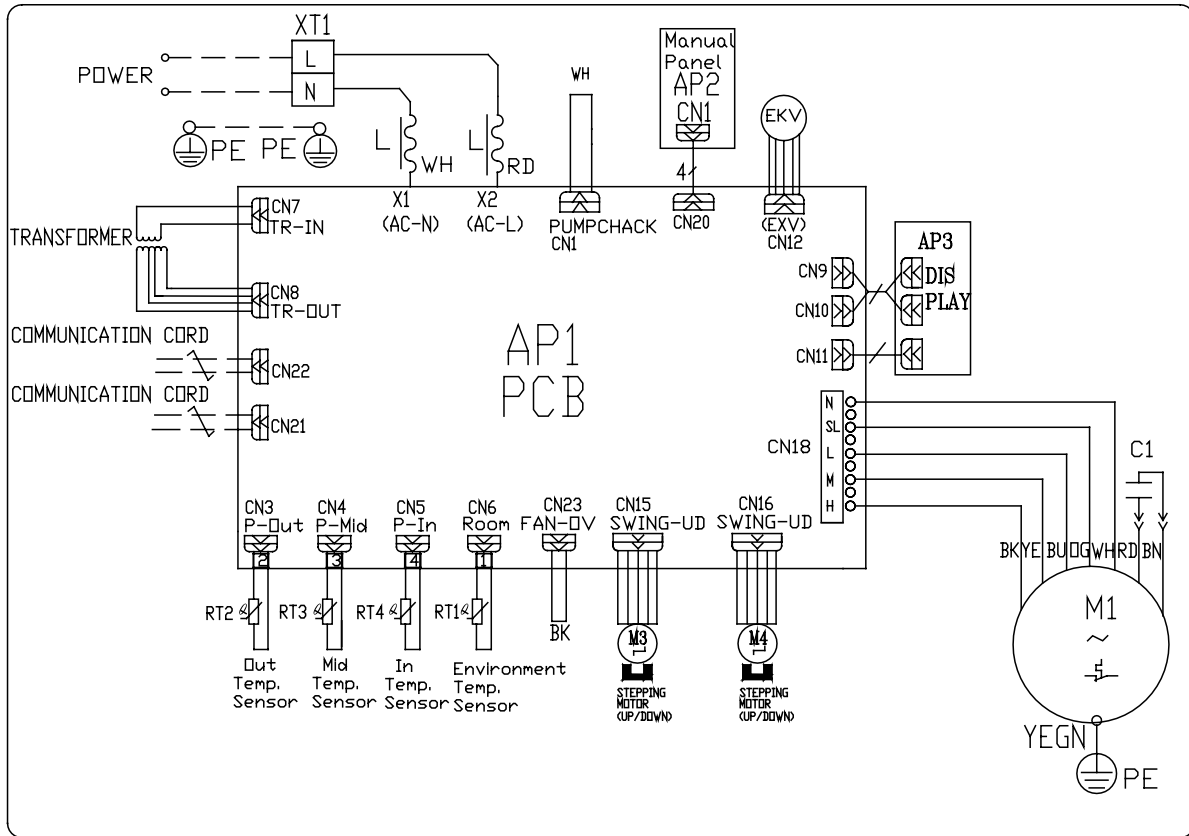
GMV(L)-R28Zd/NaB-K~GMV(L)-R50Zd/NaB-K



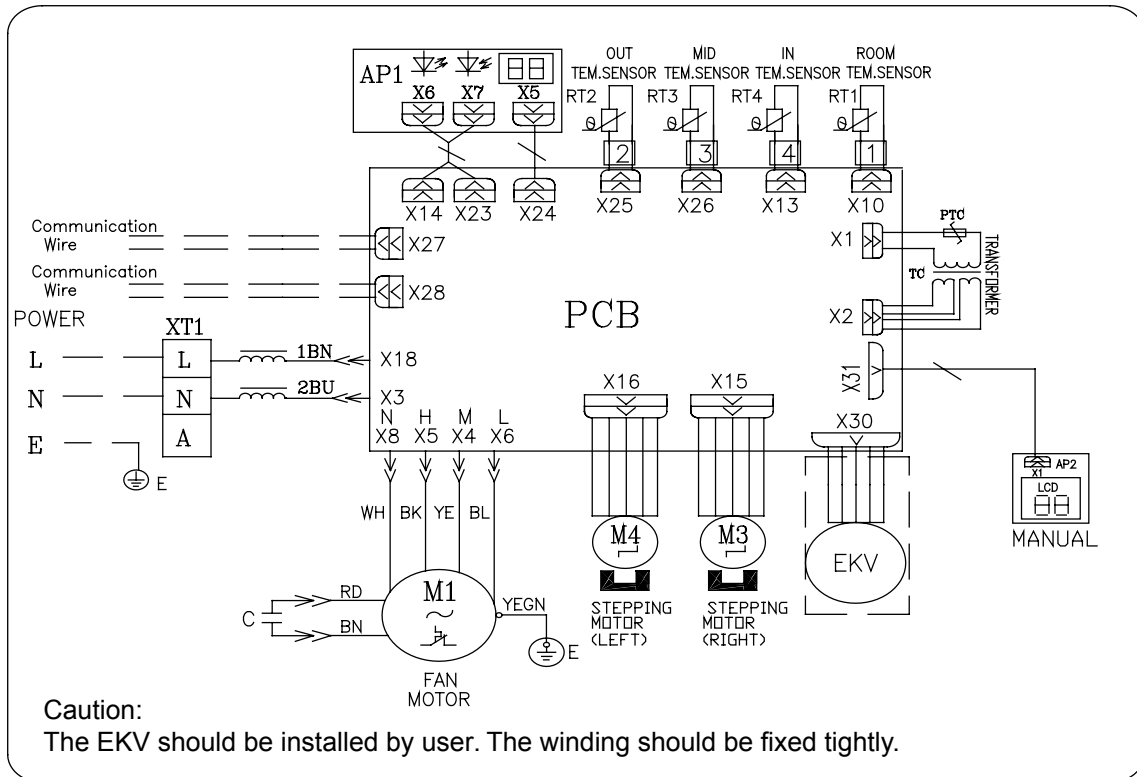
GMV(L)-R71Zd/NaB-K, GMV(L)-R90Zd/NaB-K



GMV(L)-R112Zd/NaB-K, GMV(L)-R125Zd/NaB-K

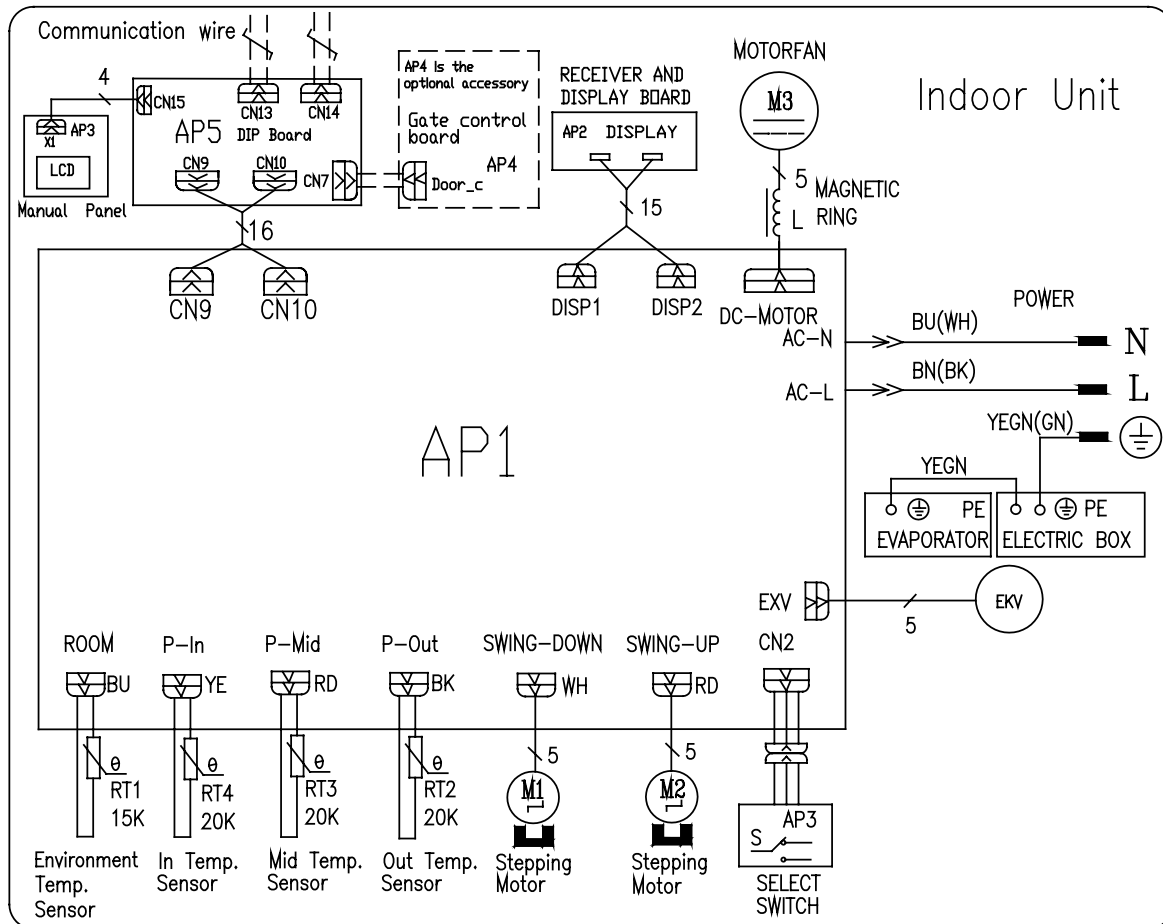


GMV(L)-R28Zd/Na-K~GMV(L)-R125Zd/Na-K.



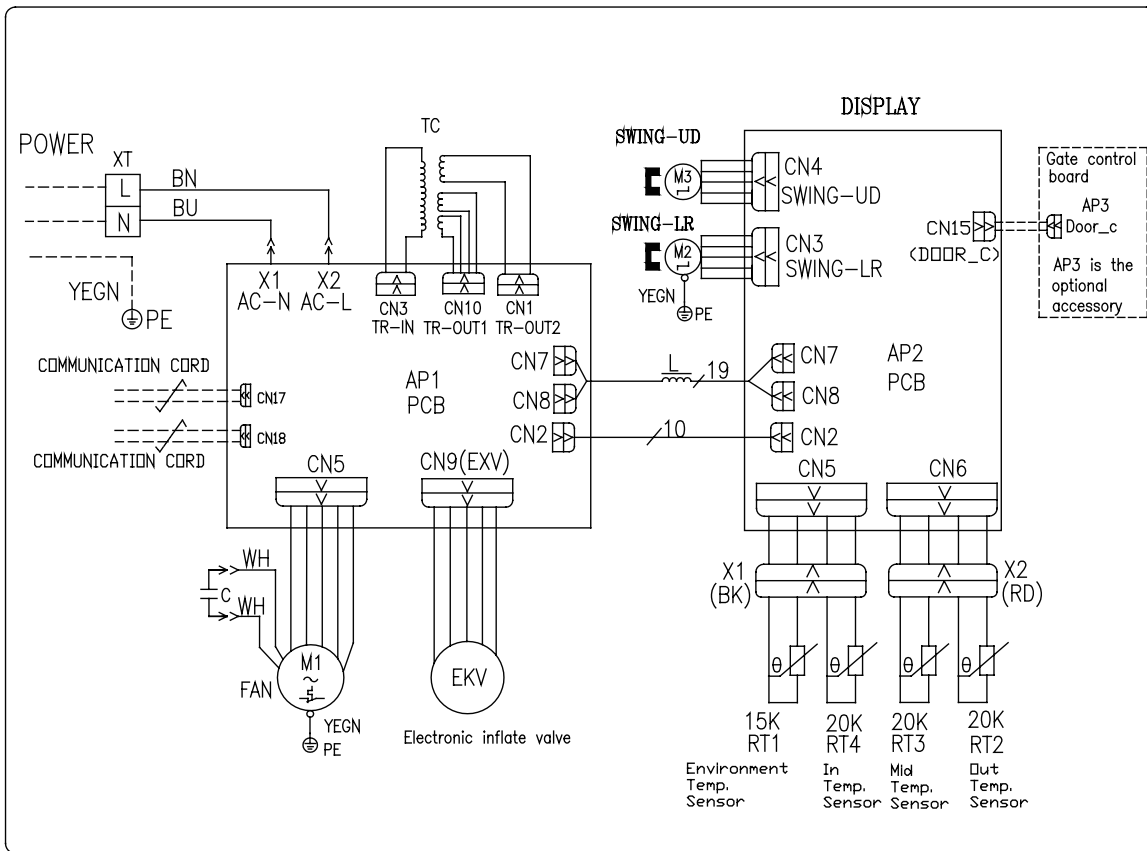
3.5 Floor and Wall Mounted Type

GMV-R28C/Na-K~GMV-R50C/Na-K



3.6 Floor Standing Type

GMV-R71L/Na-K~GMV-R140L/Na-K

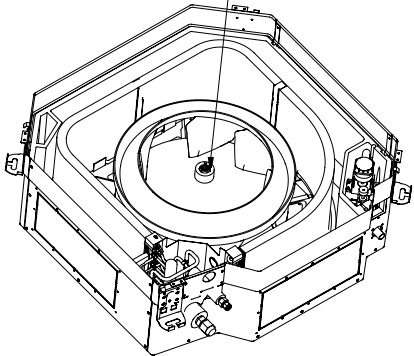
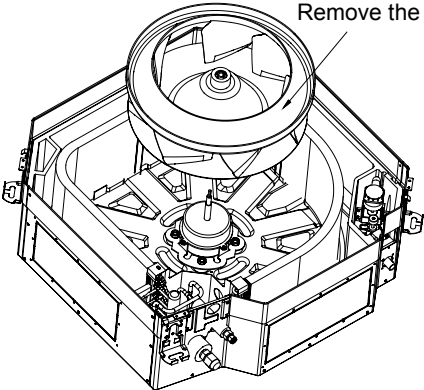
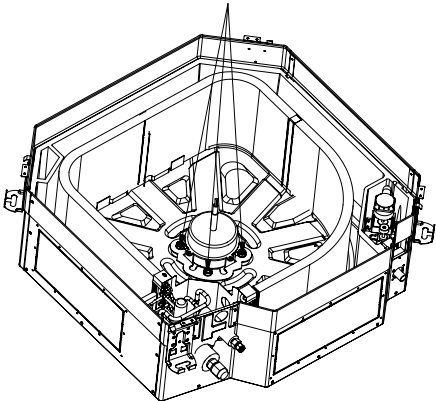
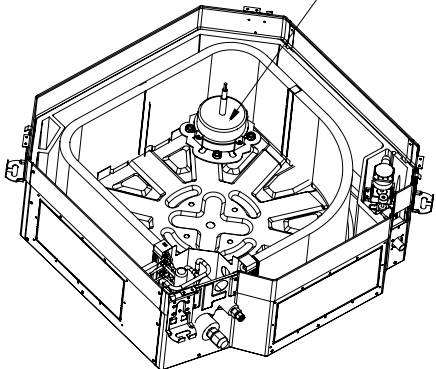


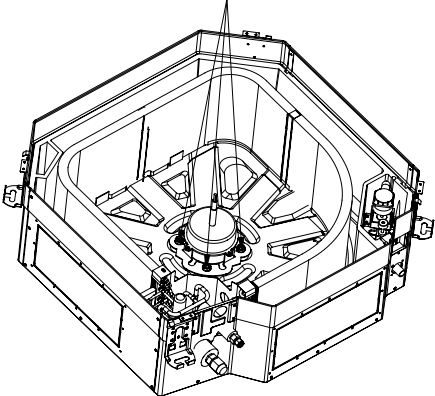
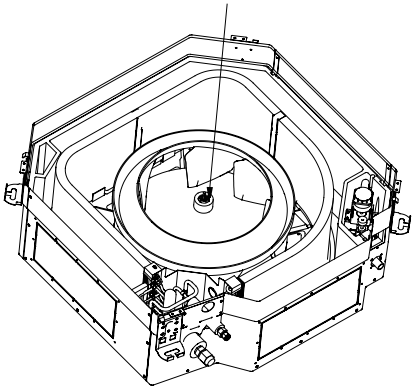
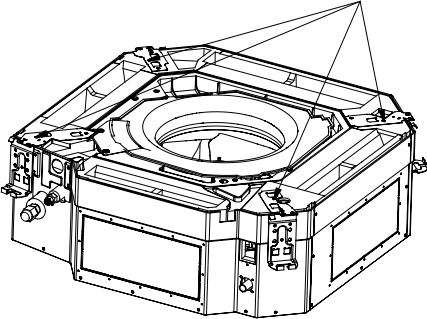
4 DISASSEMBLY AND ASSEMBLY PROCEDURE OF MAIN PARTS

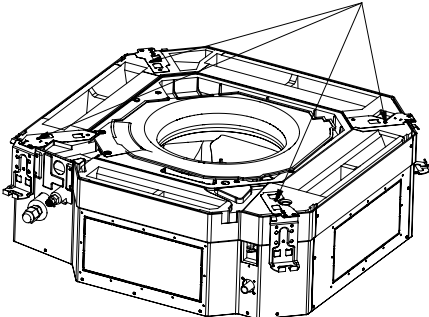
4.1 Cassette Type

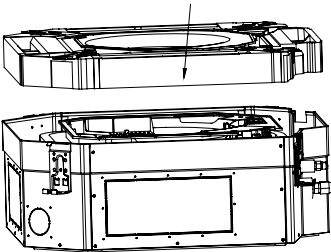
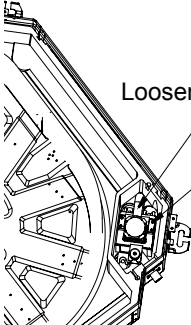
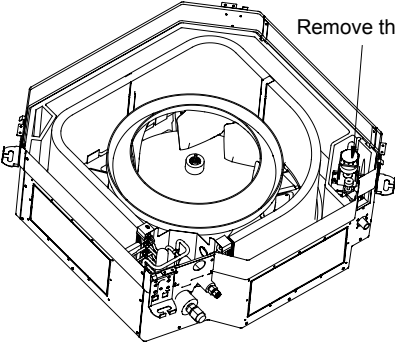
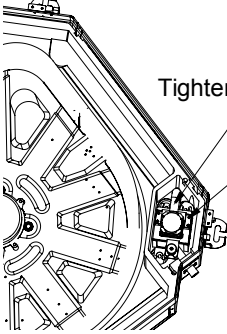
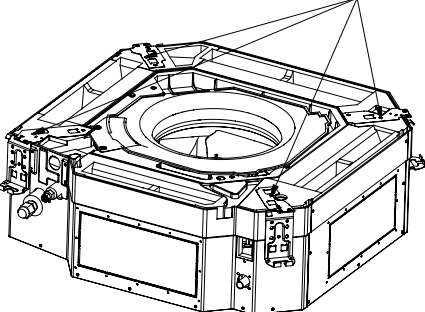
4.1.1 Four-way Cassette Type

Removal and Assembly of Fan Motor		
Steps	Graphic Representation	Instructions
1. Loosen the screws fixing the drain pan	<p>Loosen the screw</p>	<ul style="list-style-type: none"> Use screwdriver to loosen the screws fixing the drain pan
2. Remove the drain pan	<p>Remove the drain pan</p>	<ul style="list-style-type: none"> Remove the drain pan

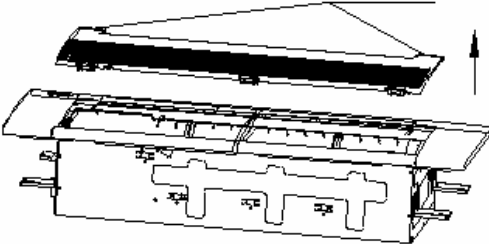
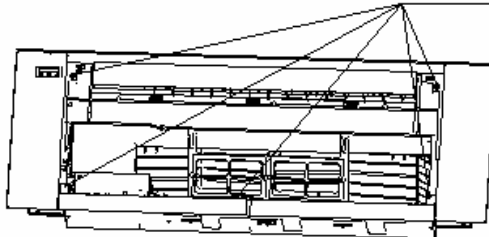
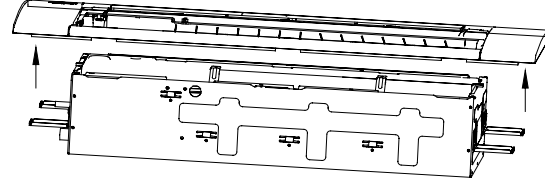
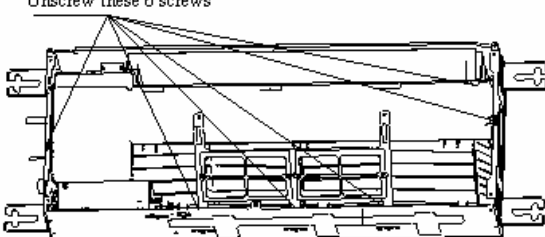
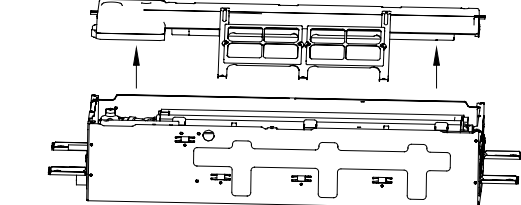
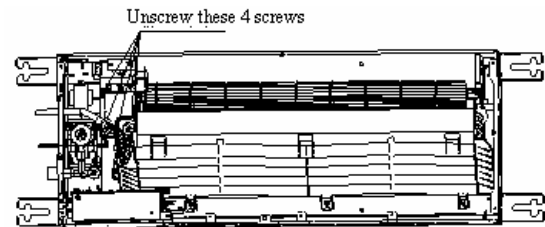
<p>3. Loosen the bolts fixing the fan</p>	<p>Loosen the screw</p> 	<ul style="list-style-type: none"> ●Use spanner to loosen the bolts fixing the fan
<p>4. Remove the fan</p>	<p>Remove the fan</p> 	<ul style="list-style-type: none"> ●Remove the fan
<p>5. Loosen the screws fixing the motor</p>	<p>Loosen the screws fixing the motor</p> 	<ul style="list-style-type: none"> ●Use screwdriver to loosen the screws fixing the motor
<p>6. Remove the motor and replace it</p>	<p>Remove the motor</p> 	<ul style="list-style-type: none"> ●Remove the motor and replace it

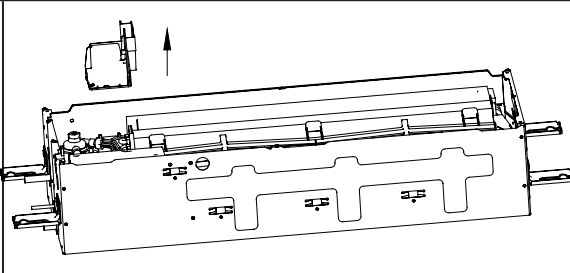
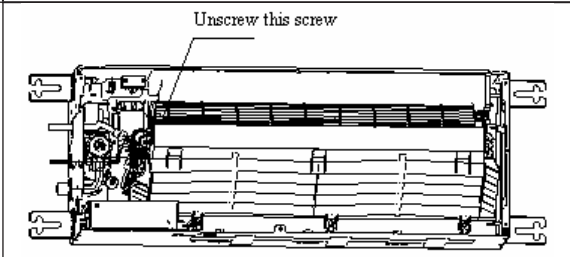
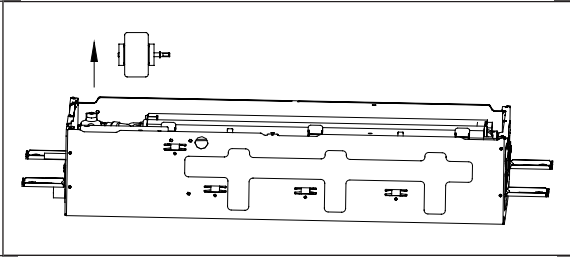
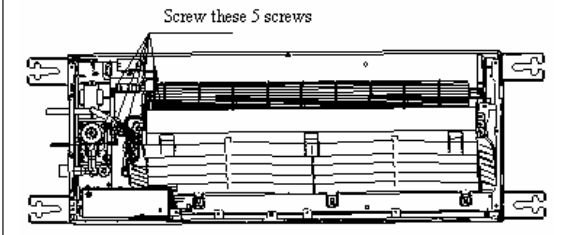
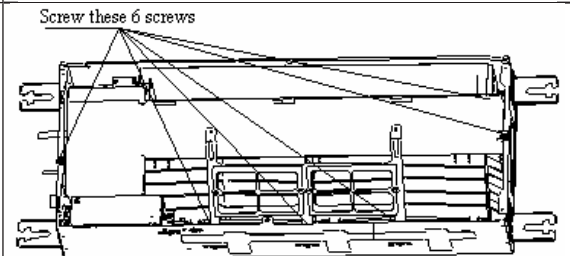
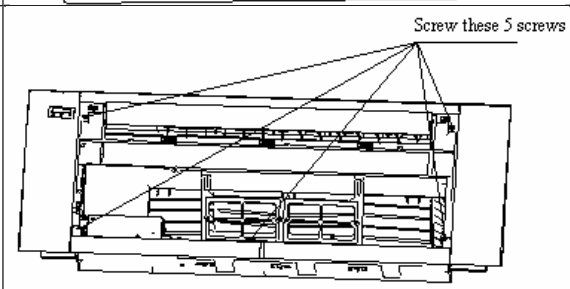
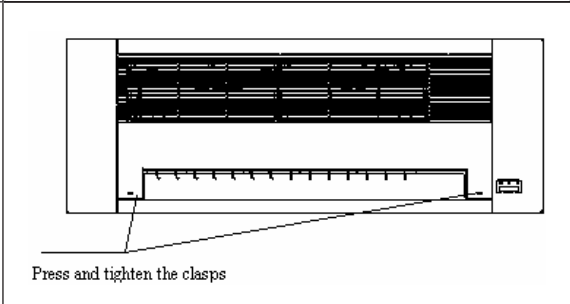
<p>7. Tighten the screws</p>	<p>Tighten the screws fixing the motor</p> 	<ul style="list-style-type: none"> • Tighten screws fixing the motor with a screwdriver.
<p>8. Reinstall the fan blades</p>	<p>Fix the screw</p> 	<ul style="list-style-type: none"> • Place the fan blades at the original position and tighten screw bolts with a spanner.
<p>9. Reinstall the drain pan.</p>	<p>Tighten the screws</p> 	<ul style="list-style-type: none"> • Place the drain pan in the original place and tighten screws around it with a screwdriver.

Assembly and Disassembly of the Water Pump		
Step	Illustration	Handling Instruction
<p>1. Loosen screws.</p>	<p>Loosen the screw</p> 	<ul style="list-style-type: none"> • Loosen screws fixing the drain pan with a screwdriver.

<p>2. Remove the drain pan</p>	<p>Remove the drain pan</p> 	<ul style="list-style-type: none"> • Take out the drain pan upwards away from the unit.
<p>3. Disconnect the drain pipe and loosen the screws fixing the water pump.</p>	<p>Loosen the drainpipe</p> <p>Loosen the screws fixing the water pump</p> 	<ul style="list-style-type: none"> • Draw out the water pipe of the water pump and loosen screws fixing the water pump with a screwdriver.
<p>4. Replace the water pump</p>	<p>Remove the water pump</p> 	<ul style="list-style-type: none"> • Remove the water pump and replace it.
<p>5. Reconnect the drain pipe and tighten the water pump</p>	<p>Tighten the drainpipe</p> <p>Tighten water pump and fix the screw</p> 	<ul style="list-style-type: none"> • Connect the water pipe to the water pump and tighten the removed screws.
<p>6. Reinstall the drain pan</p>	<p>Tighten the screws</p> 	<ul style="list-style-type: none"> • Place the drain pan at the original position and tighten the removed screws.

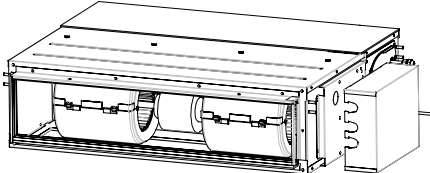
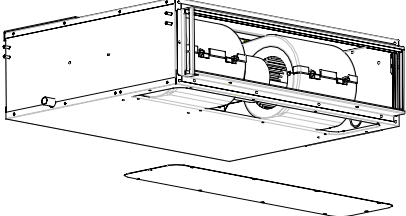
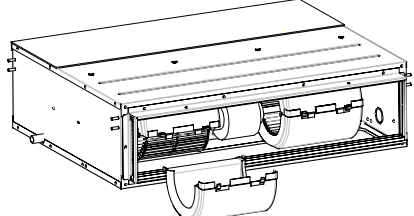
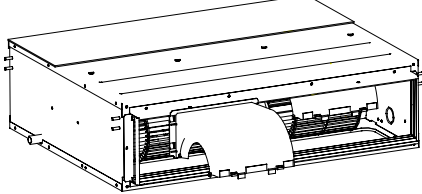
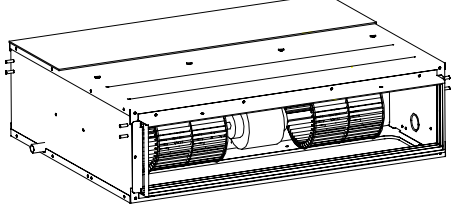
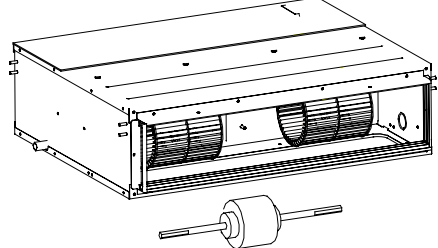
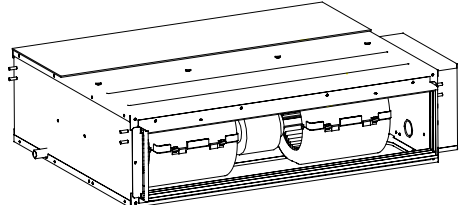
4.1.2 One-way Cassette Type

Assembly and Disassembly of the Water Pump		
Steps	Graphic Representaion	Instructions
1. Remove the front panel.	<p>Clasps at two sides of front panel</p> 	<ul style="list-style-type: none"> • Slight press the locks at both ends of the front panel to open one side of it, and then undo three clasps to open the other side of the panel, after that, remove the panel upward away from the unit.
2. Loosen screws.	<p>Unscrew these 5 screws</p> 	<ul style="list-style-type: none"> • Loosen screws fixing the front panel and main body of the unit with a screwdriver.
3. Remove the front panel assembly.		<ul style="list-style-type: none"> • Remove the front panel assembly upward away from the unit.
4. Loosen screws.	<p>Unscrew these 6 screws</p> 	<ul style="list-style-type: none"> • Loosen screws around the drain pan with a screwdriver.
5. Remove the drain pan and the bracket of the filtering screen.		<ul style="list-style-type: none"> • Remove the drain pan and the bracket of the filtering screen upward away from the unit.
6. Loosen the fixing screw of motor cover	<p>Unscrew these 4 screws</p> 	<ul style="list-style-type: none"> • Loosen the fixing screw of motor cover with screwdriver

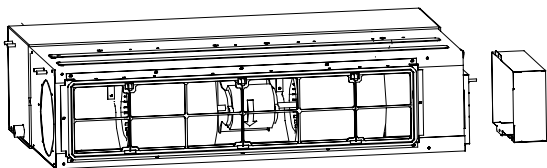
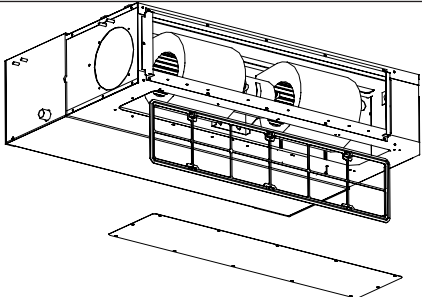
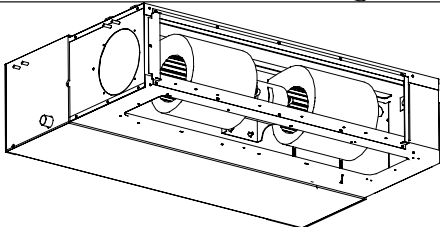
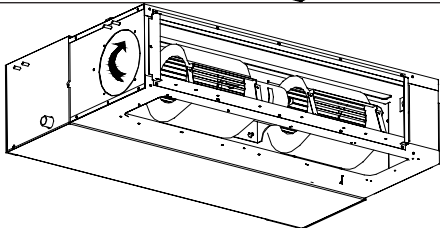
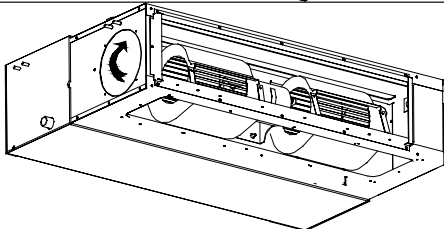
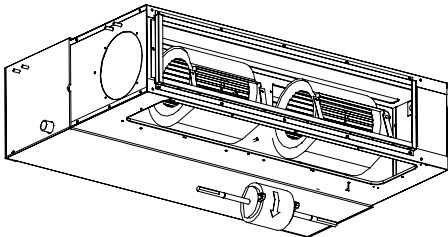
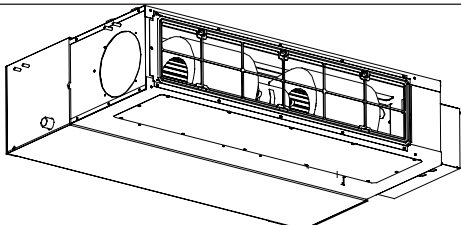
<p>7. Remove motor cover subassembly</p>		<ul style="list-style-type: none"> Remove motor cover subassembly
<p>8. Loosen screws.</p>		<ul style="list-style-type: none"> Loosen screws around the water pump with a screwdriver, and then draw the water pipe out from the water pump.
<p>9. Replace the water pump</p>		<ul style="list-style-type: none"> Take out the original water pump and install a new one.
<p>10. Reconnect the water pipe of the water pump</p>		<ul style="list-style-type: none"> Connect the water pipe to the water pump and then tighten screws around it.
<p>11. Reinstall the drain pan and the bracket of the filtering screen.</p>		<ul style="list-style-type: none"> Place the drain pan and the bracket of the filtering screen at the original position, and then tighten screws around them with a screwdriver.
<p>12. Reinstall the front panel assembly.</p>		<ul style="list-style-type: none"> Place the front panel assembly at the original place and tighten screws around it with a screwdriver.
<p>13. Reinstall the front panel.</p>		<ul style="list-style-type: none"> Put the front panel at the original place, and press the locks at both ends to secure it.

4.2 Duct Type

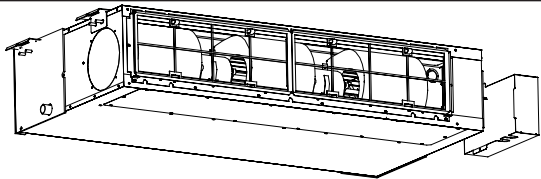
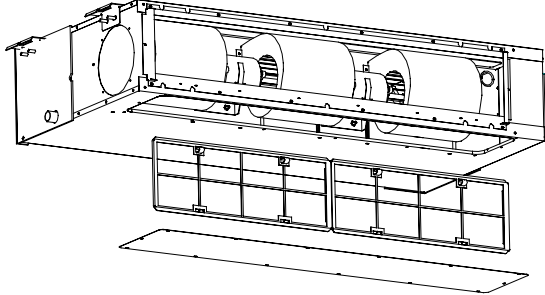
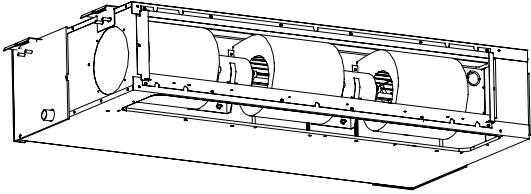
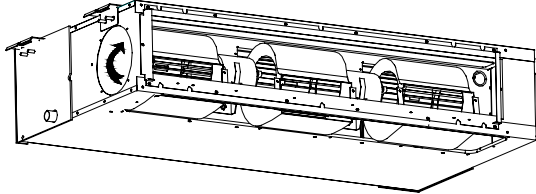
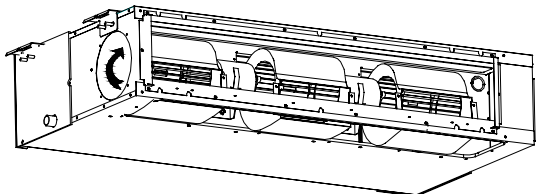
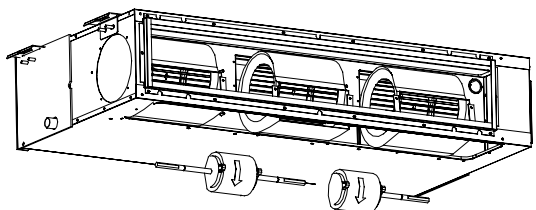
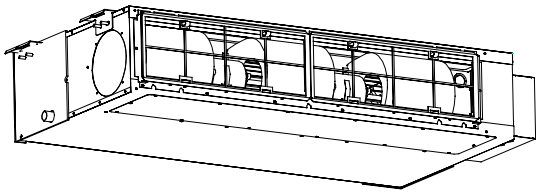
4.2.1 Duct Type Unit:2.2 kW~5.0 kW

Assembly and Disassembly of the Fan Motor		
Note: Be sure to cut off the power supply before the assembly and disassembly.		
Steps	Graphic Representation	Instructions
1. Disconnect the power cord of the motor		<ul style="list-style-type: none"> ● Cut off the power supply to the indoor unit, remove the electric box cover with a screwdriver, and then disconnect the wire of the motor from the wiring terminal inside the electric box.
2. Remove the return air cover plate.		<ul style="list-style-type: none"> ● Loosen screws on the return air cover plate with a screwdriver.
3. Remove the Rear Volute Casing.		<ul style="list-style-type: none"> ● Undo the clasp between the rear and Front Volute Casing, and then remove the rear one.
4. Remove the Front Volute Casing.		<ul style="list-style-type: none"> ● Loosen screws on the Front Volute Casing and remove it.
5. Loosen screws.		<ul style="list-style-type: none"> ● Loosen Allen screws on the fan blades and undo the clasp on the motor.
6. Remove the motor		<ul style="list-style-type: none"> ● Take out the motor.
7. Replace the motor		<ul style="list-style-type: none"> ● Assemble the unit as before and take a power-on test.

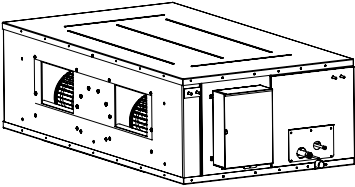
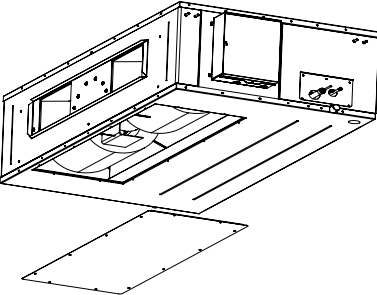
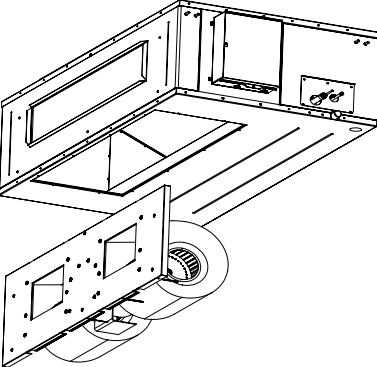
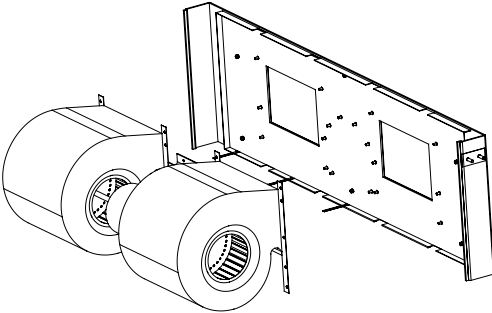
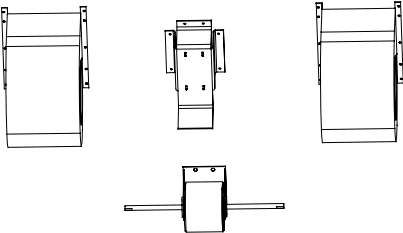
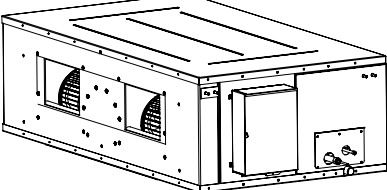
4.2.2 Duct Type Unit: 5.6 kW~8.0 kW

Assembly and Disassembly of the Fan Motor		
Note: Be sure to cut off the power supply before the assembly and disassembly.		
Steps	Graphic Representation	Instructions
1. Disconnect the power cord of the motor		<ul style="list-style-type: none"> ● Cut off the power supply to the indoor unit, remove the electric box cover with a screwdriver, and then disconnect the wire of the motor from the wiring terminal inside the electric box.
2. Remove the filtering screen and the return air cover plate.		<ul style="list-style-type: none"> ● Move the filtering screen out of the return air frame and remove the return air cover plate with a screwdriver.
3. Loosen screws.		<ul style="list-style-type: none"> ● Loosen screws on the fan with a screwdriver.
4. Turn over the volute casings.		<ul style="list-style-type: none"> ● Turn the volute casing to the return air inlet as per the arrowed direction.
5. Loosen screws.		<ul style="list-style-type: none"> ● Loosen Allen screws on the fan blades and also the clasp on the motor.
6. Replace the motor		<ul style="list-style-type: none"> ● Take out the original motor and install a new one.
7. Assemble the unit		<ul style="list-style-type: none"> ● Assemble the unit as before and then take a power-on test.

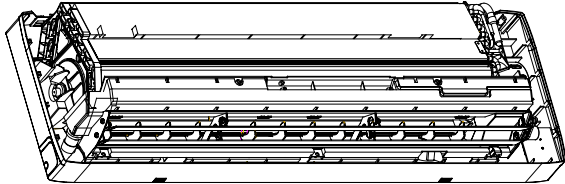
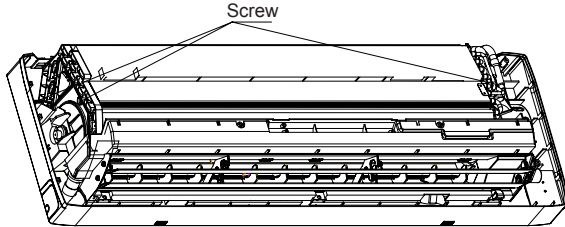
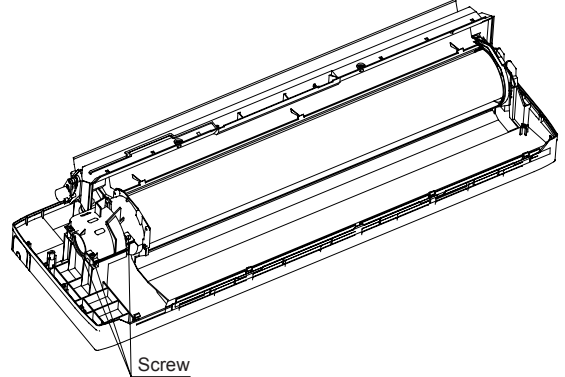
4.2.3 Duct Type Unit: 9.0 kW~14.0 kW

Assembly and Disassembly of the Fan Motor		
Note: Be sure to cut off the power supply before the assembly and disassembly.		
Steps	Graphic Representation	Instructions
1. Disconnect the power cord.		<ul style="list-style-type: none"> ●Cut off the power supply of indoor unit. Use screwdriver to remove the electric box cover and unplug the motor cables in electric box
2. Remove the filtering screen and the return air cover plate		<ul style="list-style-type: none"> ●Remove the filter sub-assembly from the air inlet frame and use screwdriver to remove the return air cover board.
3. Loosen screws		<ul style="list-style-type: none"> ●Remove the screws on fan sub-assembly.
4. Turn over the volute casings.		<ul style="list-style-type: none"> ●Rotate the propeller housing to the air inlet opening according to arrow direction.
5. Remove the fan blades and the fan motor.		<ul style="list-style-type: none"> ●Use inner hexagonal spanner to loosen the screws on fan and remove the clamp fixing the motor.
6. Replace the fan motor.		<ul style="list-style-type: none"> ●Firstly, disengage the motor from motor support. Then, sequentially disengage the fan sub-assembly from the motor shaft. Remove the motor from the air inlet and replace with new motor. In which, for the motor with automatic motor support, the motor support shall be removed in advance and then changed to the unit.
7. Assemble the unit		<ul style="list-style-type: none"> ●Assemble the unit in reverse to the disassembly procedures and energize it for testing.

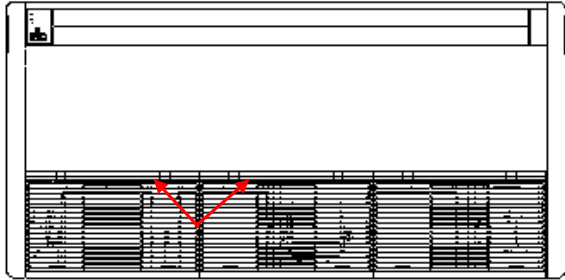
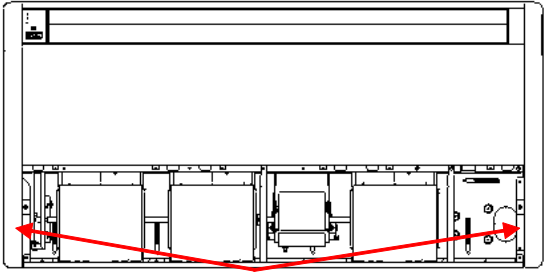
4.2.4 Duct Type Unit: 22.4 kW~28.0 kW

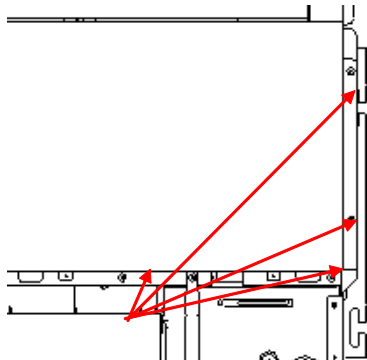
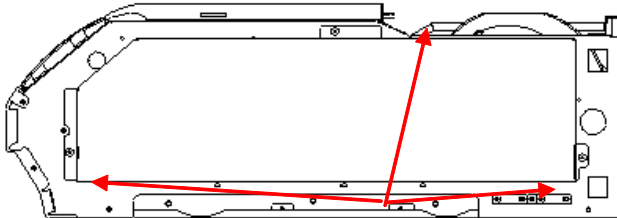
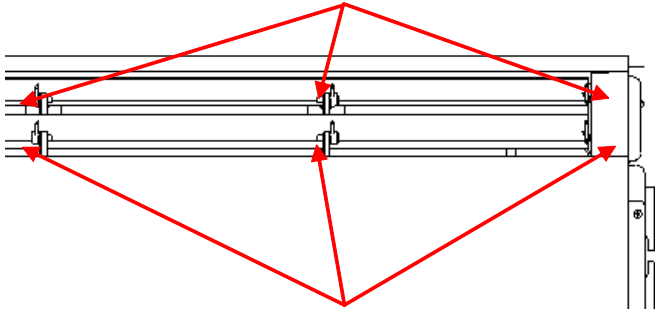
Removal and Assembly of Fan Motor		
Remarks: Before removing the fan, make sure to cut off the power firstly.		
Steps	Graphic Representation	Instructions
1. Unplug the motor cables (disconnect power cord)		<ul style="list-style-type: none"> ● Cut off the power supply of indoor unit. Use screwdriver to remove the electric box cover and unplug the motor cables in electric box.
2. Remove the service panel.		<ul style="list-style-type: none"> ● Remove the service panel under the fan.
3. Remove the fan subassembly.		<ul style="list-style-type: none"> ● Remove connecting bolt. Hold the fan subassembly and remove it.
4. Remove the fan.		<ul style="list-style-type: none"> ● Remove the screw connecting the fan. Remove the fan.
5. Remove the motor and replace it.		<ul style="list-style-type: none"> ● Remove the screws fixing the motor. Remove the fans on both sides. Replace the motor.
6. Reinstall the unit.		<ul style="list-style-type: none"> ● Reinstall the unit according to the above sequence.

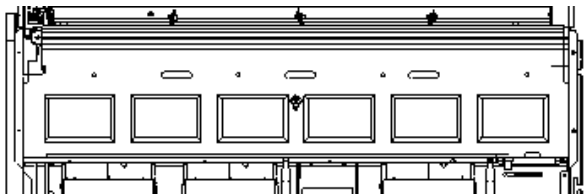
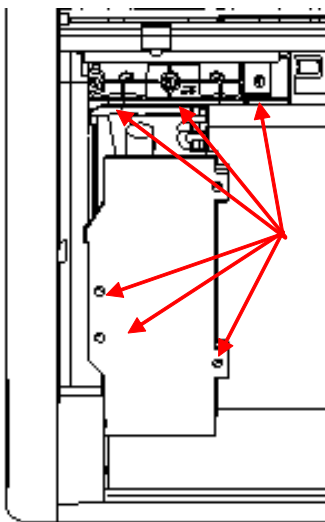
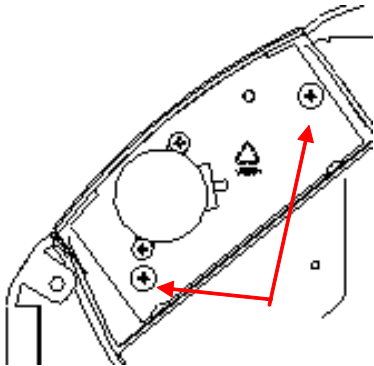
4.3 Wall Mounted Type

Assembly and Disassembly of the Fan Motor		
Note: Be sure to cut off the power supply before the assembly and disassembly.		
Steps	Graphic Representation	Instructions
1. Remove the front panel, front panel assembly and electric box		<ul style="list-style-type: none"> Loosen screws on the front panel, front panel assembly and electric box with a screwdriver. Disconnect the wire of the motor from the wiring terminal inside the electric box, and then remove the ground screw
2. Remove the evaporator		<ul style="list-style-type: none"> Loosen the screw bolts at both ends of the evaporator with a spanner and then take the evaporator out.
3. Remove the fan motor and the cross-flow blades		<ul style="list-style-type: none"> Loosen screws on the holding-down plate of the motor with a screwdriver and also screws fixing the motor and the cross-flow blades to separate them.

4.4 Floor Ceiling Type

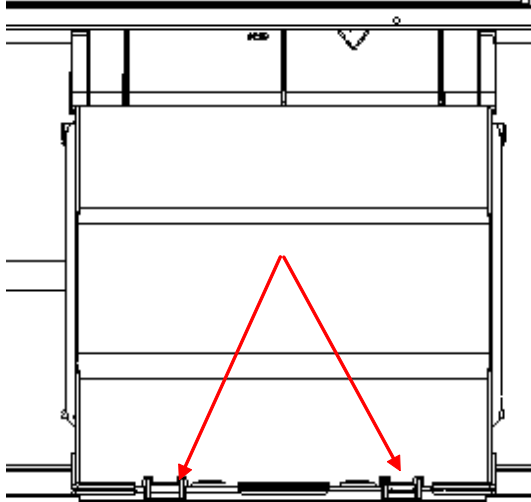
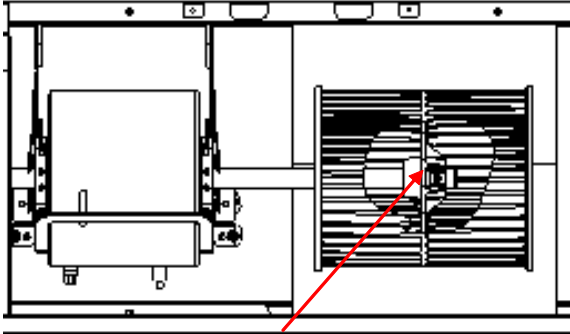
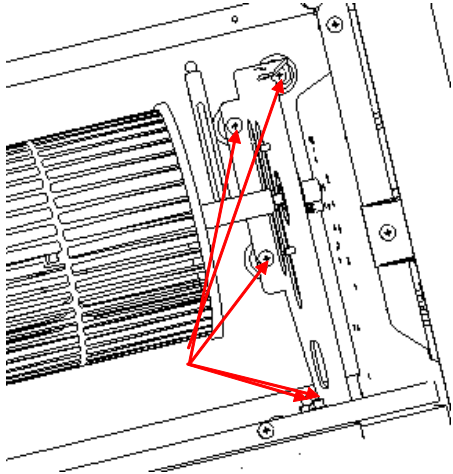
Disassembly of panel grating module		
<p>Remark: Make sure that the power supply is cut off before disassembling and protect all the parts during disassembly. Do not put filter screen near the high temperature heat source.</p>		
Step	Illustration	Handling Instruction
Remove Sub-Assy of front grill		<ul style="list-style-type: none"> ● Move down the clip of the Sub-Assy of front grill until the front grill is open. (As is shown in the graph, arrow represents the position of buttons. There are two clips for each grating.)
Remove right and left finishing plates		
<p>Remark: Make sure the power supply is cut off before disassembling and protect all the parts during disassembly. Do not scratch the outer parts.</p>		
Step	Illustration	Handling Instruction
Remove right and left finishing plates		<ul style="list-style-type: none"> ● Remove the screws as shown in the graph with screwdriver and then push upward to remove the right and left finishing plates. (As is shown in the graph, arrow represents the position of screws.)

Remove panel parts		
Remark: Make sure the power supply is cut off before disassembling and protect all the parts during disassembly. Do not scratch the outer parts.		
Step	Illustration	Handling Instruction
Remove panel parts		<ul style="list-style-type: none"> Remove the screws shown by the arrow in the graph with screwdriver (two on both right and left and 4 in the front) and then remove the panel parts.
Remove Sub-Assy of electric box		
Remark: Make sure that the power supply is cut off before disassembling and protect all the parts during disassembly, especially the components inside the box in case of water and hit.		
Step	Illustration	Handling Instruction
1. Remove of electric box cover		<ul style="list-style-type: none"> Remove 3 screws as shown by the arrow in the graph on left and remove the electric box cover.
Remove air deflecting plate modules		
Remark: Make sure the power supply is cut off before disassembling and protect all the parts during disassembly, especially the joints of the air deflecting plate.		
Step	Illustration	Handling Instruction
Remove Sub-Assy of air deflecting plate		<ul style="list-style-type: none"> Remove the air deflecting plates from the air deflecting plate support assembly, and then remove both ends from the air sweeping motor joint (As is shown in the graph, arrow represents the support assembly and circle the air sweeping motor joint.)

Remove water-containing plate modules		
Remark: Make sure the power supply is cut off before disassembling and protect all the parts during disassembly.		
Step	Illustration	Handling Instruction
Remove water-containing plate modules		<ul style="list-style-type: none"> remove the water-containing plate modules.
Remove evaporator components		
Remark: Make sure that the power supply is cut off and protect the copper tube and aluminum fin. If the time for disassembly shall be long, seal the copper tube .		
Step	Illustration	Handling Instruction
Remove evaporator components		<ul style="list-style-type: none"> Remove the screws as shown by the arrow in the graph with screwdriver. (There are 6 screws on left and right of the evaporator and 5 on evaporator outlet press plate modules)
Remove fixing plate Sub-Assy for air sweeping fans		
Remark: Make sure that the power supply is cut off before disassembling and protect all the parts during disassembly.		
Step	Illustration	Handling Instruction
Remove fixing plate Sub-Assy for air sweeping fans		<ul style="list-style-type: none"> Remove the screws shown in the graph with screwdriver.

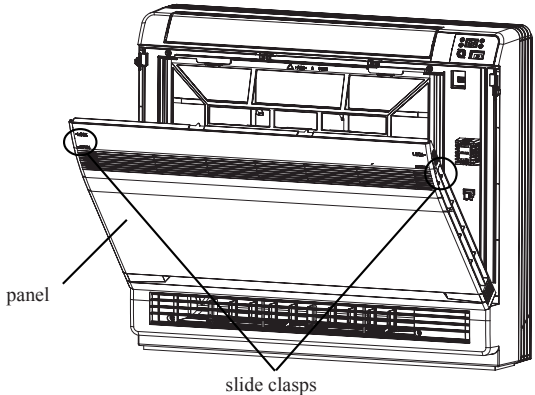
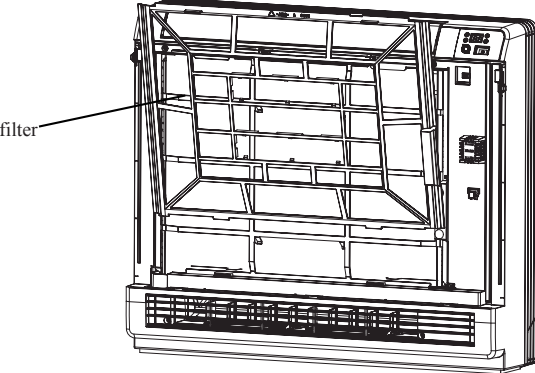
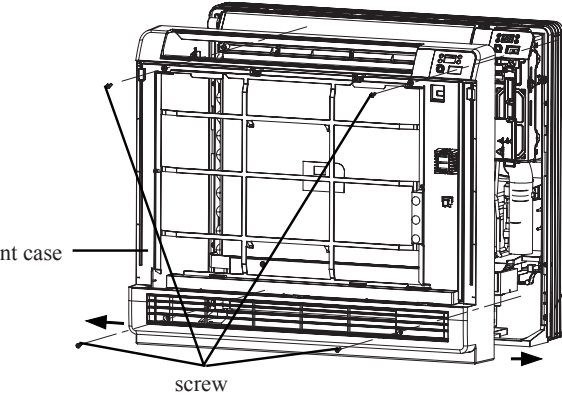
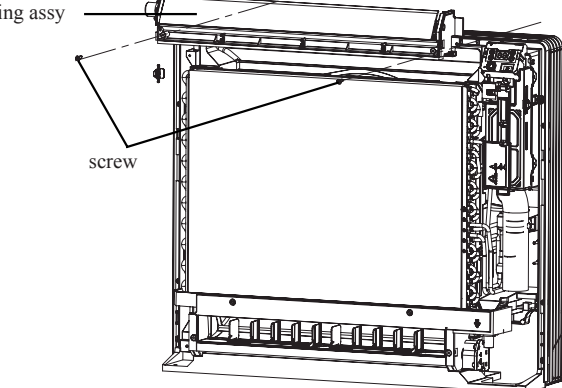
Remove fan and motor components

Remark: Make sure that the power supply is cut off before disassembling and protect all the parts during disassembly, especially the fastening screws for fans.

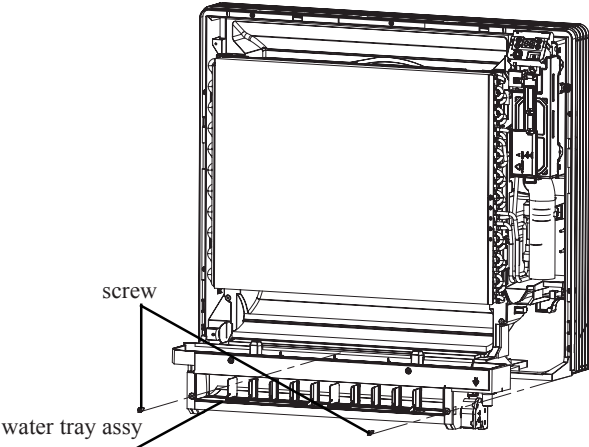
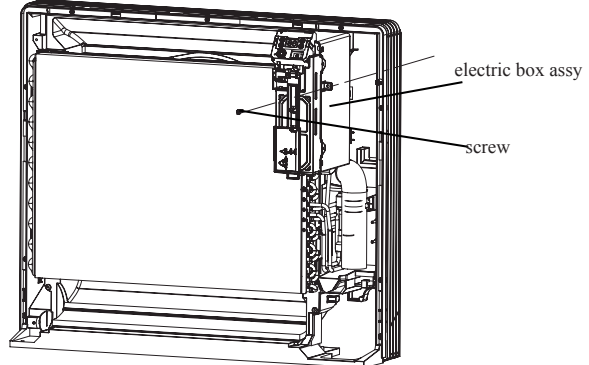
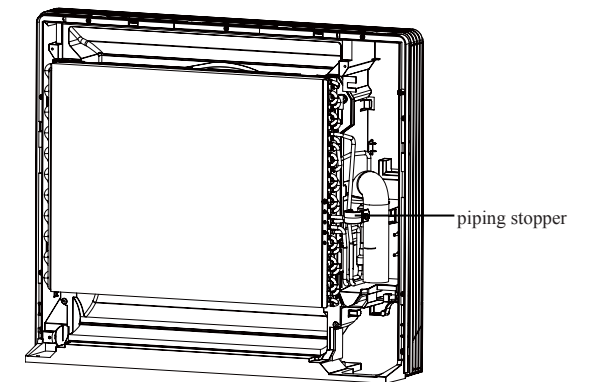
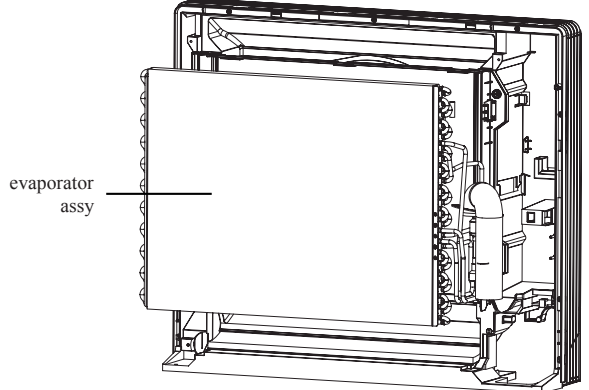
Step	Illustration	Handling Instruction
<p>1. Remove front and back scroll cases</p>		<ul style="list-style-type: none"> ● Press the buckle at the joints of front and back scroll cases with hands and pull upward to remove the front scroll case. Then remove the screws on the back scroll case. Lift the buckle of back scroll case with hands and remove it. (As is shown in the graph, circle represents 2 screws on left and right.)
<p>2. Remove fans</p>		<ul style="list-style-type: none"> ● Remove the fixing screws of fan wheel with inner hexagonal and remove the wheel. The inner hexagonal and its direction of effect are shown by the arrow in the graph.
<p>3. Remove bearing fixing plates</p>		<ul style="list-style-type: none"> ● Remove 4 screws on the bearing fixing plates with screwdriver. (As shown in the box in the graph)

4.5 Floor and Wall Mounted Type

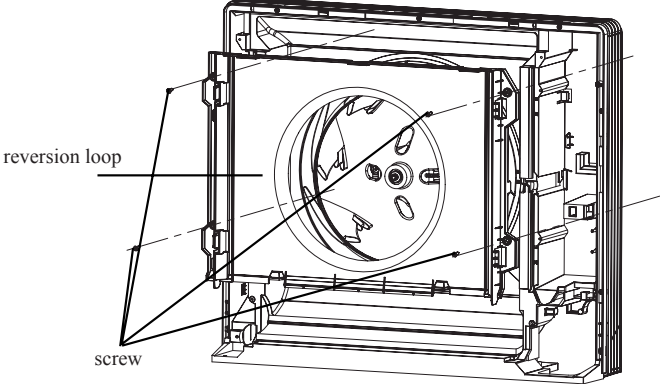
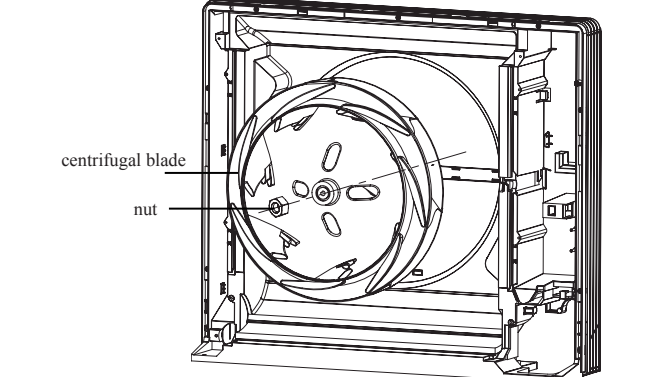
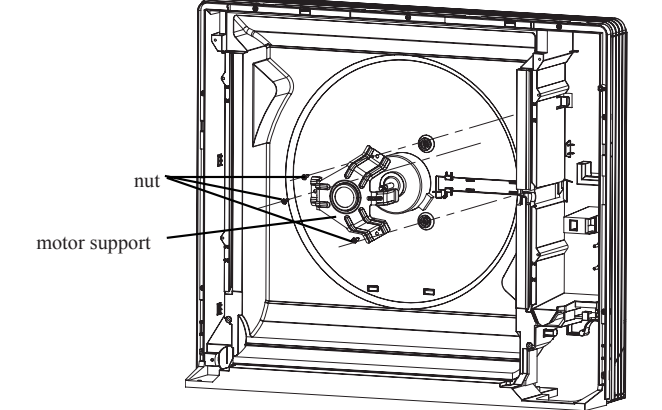
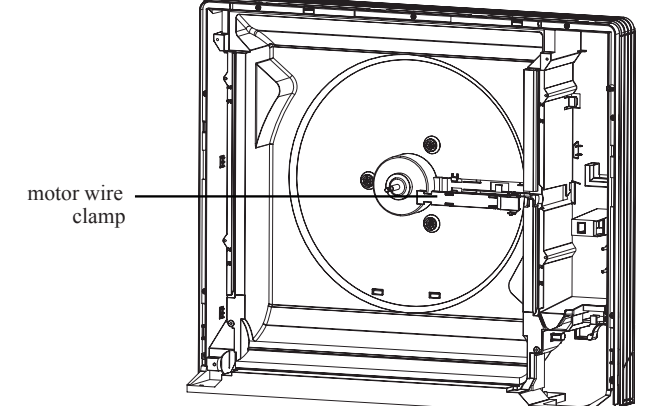
Warning! Be sure to wait for a minimum of 10 minutes after turning off all power supplies before disassembly.

Steps	Illustration	Handling instruction
1. Remove panel		<p>Pull the slide clasps at both sides of panel, pull the panel outwards, lift up the panel and then remove the panel.</p>
2. Remove filter		<p>Loosen the clasp on the upper side of filter, pull the panel outwards to remove it.</p>
3. Remove front case		<p>Remove the 4 screws fixing front case; Disengage the clasps on both sides (Follow the arrows); pull the front case outwards, and then remove the front case.</p>
4. Remove swing assy		<p>Remove 2 screws fixing swing assy, pull out the connection wires with electric box, and then pull the swing assy outwards to remove it.</p>

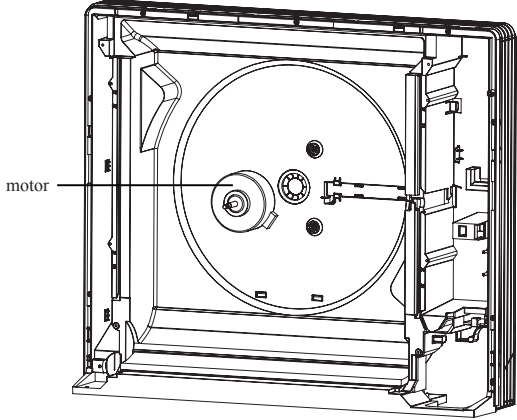
Warning! Be sure to wait for a minimum of 10 minutes after turning off all power supplies before disassembly.

Steps	Illustration	Handling instruction
<p>5. Remove Drain Pan Assy</p>	 <p>screw</p> <p>water tray assy</p>	<p>Remove 2 screws fixing Drain Pan, and then pull the Drain Pan outwards to remove it.</p>
<p>6. Remove electric box assy</p>	 <p>electric box assy</p> <p>screw</p>	<p>Remove one screw fixing electric box assy, pull out all connection wire, and then pull the electric box assy outwards to remove it.</p>
<p>7. Remove piping stopper</p>	 <p>piping stopper</p>	<p>Loosen clasps between piping stopper and bottom case, and then pull the piping stopper outwards to remove it.</p>
<p>8. Remove evaporator</p>	 <p>evaporator assy</p>	<p>Loosen the clasps between evaporator and bottom case and then pull the evaporator outwards to remove it.</p>

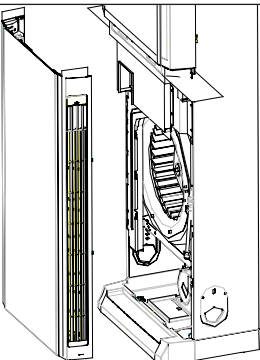
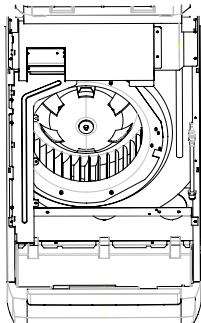
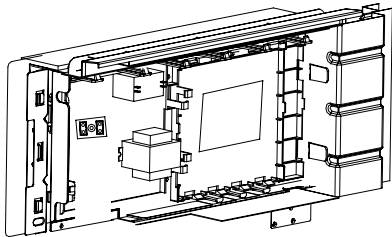
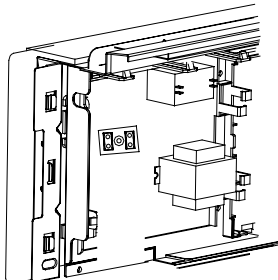
Warning! Be sure to wait for a minimum of 10 minutes after turning off all power supplies before disassembly.

Steps	Illustration	Handling instruction
<p>9. Remove reversion loop</p>		<p>Remove 4 screws on reversion loop, and then remove the reversion loop.</p>
<p>10. Remove centrifugal blade</p>		<p>Remove nuts on centrifugal blade, and then pull the centrifugal blade outwards to remove it.</p>
<p>11. Remove motor support</p>		<p>Remove screws fixing motor support, and then remove the motor support.</p>
<p>12. Remove motor wire clamp</p>		<p>Loosen clasps between motor wire clamp and bottom case, and then pull the motor wire clamp to remove it.</p>

Warning! Be sure to wait for a minimum of 10 minutes after turning off all power supplies before disassembly.

Steps	Illustration	Handling instruction
13. Removemotor		Remove the motor.

4.6 Floor Standing Type

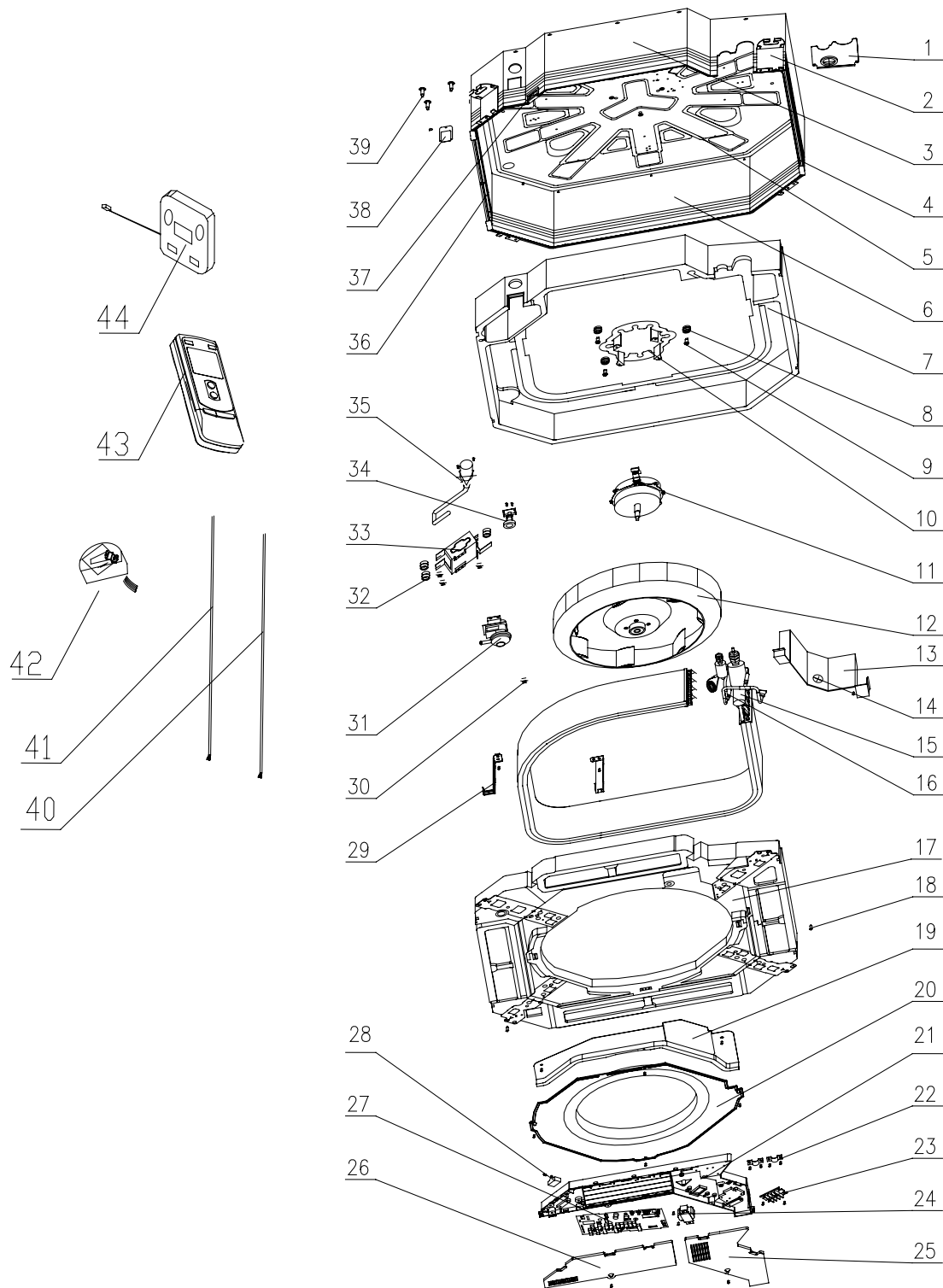
Removal and Assembly of electric box		
Remarks: Before removing the electric box, make sure to cut off the power firstly.		
Step	Illustration	Handling Instruction
1. Loosen the buckles on both sides of the bottom panel.		Cut off the power supply of indoor unit. Loosen the buckles on both sides of the bottom panel.
2. Unscrew the screws on the bottom panel and then pull it out outwards.		Unscrew the screws on the bottom panel and then pull it out outwards.
3. Unscrew the screws on the electric box and then open the cover of it.		Unscrew the screws on the electric box and then open the cover of it.
4. Connect the power cord and the connection pipe.		Connect the power cord and the connection pipe.

5 EXPLODED VIEWS AND PART LIST

5.1 Cassette Type

5.1.1 Four-way Cassette Type

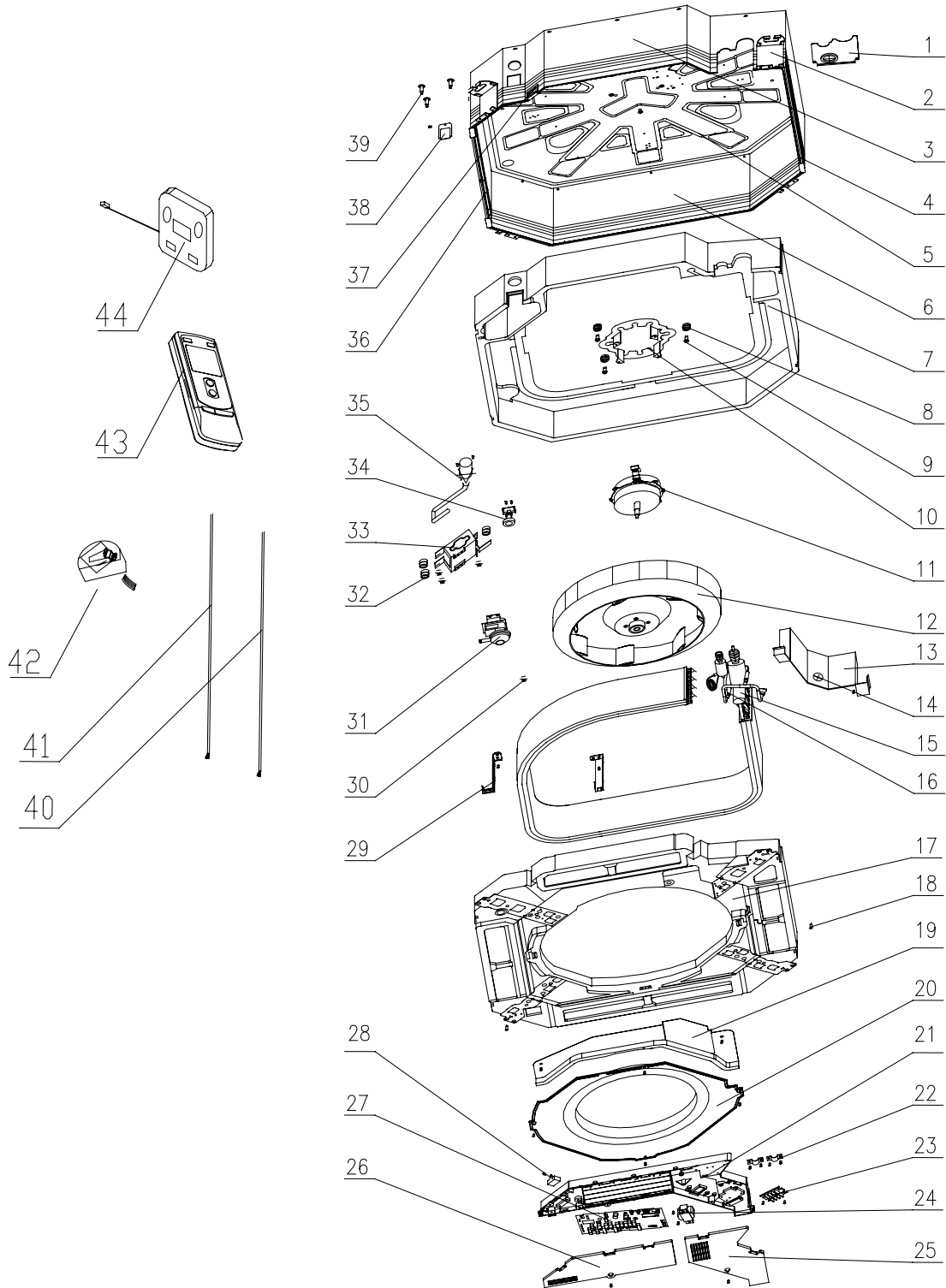
- Exploded View of GMV-R28T/Na-K, GMV-R36T/Na-K, GMV-R45T/Na-K, GMV-R50T/Na-K.



No.	Model	GMV-R28T/Na-K	GMV-R36T/Na-K	Qty.
	Product Code	EM503N0091	EM501N0151	
	Part Name	Part Code	Part Code	
1	End Plate	01382710	01382710	1
2	Fixed Plate	01332701	01332701	4
3	Front Side Plate	01302717	01302717	1
4	Left Side Plate	01302740	01302740	1
5	Base Plate	01222702	01222702	1
6	Rear Side Plate	01302719	01302719	1
7	Bottom Foam	52012716	52012716	1
8	Motor Gasket	76712711	76712711	4
9	Bolt	70210051	70210051	4
10	Motor Fixer	01702701	01702701	1
11	Motor	15704901	15704901	1
12	Centrifugal Fan	10312721	10312721	1
13	Evaporator Connection	01072004	01072004	1
14	Rubber Ring	76513101	76513101	2
15	Evaporator Assy	0102422401	01024224	1
16	Electronic Expansile Valve	07334281	07334281	1
17	Drain Pan	12412701	12412701	1
18	Screw	70140032	70140032	2
19	Electric Box Base Plate	01412721	01412721	1
20	Deflector	10372701	10372701	1
21	Electric Box	20102701	20102701	1
22	Wire Clamp	71010102	71010102	2
23	Terminal Board	42011222	42011222	1
24	Transformer	43110233	43110233	1
25	Electric Box Cover I	20102702	20102702	1
26	Electric Box Cover II	20102703	20102703	1
27	Main PCB	30226315	30226315	1
28	Capacitor	33010027	33010027	1
29	Evaporator Support	01072003	01072003	2
30	Nut with Washer M6	70310012	70310012	4
31	Water Pump PJV-1415	43130324	43130324	1
32	Pump Gasket	76712702	76712702	3
33	Pump Support	01332001	01332001	1
34	Water Level Switch	45010201	45010201	1
35	Water Pipe	05232721	05232721	1
36	Right Side Plate	01302710	01302710	1
37	Rubber Ring	76512702	76512702	1
38	Pump Cover	01252710	01252710	1
39	Bolt	70212711	70212711	4
40	Signal Cable	4001039509	4001039509	1
41	Connecting Wire	40010232	40010232	1
42	Magnet Coil for Electronic Expansion Valve	43040001	43040001	1
43	Remote Controller	305125063	305125063	1
44	Display Board	30296309	30296309	1

No.	Model	GMV-R45T/Na-K	GMV-R50T/Na-K	Qty.
	Product Code	EM503N0081	EM501N0171	
	Part Name	Part Code	Part Code	
1	End Plate	01382710	01382710	1
2	Fixed Plate	01332701	01332701	4
3	Front Side Plate	01302717	01302717	1
4	Left Side Plate	01302740	01302740	1
5	Base Plate	01222702	01222702	1
6	Rear Side Plate	01302719	01302719	1
7	Bottom Foam	52012716	52012716	1
8	Motor Gasket	76712711	76712711	4
9	Bolt	70210051	70210051	4
10	Motor Fixer	01702701	01702701	1
11	Motor	15704901	15704901	1
12	Centrifugal Fan	10312721	10312721	1
13	Evaporator Connection	01072004	01072004	1
14	Rubber Ring	76513101	76513101	2
15	Evaporator Assy	01024223	01024223	1
16	Electronic Expansile Valve	07334283	07334283	1
17	Drain Pan	12412701	12412701	1
18	Screw	70140032	70140032	2
19	Electric Box Base Plate	01412721	01412721	1
20	Deflector	10372701	10372701	1
21	Electric Box	20102701	20102701	1
22	Wire Clamp	71010102	71010102	2
23	Terminal Board	42011222	42011222	1
24	Transformer	43110233	43110233	1
25	Electric Box Cover I	20102702	20102702	1
26	Electric Box Cover II	20102703	20102703	1
27	Main PCB	30226315	30226315	1
28	Capacitor	33010027	33010027	1
29	Evaporator Support	01072003	01072003	2
30	Nut with Washer M6	70310012	70310012	4
31	Water Pump PJV-1415	43130324	43130324	1
32	Pump Gasket	76712702	76712702	3
33	Pump Support	01332001	01332001	1
34	Water Level Switch	45010201	45010201	1
35	Water Pipe	05232721	05232721	1
36	Right Side Plate	01302710	01302710	1
37	Rubber Ring	76512702	76512702	1
38	Pump Cover	01252710	01252710	1
39	Bolt	70212711	70212711	4
40	Signal Cable	4001039509	4001039509	1
41	Connecting Wire	40010232	40010232	1
42	Magnet Coil for Electronic Expansion Valve	43040001	43040001	1
43	Remote Controller	305125063	305125063	1
44	Display Board	30296309	30296309	1

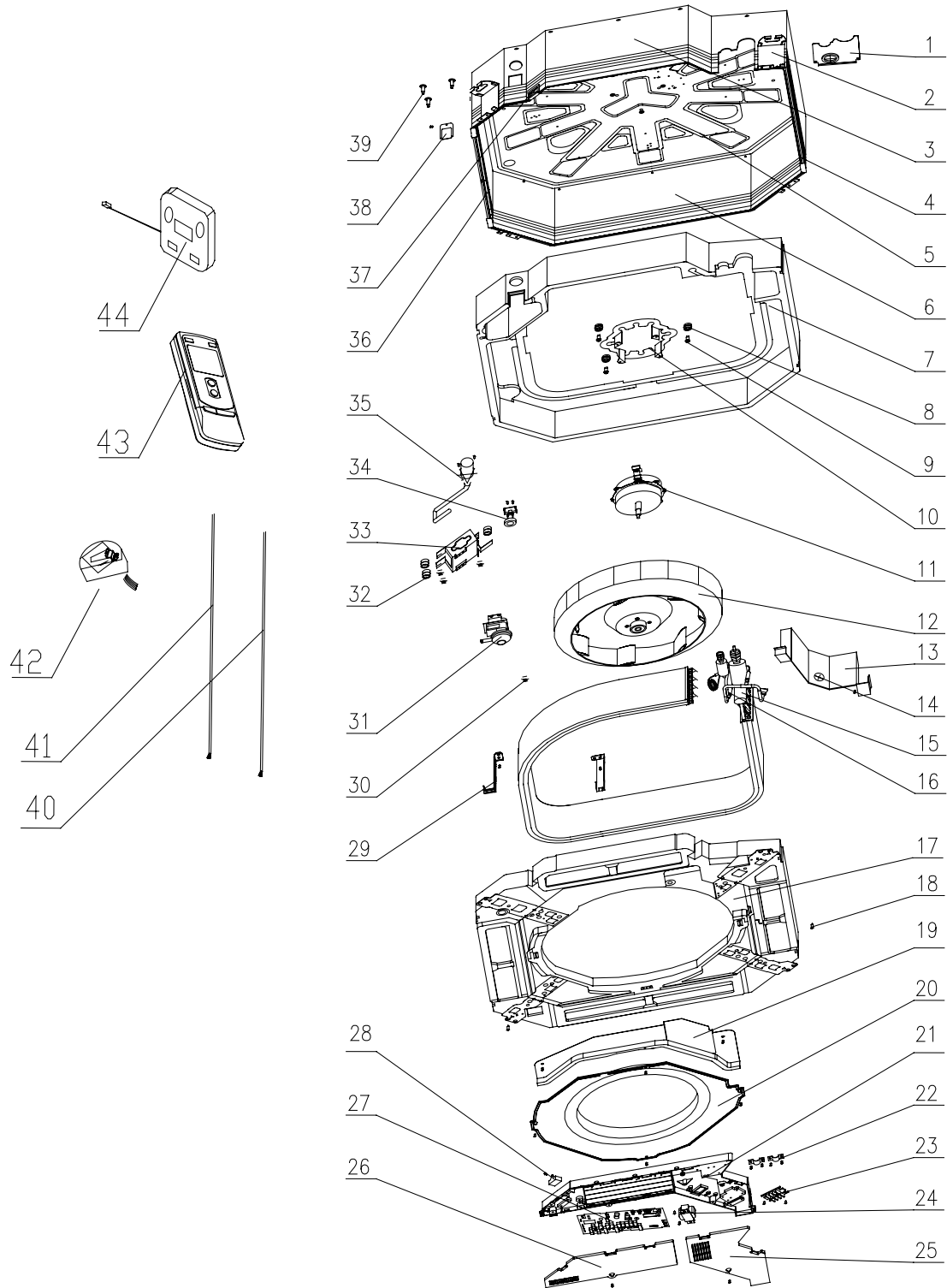
● Exploded View of GMV-R56T/Na-K,GMV-R63T/Na-K, GMV-R71T/Na-K,GMV-R80T/Na-K.



No.	Model	GMV-R56T/Na-K	GMV-R63T/Na-K	Qty.
	Product Code	EM503N0121	CM501N0011	
	Part Name	Part Code	Part Code	
1	End Plate	01382711	01382711	1
2	Fixed Plate	01332701	01332701	4
3	Front Side Plate	01302718	01302718	1
4	Left Side Plate	01302715	01302715	1
5	Base Plate	01222702	01222702	1
6	Rear Side Plate	01302719	01302714	1
7	Bottom Foam	52012711	52012711	1
8	Motor Gasket	76712711	76712711	4
9	Bolt	70210051	70210051	4
10	Motor Fixer	01702701	01702701	1
11	Motor	15704102	15704102	1
12	Centrifugal Fan	10312705	10312705	1
13	Evaporator Connection	01072710	01072710	1
14	Rubber Ring	76513101	76513101	2
15	Evaporator Assy	01024225	01024225	1
16	Electronic Expansile Valve	07334283	07334283	1
17	Drain Pan	12412701	12412701	1
18	Screw	70140032	70140032	4
19	Electric Box Base Plate	01412721	01412721	1
20	Deflector	10372701	10372701	1
21	Electric Box	20102701	20102701	1
22	Wire Clamp	71010102	71010102	2
23	Terminal Board	42011222	42011222	1
24	Transformer	43110233	43110233	1
25	Electric Box Cover I	20102702	20102702	1
26	Electric Box Cover II	20102703	20102703	1
27	Main PCB	30226315	30226315	1
28	Capacitor	33010027	33010027	1
29	Evaporator Support	01072715	01072715	2
30	Nut with Washer M6	70310012	70310012	4
31	Water Pump PJV-1415	43130324	43130324	1
32	Pump Gasket	76712702	76712702	3
33	Pump Support	01329416	01329416	1
34	Water Level Switch	45010201	45010201	1
35	Water Pipe	05230026	05230026	1
36	Right Side Plate	01302716	01302716	1
37	Rubber Ring	76512702	76512702	1
38	Pump Cover	01252711	01252711	1
39	Bolt	70212711	70212711	4
40	Signal Cable	4001039509	4001039509	1
41	Connecting Wire	40010232	40010232	1
42	Magnet Coil for Electronic Expansion Valve	43040001	43040001	1
43	Remote Controller	305125063	305125063	1
44	Display Board	30296309	30296309	1

No.	Model	GMV-R71T/Na-K	GMV-R80T/Na-K	Qty.
	Product Code	EM501N0131	CM501N0031	
	Part Name	Part Code	Part Code	
1	End Plate	01382711	01382711	1
2	Fixed Plate	01332701	01332701	4
3	Front Side Plate	01302718	01302718	1
4	Left Side Plate	01302715	01302715	1
5	Base Plate	01222702	01222702	1
6	Rear Side Plate	01302714	01302714	1
7	Bottom Foam	52012711	52012711	1
8	Motor Gasket	76712711	76712711	4
9	Bolt	70210051	70210051	4
10	Motor Fixer	01702701	01702701	1
11	Motor	15704102	15704102	1
12	Centrifugal Fan	10312705	10312705	1
13	Evaporator Connection	01072710	01072710	1
14	Rubber Ring	76513101	76513101	2
15	Evaporator Assy	01024225	01024225	1
16	Electronic Expansile Valve	07334283	07334283	1
17	Drain Pan	12412701	12412701	1
18	Screw	70140032	70140032	4
19	Electric Box Base Plate	01412721	01412721	1
20	Deflector	10372701	10372701	1
21	Electric Box	20102701	20102701	1
22	Wire Clamp	71010102	71010102	2
23	Terminal Board	42011222	42011222	1
24	Transformer	43110233	43110233	1
25	Electric Box Cover I	20102702	20102702	1
26	Electric Box Cover II	20102703	20102703	1
27	Main PCB	30226315	30226315	1
28	Capacitor	33010027	33010027	1
29	Evaporator Support	01072715	01072715	2
30	Nut with Washer M6	70310012	70310012	4
31	Water Pump PJV-1415	43130324	43130324	1
32	Pump Gasket	76712702	76712702	3
33	Pump Support	01329416	01329416	1
34	Water Level Switch	45010201	45010201	1
35	Water Pipe	05230026	05230026	1
36	Right Side Plate	01302716	01302716	1
37	Rubber Ring	76512702	76512702	1
38	Pump Cover	01252711	01252711	1
39	Bolt	70212711	70212711	4
40	Signal Cable	4001039509	4001039509	1
41	Connecting Wire	40010232	40010232	1
42	Magnet Coil for Electronic Expansion Valve	43040001	43040001	1
43	Remote Controller	305125063	305125063	1
44	Display Board	30296309	30296309	1

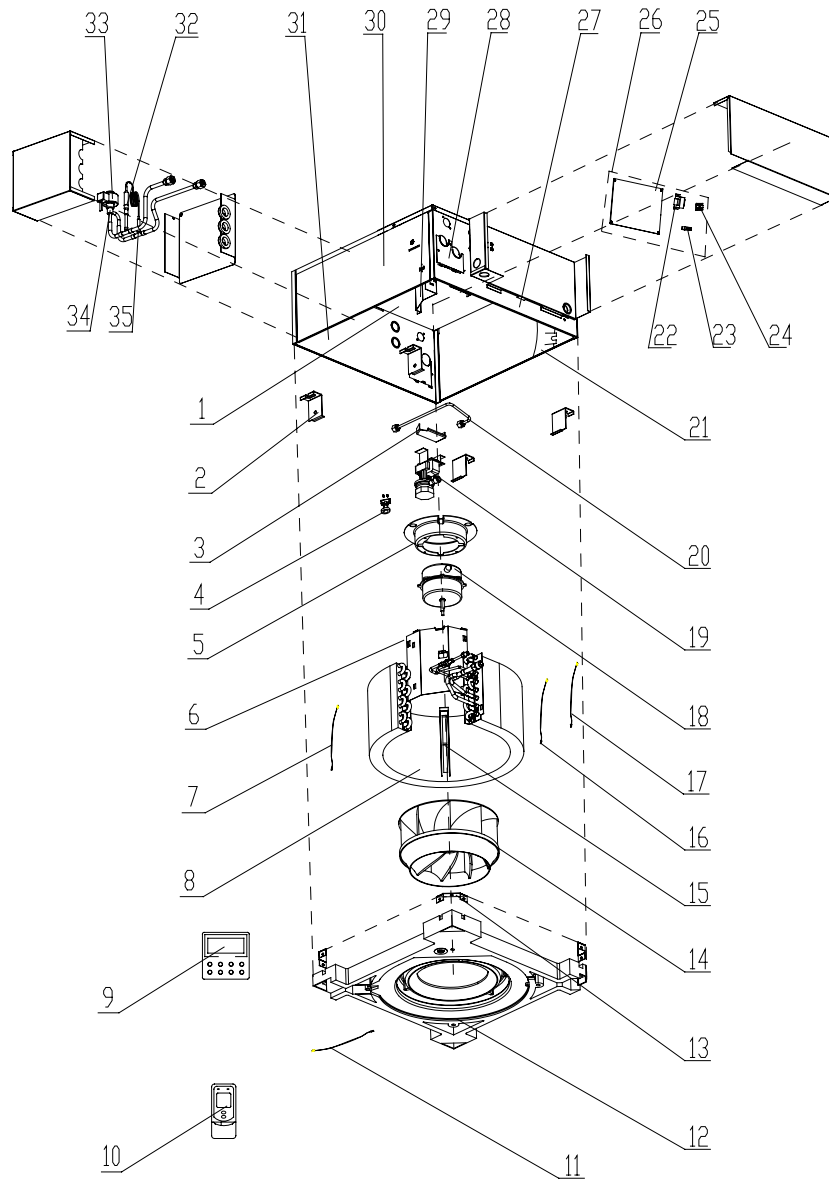
● Exploded View of GMV-R90T/Na-K, GMV-R100T/Na-K, GMV-R112T/Na-K, GMV-R125T/Na-K, GMV-R140T/Na-K.



No.	Model	GMV-R90T/Na-K	GMV-R100T/Na-K	Qty.
	Product Code	EM501N0091	CM501N0051	
	Part Name	Part Code	Part Code	
1	End Plate	01382711	01382711	1
2	Fixed Plate	01332701	01332701	4
3	Front Side Plate	01302713	01302713	1
4	Left Side Plate	01302711	01302711	1
5	Base Plate	01222702	01222702	1
6	Rear Side Plate	01302709	01302709	1
7	Bottom Foam	52012717	52012717	1
8	Motor Gasket	76712711	76712711	4
9	Bolt	70210051	70210051	4
10	Motor Fixer	01702701	01702701	1
11	Motor	15704103	15704103	1
12	Centrifugal Fan	10312701	10312701	1
13	Evaporator Connection	01072708	01072708	1
14	Rubber Ring	76515202	76515202	2
15	Evaporator Assy	01024612	01024612	1
16	Electronic Expansile Valve	07330001	07330001	1
17	Drain Pan	12412701	12412701	1
18	Screw	70140032	70140032	4
19	Electric Box Base Plate	01412721	01412721	1
20	Deflector	10372722	10372722	1
21	Electric Box	20102701	20102701	1
22	Wire Clamp	71010102	71010102	2
23	Terminal Board	42011222	42011222	1
24	Transformer	43110233	43110233	1
25	Electric Box Cover I	20102702	20102702	1
26	Electric Box Cover II	20102703	20102703	1
27	Main PCB	30226315	30226315	1
28	Capacitor	33010011	33010011	1
29	Evaporator Support	01072708	01072708	2
30	Nut with Washer M6	70310012	70310012	4
31	Water Pump PJV-1415	43130324	43130324	1
32	Pump Gasket	76712702	76712702	3
33	Pump Support	01332721	01332721	1
34	Water Level Switch	45010201	45010201	1
35	Water Pipe	05230026	05230026	1
36	Right Side Plate	01302712	01302712	1
37	Rubber Ring	76512702	76512702	1
38	Pump Cover	01252711	01252711	1
39	Bolt	70212701	70212701	4
40	Signal Cable	4001039509	4001039509	1
41	Connecting Wire	40010232	40010232	1
42	Magnet Coil for Electronic Expansion Valve	43040001	43040001	1
43	Remote Controller	305125063	305125063	1
44	Display Board	30296309	30296309	1

No.	Model	GMV-R112T/Na-K	GMV-R125T/Na-K	GMV-R140T/Na-K	Qty.
	Product Code	EM501N0111	CM501N0071	CM501N0091	
	Part Name	Part Code	Part Code	Part Code	
1	End Plate	01382711	01382711	01382711	1
2	Fixed Plate	01332701	01332701	01332701	4
3	Front Side Plate	01302713	01302713	01302713	1
4	Left Side Plate	01302711	01302711	01302711	1
5	Base Plate	01222702	01222702	01222702	1
6	Rear Side Plate	01302709	01302709	01302709	1
7	Bottom Foam	52012717	52012717	52012717	1
8	Motor Gasket	76712711	76712711	76712711	4
9	Bolt	70210051	70210051	70210051	4
10	Motor Fixer	01702701	01702701	01702701	1
11	Motor	15704103	15704103	15704103	1
12	Centrifugal Fan	10312701	10312701	10312701	1
13	Evaporator Connection	01072708	01072708	01072708	1
14	Rubber Ring	76515202	76515202	76515202	2
15	Evaporator Assy	01024612	01024612	01024612	1
16	Electronic Expansile Valve	07330001	07330001	07330001	1
17	Drain Pan	12412701	12412701	12412701	1
18	Screw	70140032	70140032	70140032	4
19	Electric Box Base Plate	01412721	01412721	01412721	1
20	Deflector	10372722	10372722	10372722	1
21	Electric Box	20102701	20102701	20102701	1
22	Wire Clamp	71010102	71010102	71010102	2
23	Terminal Board	42011222	42011222	42011222	1
24	Transformer	43110233	43110233	43110233	1
25	Electric Box Cover I	20102702	20102702	20102702	1
26	Electric Box Cover II	20102703	20102703	20102703	1
27	Main PCB	30226315	30226315	30226315	1
28	Capacitor	33010011	33010011	33010011	1
29	Evaporator Support	01072708	01072708	01072708	2
30	Nut with Washer M6	70310012	70310012	70310012	4
31	Water Pump PJV-1415	43130324	43130324	43130324	1
32	Pump Gasket	76712702	76712702	76712702	3
33	Pump Support	01332721	01332721	01332721	1
34	Water Level Switch	45010201	45010201	45010201	1
35	Water Pipe	05230026	05230026	05230026	1
36	Right Side Plate	01302712	01302712	01302712	1
37	Rubber Ring	76512702	76512702	76512702	1
38	Pump Cover	01252711	01252711	01252711	1
39	Bolt	70212701	70212701	70212701	4
40	Signal Cable	4001039509	4001039509	4001039509	1
41	Connecting Wire	40010232	40010232	40010232	1
42	Magnet Coil for Electronic Expansion Valve	43040001	43040001	43040001	1
43	Remote Controller	305125063	305125063	305125063	1
44	Display Board	30296309	30296309	30296309	1

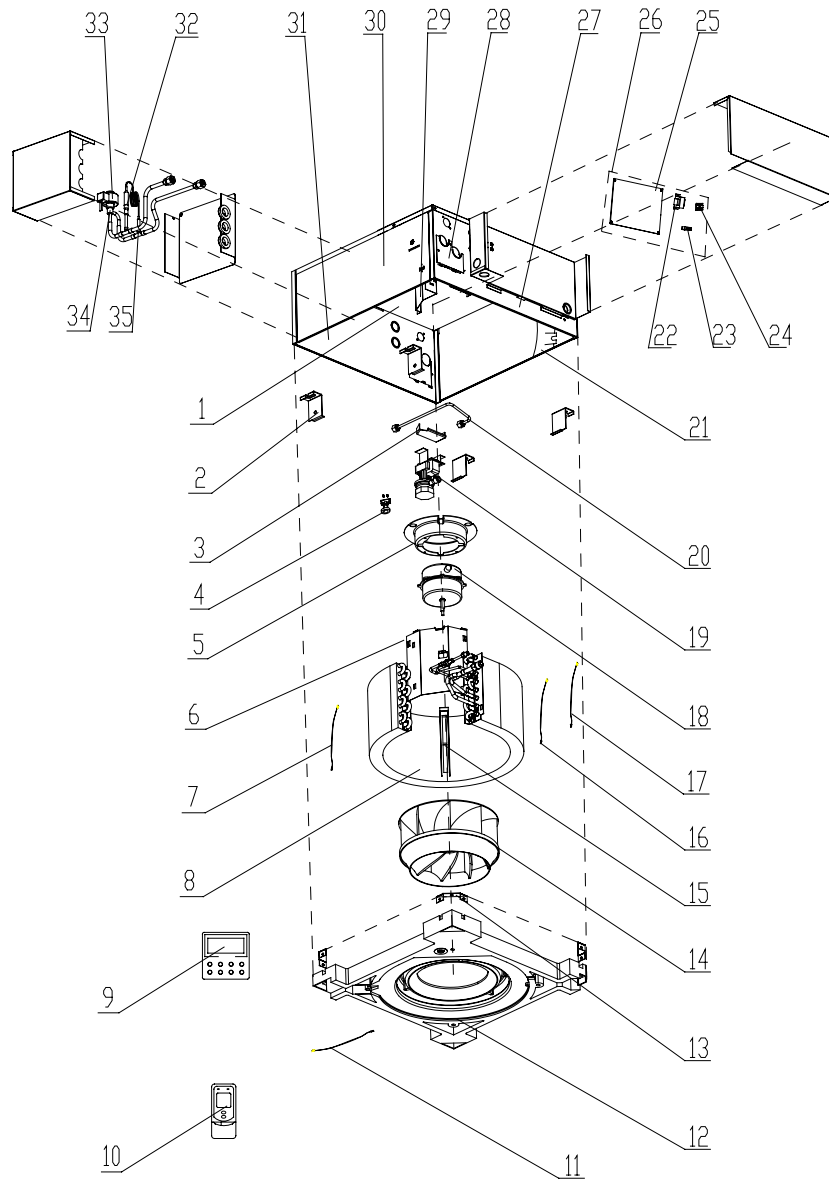
- Exploded View of GMV-R22T/NaA-K,GMV-R28T/NaA -K,GMV-R36T/NaA-K,GMV-R45T/NaA -K.



No.	Model	GMV-R22T/NaA-K	GMV-R28T/NaA-K	Qty.
	Product Code	CM500N0100	CM500N0110	
	Part Name	Part Code	Part Code	
1	Seat Board Sub-Assy	01222712	01222712	1
2	Body Installing Support	01332705	01332705	4
3	Pump Support Assy	01332708	01332708	1
4	Water Level Switch	450127011	450127011	1
5	Motor Support	01702702	01702702	1
6	Evaporator Connection Board	01072713	01072713	1
7	Temperature Sensor	390001982G	390001982G	1
8	Evaporator Assy	01024194	01024194	1
9	Display Board	30296309	30296309	1
10	Remote Controller	305125063	305125063	1
11	Ambient Temperature Sensor	3900019813	3900019813	1
12	Drain Pan Assy	20182704	20182704	1
13	Drain Pan Support	01332706	01332706	4
14	Centrifugal Fan	10312702	10312702	1
15	Evaporator Support	01072714	01072714	1
16	Tube sensor	390001981G	390001981G	1
17	Tube sensor	390001983G	390001983G	1
18	Fan Motor	15704114	15704114	1
19	Water Pump	43130320	43130320	1
20	Water Pipe	05232722	05232722	1
21	Seal Plate	01362701	01362701	1
22	Transformer	43110226	43110226	1
23	Capacitor CBB61	33010026	33010026	1
24	Terminal Board	42011106	42011106	1
25	Main Board	30226199	30226199	1
26	Electric Box Assy	01394806	01394806	1
27	Front Side Plate	01314211	01314211	1
28	End Plate Assy	01382719	01382719	1
29	Right Baffle Assy	01362704	01362704	1
30	Right Side Plate Sub-Assy	01302743	01302743	2
31	Front Side Plate	01314211	01314211	1
32	Electronic Expansion Valve Coil	4304000101	4304000101	1
33	Filter Sub-Assy	11120012	11120012	2
34	Electronic Expansion Valve	07334282	07334282	1
35	Check Valve	07334200	07334200	1

No.	Model	GMV-R36T/NaA-K	GMV-R45T/NaA-K	Qty.
	Product Code	CM500N0120	CM500N0130	
	Part Name	Part Code	Part Code	
1	Seat Board Sub-Assy	01222712	01222712	1
2	Body Installing Support	01332705	01332705	4
3	Pump Support Assy	01332708	01332708	1
4	Water Level Switch	450127011	450127011	1
5	Motor Support	01702702	01702702	1
6	Evaporator Connection Board	01072713	01072713	1
7	Temperature Sensor	390001982G	390001982G	1
8	Evaporator Assy	01024200	01024200	1
9	Display Board	30296309	30296309	1
10	Remote Controller	305125063	305125063	1
11	Ambient Temperature Sensor	3900019813	3900019813	1
12	Drain Pan Assy	20182704	20182704	1
13	Drain Pan Support	01332706	01332706	4
14	Centrifugal Fan	10312702	10312702	1
15	Evaporator Support	01072714	01072714	1
16	Tube sensor	390001981G	390001981G	1
17	Tube sensor	390001983G	390001983G	1
18	Fan Motor	15704114	15704114	1
19	Water Pump	43130320	43130320	1
20	Water Pipe	05232722	05232722	1
21	Seal Plate	01362701	01362701	1
22	Transformer	43110226	43110226	1
23	Capacitor CBB61	33010026	33010026	1
24	Terminal Board	42011106	42011106	1
25	Main Board	30226199	30226199	1
26	Electric Box Assy	01394806	01394806	1
27	Front Side Plate	01314211	01314211	1
28	End Plate Assy	01382719	01382719	1
29	Right Baffle Assy	01362704	01362704	1
30	Right Side Plate Sub-Assy	01302743	01302743	2
31	Front Side Plate	01314211	01314211	1
32	Electronic Expansion Valve Coil	4304000101	4304000101	1
33	Filter Sub-Assy	11120012	11120012	2
34	Electronic Expansion Valve	07334282	07334282	1
35	Check Valve	07334200	07334200	1

- Exploded View of GMVL-R22T/NaA-K, GMVL-R28T/NaA -K, GMVL-R36T/NaA-K, GMVL-R45T/NaA -K.

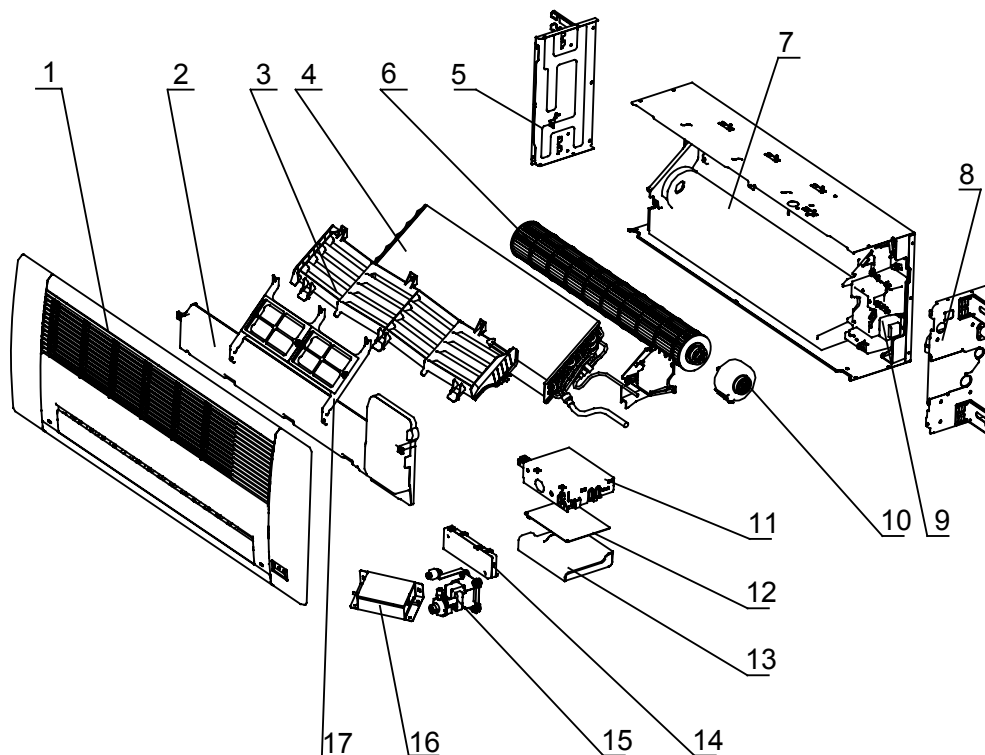


No.	Model	GMVL-R22T/NaA-K	GMVL-R28T/NaA-K	Qty.
	Product Code	CM500N0140	CM500N0150	
	Part Name	Part Code	Part Code	
1	Seat Board Sub-Assy	01222712	01222712	1
2	Body Installing Support	01332705	01332705	4
3	Pump Support Assy	01332708	01332708	1
4	Water Level Switch	450127011	450127011	1
5	Motor Support	01702702	01702702	1
6	Evaporator Connection Board	01072713	01072713	1
7	Temperature Sensor	390001982G	390001982G	1
8	Evaporator Assy	01024194	01024194	1
9	Display Board	30296308	30296308	1
10	Remote Controller	305125063	305125063	1
11	Ambient Temperature Sensor	3900019813	3900019813	1
12	Drain Pan Assy	20182704	20182704	1
13	Drain Pan Support	01332706	01332706	4
14	Centrifugal Fan	10312702	10312702	1
15	Evaporator Support	01072714	01072714	1
16	Tube sensor	390001981G	390001981G	1
17	Tube sensor	390001983G	390001983G	1
18	Fan Motor	15704114	15704114	1
19	Water Pump	43130320	43130320	1
20	Water Pipe	05232722	05232722	1
21	Seal Plate	01362701	01362701	1
22	Transformer	43110226	43110226	1
23	Capacitor CBB61	33010026	33010026	1
24	Terminal Board	42011106	42011106	1
25	Main Board	30226198	30226198	1
26	Electric Box Assy	01394938	01394938	1
27	Front Side Plate	01314211	01314211	1
28	End Plate Assy	01382719	01382719	1
29	Right Baffle Assy	01362704	01362704	1
30	Right Side Plate Sub-Assy	01302743	01302743	2
31	Front Side Plate	01314211	01314211	1
32	Electronic Expansion Valve Coil	4304000101	4304000101	1
33	Filter Sub-Assy	11120012	11120012	2
34	Electronic Expansion Valve	07334282	07334282	1
35	Check Valve	07334200	07334200	1

No.	Model	GMVL-R36T/NaA-K	GMVL-R45T/NaA-K	Qty.
	Product Code	CM500N0160	CM500N0170	
	Part Name	Part Code	Part Code	
1	Seat Board Sub-Assy	01222712	01222712	1
2	Body Installing Support	01332705	01332705	4
3	Pump Support Assy	01332708	01332708	1
4	Water Level Switch	450127011	450127011	1
5	Motor Support	01702702	01702702	1
6	Evaporator Connection Board	01072713	01072713	1
7	Temperature Sensor	390001982G	390001982G	1
8	Evaporator Assy	01024200	01024200	1
9	Display Board	30296308	30296308	1
10	Remote Controller	305125063	305125063	1
11	Ambient Temperature Sensor	3900019813	3900019813	1
12	Drain Pan Assy	20182704	20182704	1
13	Drain Pan Support	01332706	01332706	4
14	Centrifugal Fan	10312702	10312702	1
15	Evaporator Support	01072714	01072714	1
16	Tube sensor	390001981G	390001981G	1
17	Tube sensor	390001983G	390001983G	1
18	Fan Motor	15704114	15704114	1
19	Water Pump	43130320	43130320	1
20	Water Pipe	05232722	05232722	1
21	Seal Plate	01362701	01362701	1
22	Transformer	43110226	43110226	1
23	Capacitor CBB61	33010026	33010026	1
24	Terminal Board	42011106	42011106	1
25	Main Board	30226198	30226198	1
26	Electric Box Assy	01394938	01394938	1
27	Front Side Plate	01314211	01314211	1
28	End Plate Assy	01382719	01382719	1
29	Right Baffle Assy	01362704	01362704	1
30	Right Side Plate Sub-Assy	01302743	01302743	2
31	Front Side Plate	01314211	01314211	1
32	Electronic Expansion Valve Coil	4304000101	4304000101	1
33	Filter Sub-Assy	11120012	11120012	2
34	Electronic Expansion Valve	07334282	07334282	1
35	Check Valve	07334200	07334200	1

5.1.2 One-way Cassette Type

Exploded View of GMV(L)-R22Td/Na-K,GMV(L)-R28Td/Na-K,GMV(L)-R36Td/Na-K.



No.	Model	GMV-R22Td/Na-K	GMVL-R22Td/Na-K	Qty.
	Product Code	CM502N0010	CM502N0020	
	Part Name	Part Code	Part Code	
1	Front Panel Assy	/	/	1
2	Drain Pan Assy	12412702	12412702	1
3	Water Deflector	24212708	24212708	1
4	Evaporator Assy	01024168	01024168	1
5	Left Side Plate Assy	01302729	01302729	1
6	Cross Flow Fan	10352701	10352701	1
7	Base Plate Assy	01222714	01222714	1
8	Right Side Plate Assy	01302746	01302746	1
9	Bottom Case Assy	22202702	22202702	1
10	Fan Motor	1570410401	1570410401	1
11	Electric Box Assy	01394455	02404614	1
12	Main Board	30226094	30226092	1
13	Electric Box Cover Plate	01412725	01412725	1
14	Terminal Board Cover	222427221	222427221	1
15	Drainage Pump	43132701	43132701	1
16	Electronic Expansion Valve	07334191	07334191	1
17	Supporter	01792703	01792703	1

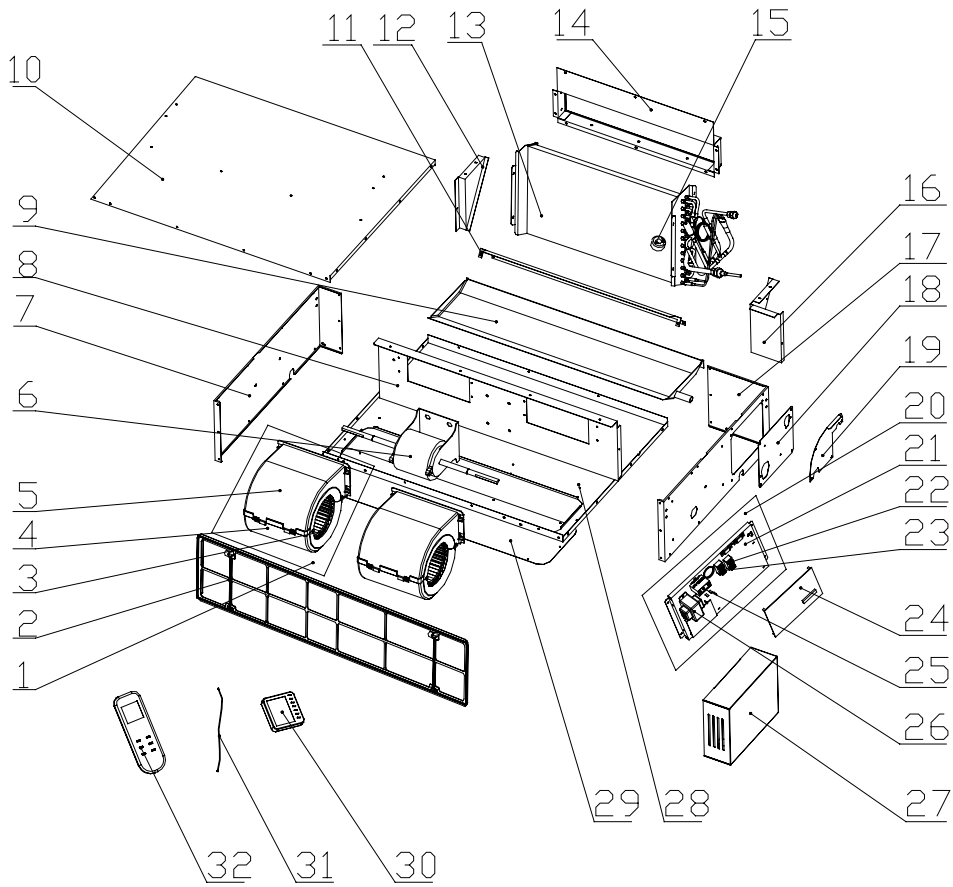
No.	Model	GMV-R28Td/Na-K	GMVL-R28Td/Na-K	Qty.
	Product Code	CM502N0030	CM502N0040	
	Part Name	Part Code	Part Code	
1	Front Panel Assy (MT01)	/	/	1
2	Drain Pan Assy	12412702	12412702	1
3	Water Deflector	24212708	24212708	1
4	Evaporator Assy	01024205	01024205	1
5	Left Side Plate Assy	01302729	01302729	1
6	Cross Flow Fan	10352701	10352701	1
7	Base Plate Assy	01222714	01222714	1
8	Right Side Plate Assy	01302746	01302746	1
9	Bottom Case Assy	22202702	22202702	1
10	Fan Motor	1570410401	1570410401	1
11	Electric Box Assy	01394455	02404614	1
12	Main Board	30226094	30226092	1
13	Electric Box Cover Plate	01412725	01412725	1
14	Terminal Board Cover	222427221	222427221	1
15	Drainage Pump	43132701	43132701	1
16	Electronic Expansion Valve	07334191	07334191	1
17	Supporter	01792703	01792703	1

No.	Model	GMV-R36Td/Na-K	GMVL-R36Td/Na-K	Qty.
	Product Code	CM502N0050	CM502N0060	
	Part Name	Part Code	Part Code	
1	Front Panel Assy (MT01)	/	/	1
2	Drain Pan Assy	12412702	12412702	1
3	Water Deflector	24212708	24212708	1
4	Evaporator Assy	01024171	01024171	1
5	Left Side Plate Assy	01302729	01302729	1
6	Cross Flow Fan	10352701	10352701	1
7	Base Plate Assy	01222714	01222714	1
8	Right Side Plate Assy	01302746	01302746	1
9	Bottom Case Assy	22202702	22202702	1
10	Fan Motor	1570410401	1570410401	1
11	Electric Box Assy	01394455	02404614	1
12	Main Board	30226094	30226092	1
13	Electric Box Cover Plate	01412725	01412725	1
14	Terminal Board Cover	222427221	222427221	1
15	Drainage Pump	43132701	43132701	1
16	Electronic Expansion Valve	07334191	07334191	1
17	Supporter	01792703	01792703	1

5.2 Duct Type

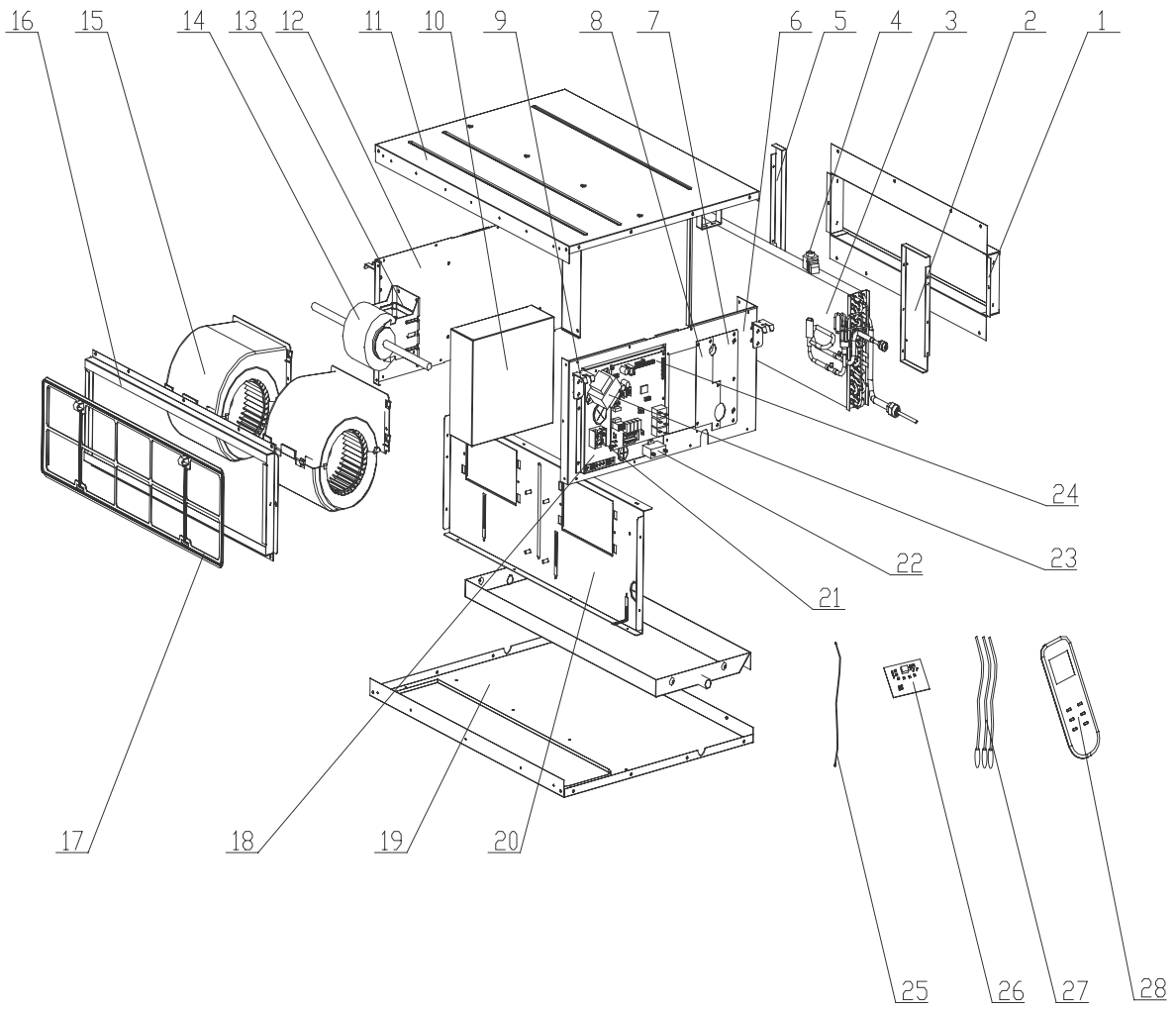
5.2.1 B-Series Duct Type

- Exploded View of GMV-R22P/NaB-K, GMV-R28P/NaB-K, GMV-R36P/NaB-K,GMV-R45P/NaB-K



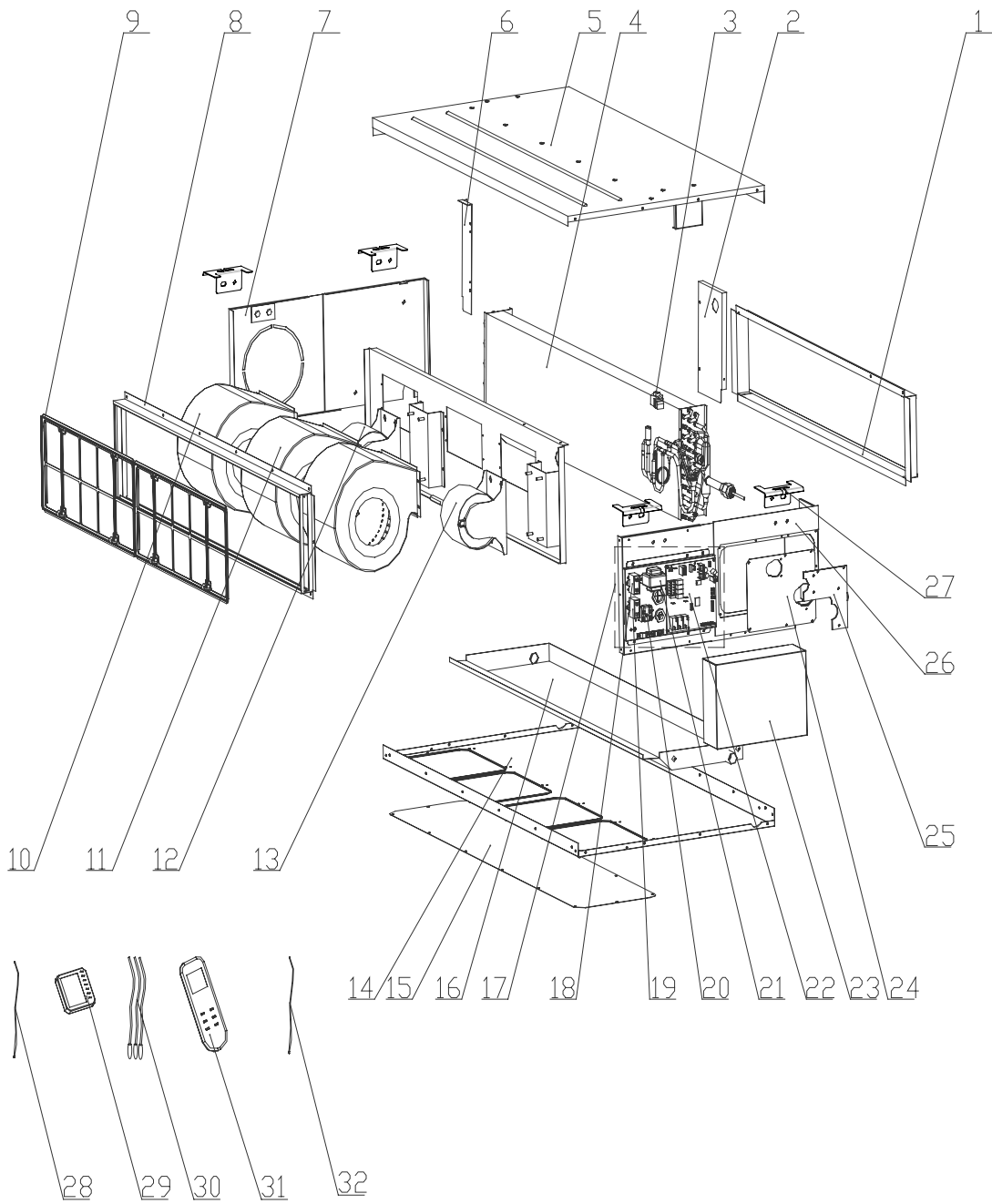
No.	Model	GMV-R22P/NaB-K	GMV-R28P/NaB-K	GMV-R36P/NaB-K	GMV-R45P/NaB-K	Qty.
	Product Code	CM800N0370	CM800N0390	CM800N0410	CM800N0430	
	Part Name	Part Code	Part Code	Part Code	Part Code	
1	Motor Sub-Assy	150024011	150024011	150024011	150024011	2
2	Filter Sub-Assy	11725202	11725202	11725202	11725202	1
3	Centrifugal Fan	10319051	10319051	10319051	10319051	1
4	Front Volute Casing	22202030	22202030	22202030	22202030	1
5	Propeller Housing	22202029	22202029	22202029	22202029	1
6	Fan Motor	1570520103	1570520201	1570520201	1570520103	1
7	Right Side Plate Assy	01314175	01314175	01314175	01314175	1
8	Fan Motor Mounting Plate Sub-Assy	01324341	01324341	01324341	01324341	1
9	Drain Pan Assy	01284153	01284153	01284153	01284153	1
10	Top Cover Plate Assy	01264176	01264176	01264176	01264176	1
11	Evaporator Sub-Assy	01054124	01054123	01054123	01054123	1
12	Right Evaporator Support	01094121	01094121	01094121	01094121	1
13	Evaporator Assy	01024231	01024230	01024232	01024231	1
14	Side Plate Sub-Assy	01494118	01494118	01494118	01494118	1
15	Electronic Expansion Valve Coil	43040001	43040001	43040001	43040001	1
16	Left Evaporator Support	01094122	01094122	01094122	01094122	1
17	Left Side Plate Assy	01314172	01314172	01314172	01314172	1
18	Left Seal Plate Sub-Assy	01494115	01494115	01494115	01494115	1
19	Seal Plate	01494132	01494132	01494132	01494132	1
20	Electric Box Assy	01394990	01394990	01394990	01394990	1
21	Electric Box Sub-Assy	01394978	01394978	01394978	01394978	1
22	Terminal Board	/	/	/	/	/
23	Terminal Board	42011106	42011106	42011106	42011106	1
24	Main Board	30226168	30226168	30226168	30226168	1
25	Capacitor	33010027	33010027	33010027	33010027	1
26	Transformer	43110237	43110237	43110237	43110237	1
27	Electric Box Cover	01424319	01424319	01424319	01424319	1
28	Lower Cover Plate Sub-Assy	01264178	01264178	01264178	01264178	1
29	Return Air Cover Plate	01259056	01259056	01259056	01259056	1
30	Display Board	30296014	30296014	30296014	30296014	1
31	Connecting Wire	40010232	40010232	40010232	40010232	1
32	Remote Controller	305125063	305125063	305125063	305125063	1

● Exploded View of GMV-R56P/NaB-K, GMV-R71P/NaB-K.



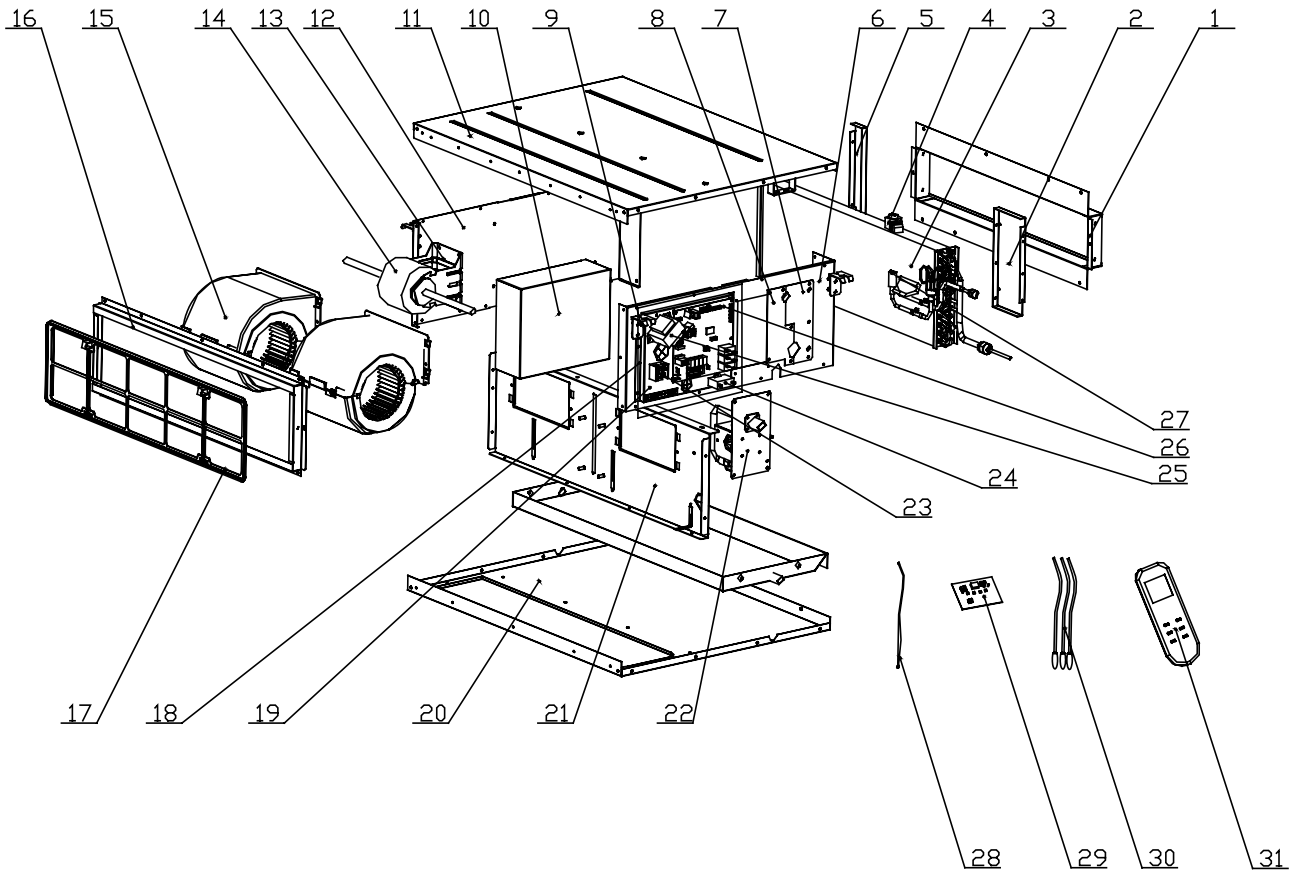
No.	Model	GMV-R56P/NaB-K	GMV-R71P/NaB-K	Qty.
	Product Code	CM800N0480	CM800N0490	
	Part Name	Part Code	Part Code	
1	Side Plate at the Return Air Inlet	01499074	01499074	1
2	Left Support of Evaporator	01078603	01078603	1
3	Evaporator Assy	01024221	01024221	1
4	Electronic Expansion Valve Coil	43040001	43040001	1
5	Right Support of Evaporator	01078604	01078604	1
6	Left Side Plate assy	01315255	01315255	1
7	Left Seal Plate Assy	01308680	01308680	1
8	Seal Plate of the Connection Pipe	01498610	01498610	1
9	Hook	02112466	02112466	4
10	Electric Box Cover	01425249	01425249	1
11	Top Cover Plate Assy	01258652	01258652	1
12	Right Side Plate Assy	01308677	01308677	1
13	Motor Support	01708501	01708501	1
14	Fan Motor	1570521101	1570521101	1
15	Motor Sub-Assy	15018603	15018603	1
16	Side Plate at the Return Air Inlet	01498612	01498612	1
17	Filter	11129066	11129066	1
18	Electric box	01424190	01424190	1
19	Lower Cover Plate Sub-Assy	01258612	01258612	1
20	Fan Motor Mounting Plate Sub-Assy	01338631	01338631	1
21	Terminal Board	42011106	42011106	1
22	Capacitor	33010014	33010014	1
23	Transformer	43110239	43110239	1
24	Main Board	30226168	30226168	1
25	Connecting Wire	40010232	40010232	1
26	Display Board	30296014	30296014	1
27	Sensor Sub-Assy	39004167G	39004167G	1
28	Remote Controller	305125063	305125063	1

● Exploded View of GMV-R90P/NaB-K, GMV-R112P/NaB-K, GMV-R140P/NaB-K.



NO.	Model	GMV-R90P/NaB-K	GMV-R112P/NaB-K	GMV-R140P/NaB-K	Qty
	Product Code	CM800N0500	CM800N0510	CM800N0520	
	Part Name	Part Code	Part Code	Part Code	
1	Side Plate Assy at the Air Outlet	01498608	01498608	01498608	1
2	Left Support of Evaporator Sub-Assy	01805279	01805279	01805279	1
3	Electronic Expansion Valve Coil	43040001	43040001	43040001	1
4	Evaporator Assy	01024222	01024222	01024218	1
5	Top Cover Plate Assy	01258607	01258607	01258607	1
6	Right Support of Evaporator	01078604	01078604	01078604	1
7	Right Side Plate Assy	01308679	01308679	01308679	1
8	Side Plate Sub-Assy at the Air Inlet	01499066	01499066	01499066	1
9	Filter Sub-Assy	11129062	11129062	11129062	1
10	Motor	15018603	15018603	15018603	2
11	Motor	15018604	15018604	15018604	1
12	Fan Motor	1570521101	1570521101	1570521001	1
13	Fan Motor	1570521201	1570521201	1570520901	1
14	Bottom Cover Plate Assy	01258603	01258603	01258603	1
15	Return Air Cover Plate	01258602	01258602	01258602	1
16	Drain Pan Assy	01278603	01278603	01278603	1
17	Electric Box Assy	01394957	01394957	01394896	1
18	Capacitor CBB61	33010064	33010064	33010064	1
19	Capacitor CBB61	33010014	33010014	33010056	1
20	Terminal Board	42011106	42011106	42011106	1
21	Transformer	43110239	43110239	43110239	1
22	Main Board	30226168	30226168	30226168	1
23	Electric Box Cover	01425249	01425249	01425249	1
24	Left Seal Plate Sub-Assy	01308672	01308672	01308672	1
25	Seal Plate of the Connection Pipe	01498601	01498601	01498601	1
26	Left Side Plate Assy	01315255	01315255	01315255	1
27	Hook	02118504	02118504	02118504	4
28	Connecting Wire	40010232	40010232	40010232	1
29	Display Board	30296014	30296014	30296014	1
30	Sensor Sub-Assy	39004167G	39004167G	39004167G	1
31	Remote Controller	305125063	305125063	305125063	1
32	Connecting Wire	4001039509	4001039509	4001039509	1

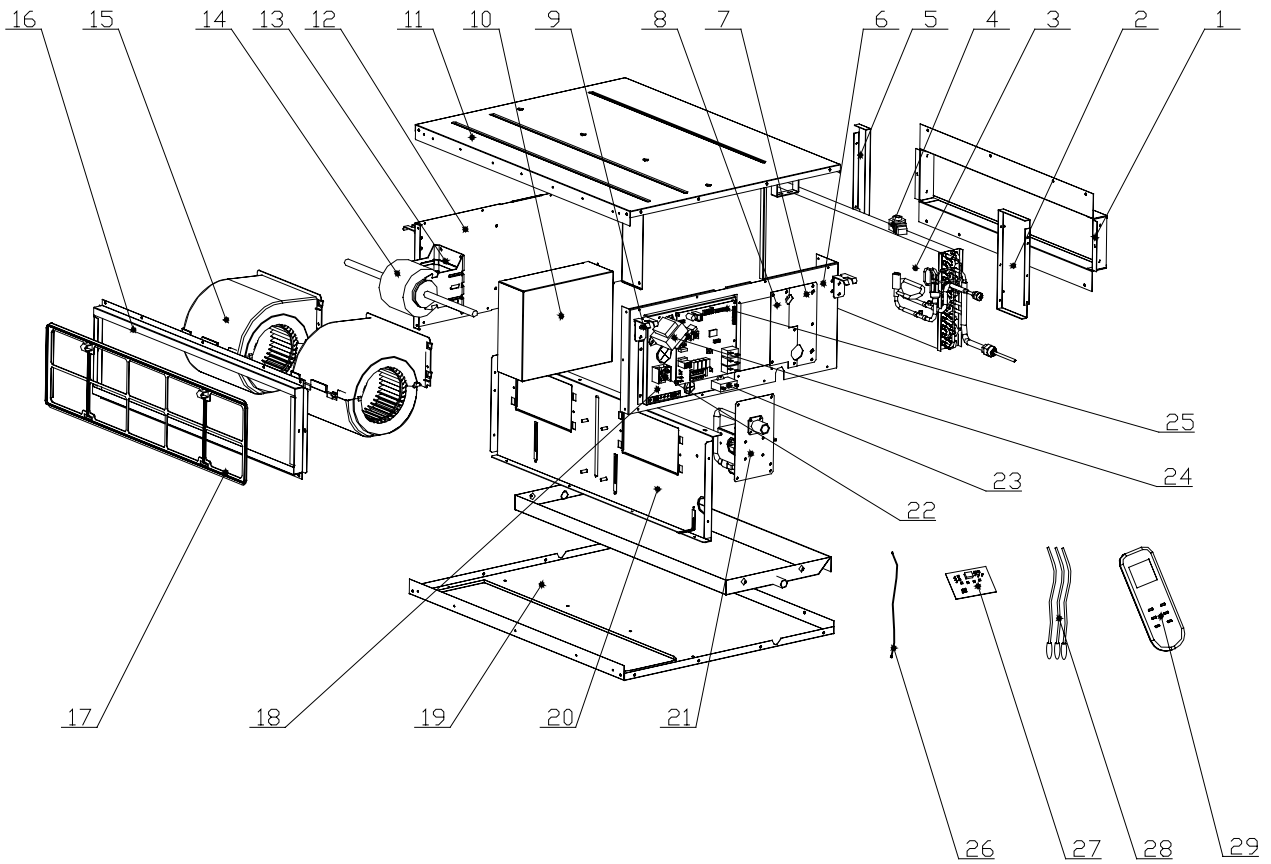
- Exploded View of GMV-R22PS/NaB-K, GMV-R28PS/NaB-K, GMV-R36PS/NaB-K, GMV-R45PS/NaB-K.



NO.	Model	GMV-R22PS/NaB-K	GMV-R28PS/NaB-K	Qty.
	Product Code	CM800N2000	CM800N2010	
	Part Name	Part Code	Part Code	
1	Side Plate Sub-Assy at the Air Inlet	01494118	01494118	1
2	Left Support of Evaporator	01094122	01094122	1
3	Evaporator Assy	01024231	01024230	1
4	Electronic Expansion Valve Coil	43040001	43040001	1
5	Right Support of Evaporator	01094121	01094121	1
6	Left Side Plate Assy	01314172	01314172	1
7	Left Seal Plate Sub-Assy	01494115	01494115	1
8	Seal Plate of the Connection Pipe	01494116	01494116	1
9	Hook	02112446	02112446	4
10	Electric Box Cover	01424319	01424319	1
11	Top Cover Plate Assy	01264176	01264176	1
12	Right Side Plate Assy	01314175	01314175	1
13	Motor Support	0170905901	0170905901	1
14	Fan Motor	1570520103	1570520201	1
15	Motor Sub-Assy	150024011	150024011	2
16	Side Plate at the Return Air Inlet	02225234	02225234	1
17	Filter	11725202	11725202	1
18	Electric Box Assy	01394977	01394977	1
19	Electric Box Sub-Assy	01394978	01394978	1
20	Lower Cover Plate Sub-Assy	01264178	01264178	1
21	Fan Motor Mounting Plate Sub-Assy	01324341	01324341	1
22	Water Pump Assy	15404117	15404117	1
23	Terminal Board	42011106	42011106	1
24	Capacitor	33010027	33010027	1
25	Transformer	43110237	43110237	1
26	Main Board	30226222	30226222	1
27	Electronic Expansion Valve	07334281	07334281	1
28	Connecting Wire	4001039509	4001039509	1
29	Display Board	30296014	30296014	1
30	Sensor Sub-Assy	39008026G	39008026G	1
31	Remote Controller	305125063	305125063	1

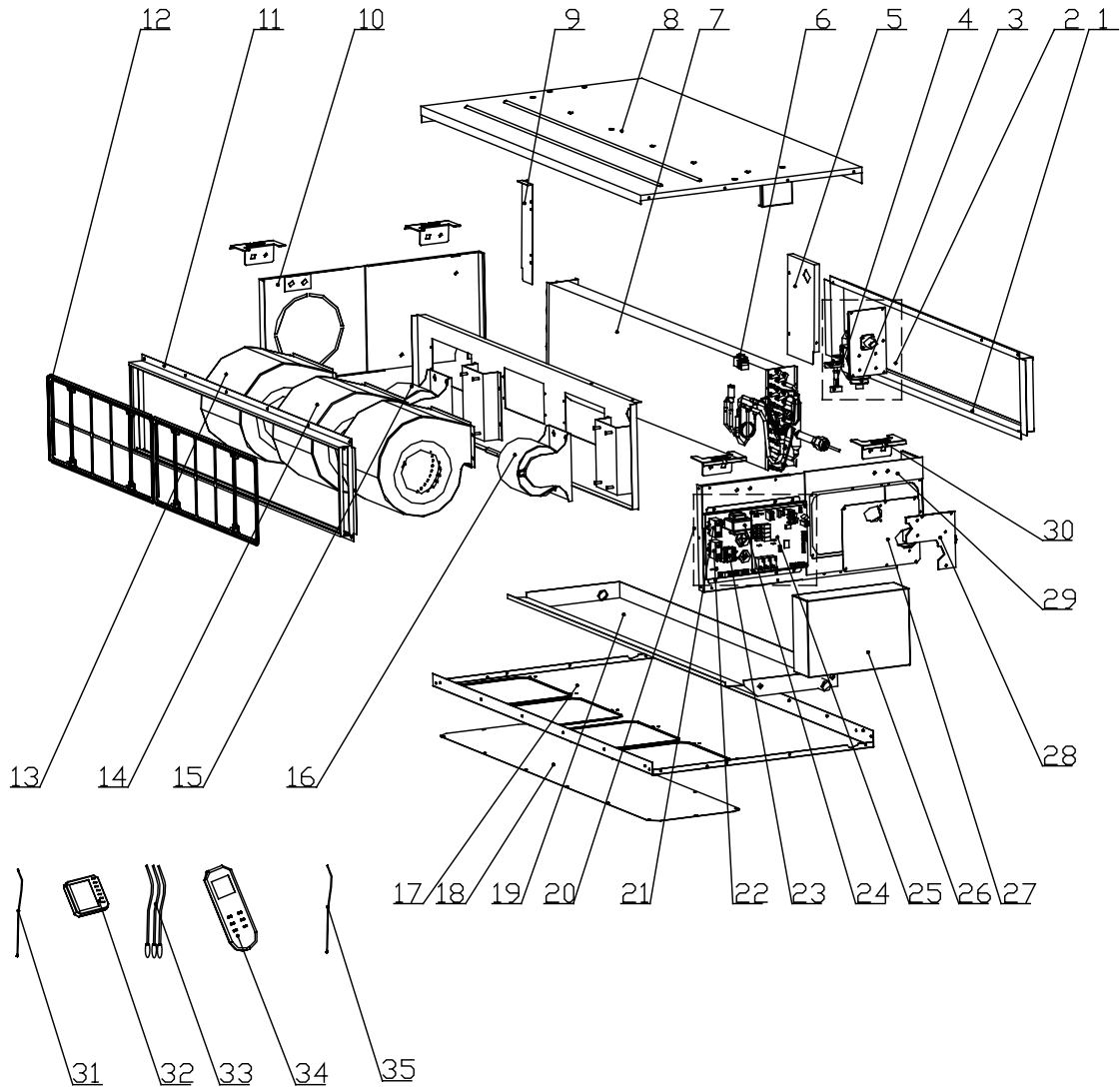
NO.	Model	GMV-R36PS/NaB-K	GMV-R45PS/NaB-K	Qty.
	Product Code	CM800N2020	CM800N2060	
	Part Name	Part Code	Part Code	
1	Side Plate Sub-Assy at the Air Inlet	01494118	01494118	1
2	Left Support of Evaporator	01094122	01094122	1
3	Evaporator Assy	01024232	01024211	1
4	Electronic Expansion Valve Coil	43040001	43040001	1
5	Right Support of Evaporator	01094121	01094121	1
6	Left Side Plate Assy	01314172	01314172	1
7	Left Seal Plate Sub-Assy	01494115	01494115	1
8	Seal Plate of the Connection Pipe	01494116	01494116	1
9	Hook	02112446	02112446	4
10	Electric Box Cover	01424319	01424319	1
11	Top Cover Plate Assy	01264176	01264176	1
12	Right Side Plate Assy	01314175	01314175	1
13	Motor Support	0170905901	0170905901	1
14	Fan Motor	1570520201	1501832202	1
15	Motor Sub-Assy	150024011	150024011	2
16	Side Plate at the Return Air Inlet	02225234	02225234	1
17	Filter	11725202	11725202	1
18	Electric Box Assy	01394977	01394977	1
19	Electric Box Sub-Assy	01394978	01394978	1
20	Lower Cover Plate Sub-Assy	01264178	01264178	1
21	Fan Motor Mounting Plate Sub-Assy	01324341	01324341	1
22	Water Pump Assy	15404117	15404117	1
23	Terminal Board	42011106	42011106	1
24	Capacitor	33010027	33010027	1
25	Transformer	43110237	43110237	1
26	Main Board	30226222	30226222	1
27	Electronic Expansion Valve	07334281	07334281	1
28	Connecting Wire	4001039509	4001039509	1
29	Display Board	30296014	30296014	1
30	Sensor Sub-Assy	39008026G	39008026G	1
31	Remote Controller	305125063	305125063	1

● Exploded View of GMV-R56PS/NaB-K, GMV-R71PS/NaB-K.



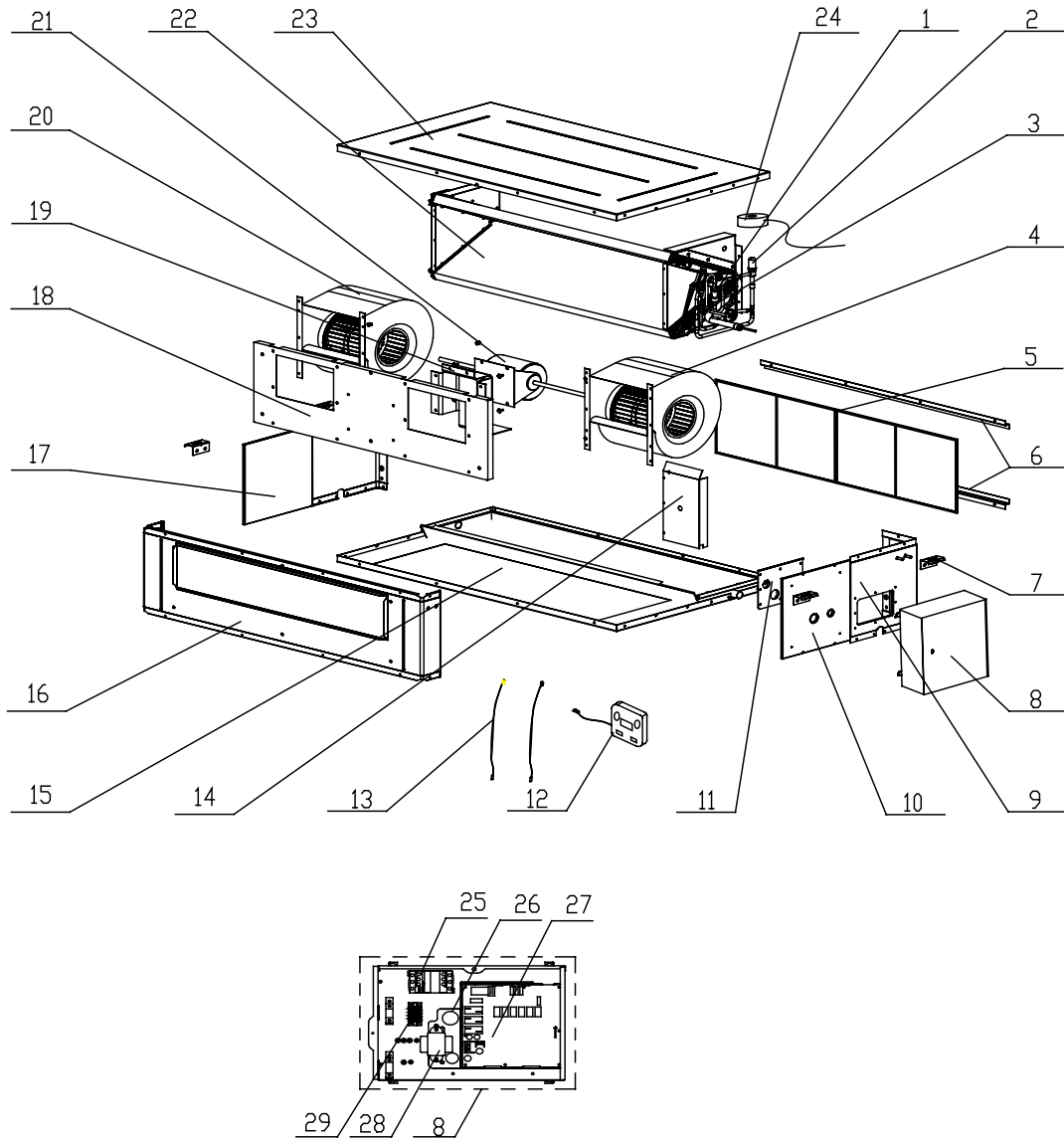
NO.	Model	GMV-R56PS/NaB-K	GMV-R71PS/NaB-K	Qty.
	Product Code	CM800N2070	CM800N2080	
	Part Name	Part Code	Part Code	
1	Side Plate of Air outlet	01498612	01498612	1
2	Left Support of Evaporator	01078603	01078603	1
3	Evaporator Assy	01024234	01024234	1
4	Electronic Expansion Valve Coil	43040001	43040001	1
5	Right Support of Evaporator	01078604	01078604	1
6	Left Side Plate Assy	01314225	01314225	1
7	Left Seal Plate Sub-Assy	01494131	01494131	1
8	Seal Of Left Side Plate	01494129	01494129	1
9	Hook	02112466	02112466	4
10	Electric Box Cover	01425249	01425249	1
11	Top Cover Plate Assy	01258651	01258651	1
12	Right Side Plate Assy	01308679	01308679	1
13	Motor Support	01708501	01708501	1
14	Fan Motor	1570521101	1570521101	1
15	Motor Sub-Assy	15018603/15018604	15018603/15018604	1
16	Side Plate Sub-Assy at the Air Inlet	01499074	01499074	1
17	Filter 1	11129066	11129066	1
18	Electric Box Assy	01394987	01394987	1
19	Lower Cover Plate Assy	01258612	01258612	1
20	Fan Motor Mounting Plate Sub-Assy	01324350	01324350	1
21	Water Pump Assy	15404119	15404119	1
22	Terminal Board	42011106	42011106	1
23	Capacitor	33010014	33010014	1
24	Transformer	43110239	43110239	1
25	Main Board	30226222	30226222	1
26	Connecting Wire	40010232	40010232	1
27	Display Board	30296014	30296014	1
28	Sensor Sub-Assy	39004167G	39004167G	1
29	Remote Controller	305125063	305125063	1

- Exploded View of GMV-R90PS/NaB-K, GMV-R112PS/NaB-K,GMV-R140PS/NaB-K.



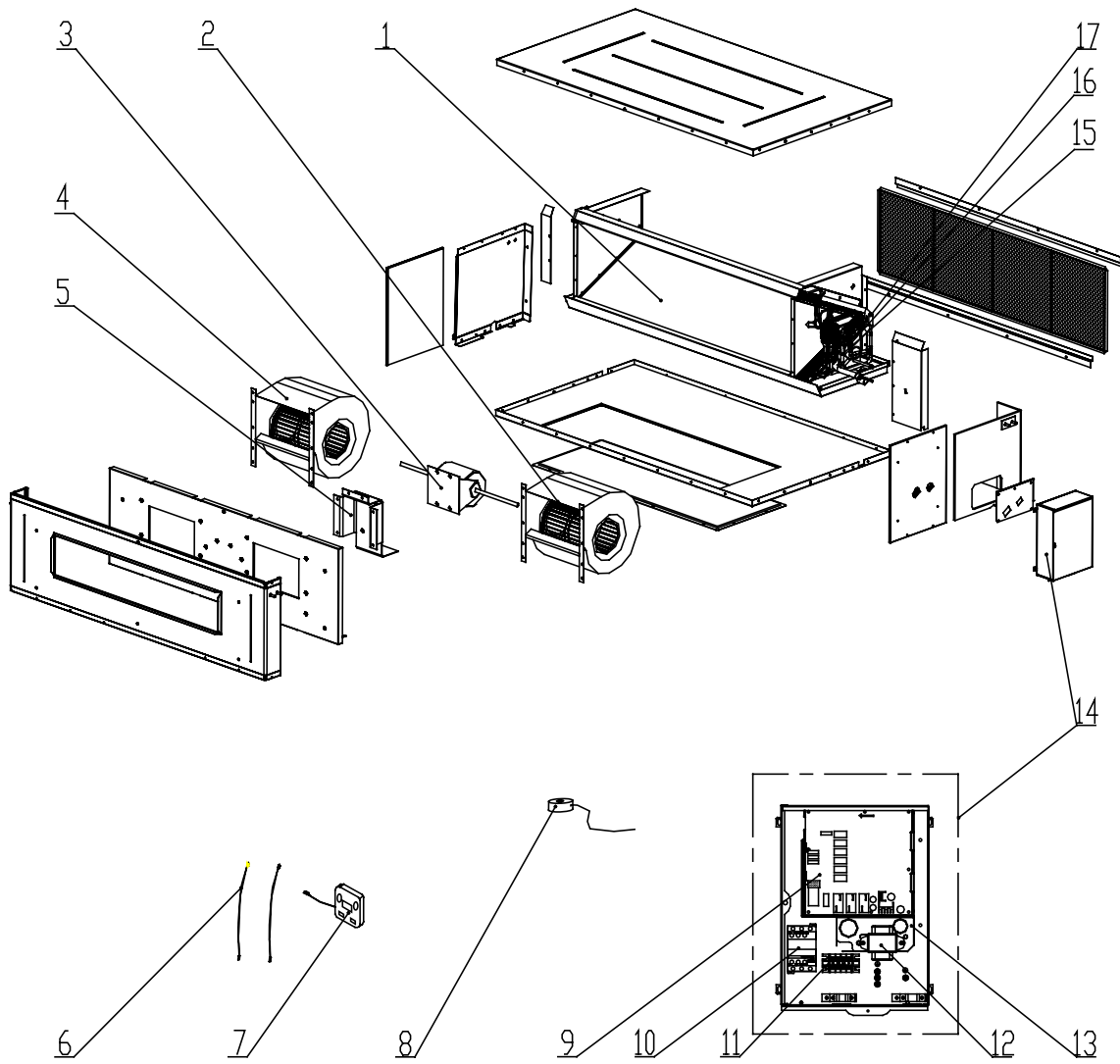
NO.	Model	GMV-R90PS/NaB-K	GMV-R112PS/NaB-K	GMV-R140PS/NaB-K	Qty.
	Product Code	CM800N2090	CM800N2100	CM800N2110	
	Part Name	Part Code	Part Code	Part Code	
1	Side Plate of Air outlet Assy	01498608	01498608	01498608	1
2	Water Pump Assy	15404119	15404119	15404118	1
3	Water Pump	43138220	43138220	43138220	1
4	Water Level Switch	45018012	45018012	450102012	1
5	Left Support of Evaporator	01805279	01805279	01804703	1
6	Electronic Expansion Valve Coil	43040001	43040001	43040001	1
7	Evaporator Assy	01024233	01024233	01024218	1
8	Top Cover Plate Assy	01258607	01258607	01264625	1
9	Right Support of Evaporator	01078604	01078604	01805221	1
10	Right Side Plate Assy	01308679	01308679	01308679	1
11	Side Plate Sub-Assy at the Air Inlet	01375221	01375221	01375221	1
12	Filter	11725205	11725205	11725205	2
13	Motor	15018603	15018603	15018603	2
14	Motor	15018604	15018604	15018604	1
15	Fan Motor	1570521101	1570521101	1570520901	1
16	Fan Motor	1570521201	1570521201	1570521001	1
17	Lower Cover Plate Assy	01258603	01258603	0125860301	1
18	Cover Of Air-In	01258602	01258602	01258602	1
19	Drain Pan Assy	01284160	01284160	01284157	1
20	Electric Box Assy	01394986	01394986	01394985	1
21	Capacitor	33010014	33010014	33010056	1
22	Capacitor	33010064	33010064	33010064	1
23	Terminal Board	42011106	42011106	42011106	1
24	Transformer	43110239	43110239	43110239	1
25	Main Board	30226222	30226222	30226222	1
26	Electric Box Cover	01425249	01425249	01425249	1
27	Left Seal Plate Sub-Assy	01494124	01494124	01494121	1
28	Seal Of Left Side Plate	01494123	01494123	01494120	1
29	Left Side Plate Assy	01314225	01314225	01314222	1
30	Hook	02118504	02118504	02118504	1
31	Connecting Wire	40010232	40010232	40010232	1
32	Display Board	30296014	30296014	30296014	1
33	Sensor Sub-Assy	39004167G	39004167G	39004167G	1
34	Remote Controller	305125063	305125063	305125063	1
35	Connecting Wire	4001039509	4001039509	4001039509	1

● Exploded View of GMV-R224P/NaB-M.



No.	Model	GMV-R224P/NaB-M	Qty.
	Product Code	CM800N2200	
	Part Name	Part Code	
1	Bidirection Strainer	07220016	1
2	Electronic Expansion Valve	07130364	1
3	Check Valve	04324001	1
4	Motor	15705307	1
5	Filter Sub-Assy	11725211	2
6	Filter Screen Slot	02285220	2
7	Hook	02112466	4
8	Electric Box Assy	02404114	1
9	Right Side Plate Assy	01314321	1
10	Right Side Plate Sub-Assy	01315378	1
11	Baffle Assembly for Refrigerant Pipe	01494143	1
12	Display Board	30296014	1
13	Sensor Sub-Assy	39004165	1
14	Seal Plate	01345218	1
15	Lower Cover Plate Assy	01265357	1
16	Front Side Plate Sub-Assy	01315374	1
17	Left Side Plate Sub-Assy	01315377	1
18	Fan Mounting Plate Assy	01325325	1
19	Motor Support Sub-Assy	01805381	1
20	Motor	15705306	1
21	Fan Motor	15705229	1
22	Evaporator Assy	01024265	1
23	Top Cover Plate Assy	01265359	1
24	Electronic Expansion Valve Coil	4300010814	1
25	AC Contactor	44010232	1
26	Mounting Plate	01845221	1
27	Main Board	30226222	1
28	Transformer	43110237	1
29	Terminal Board	420100071	1

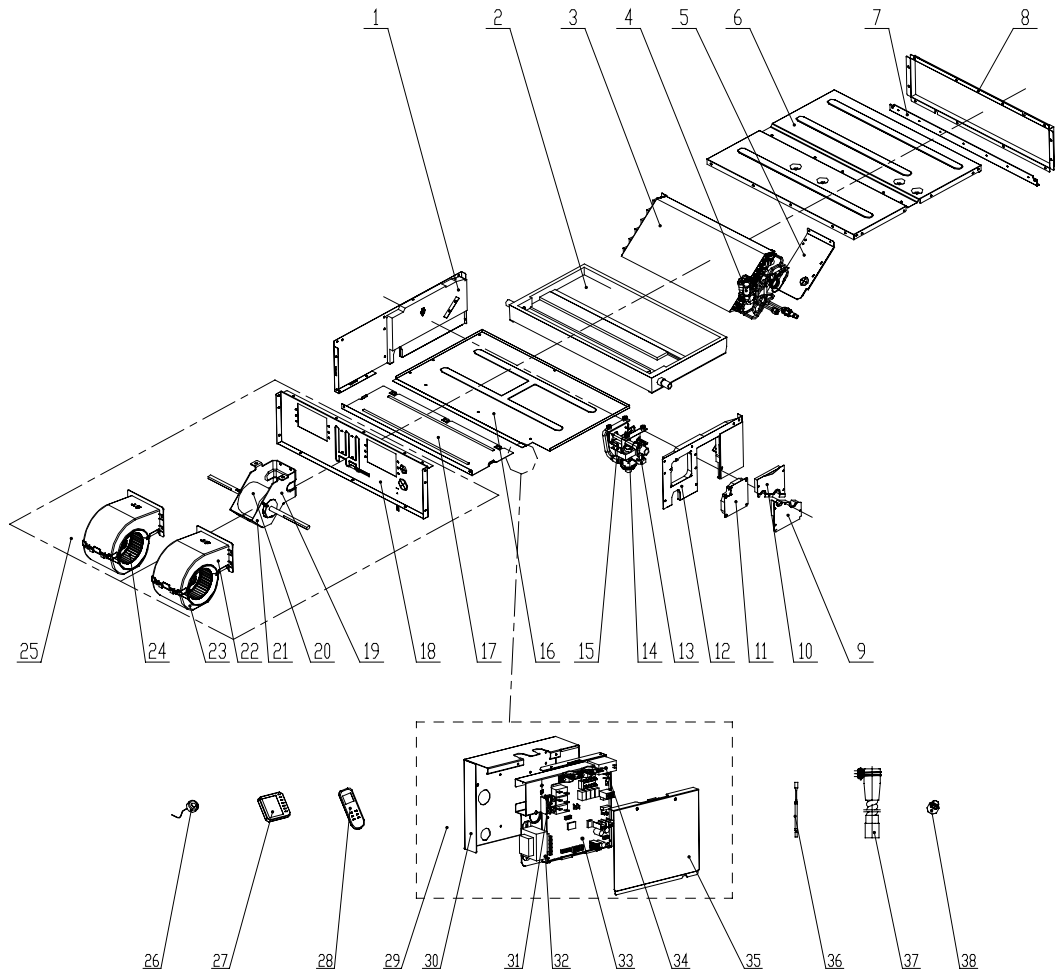
● Exploded View of GMV-R280P/NaB-M.



No.	Model	GMV-R280P/NaB-M	Qty.
	Product Code	CM800N2220	
	Part Name	Part Code	
1	Evaporator Assy	01024282	1
2	Fan	15704118	1
3	Fan Motor	15705229	1
4	Fan	1570411801	1
5	Motor Support Sub-Assy	01804715	1
6	Sensor Sub-Assy	39008074	1
7	Display Board	30296014	1
8	Electronic Expansion Valve Coil	4304413203	1
9	Main Board	30226222	1
10	AC Contactor	44010232	1
11	Terminal Board	420100071	1
12	Transformer	43110237	1
13	Mounting Plate	01845221	1
14	Electric Box Assy	02404114	1
15	Hook	02112466	4
16	Drain Plug	76712454	1
17	Check Valve	04324001	1
18	Filter	07212001	1
19	Electronic Expansion Valve	07331139	1

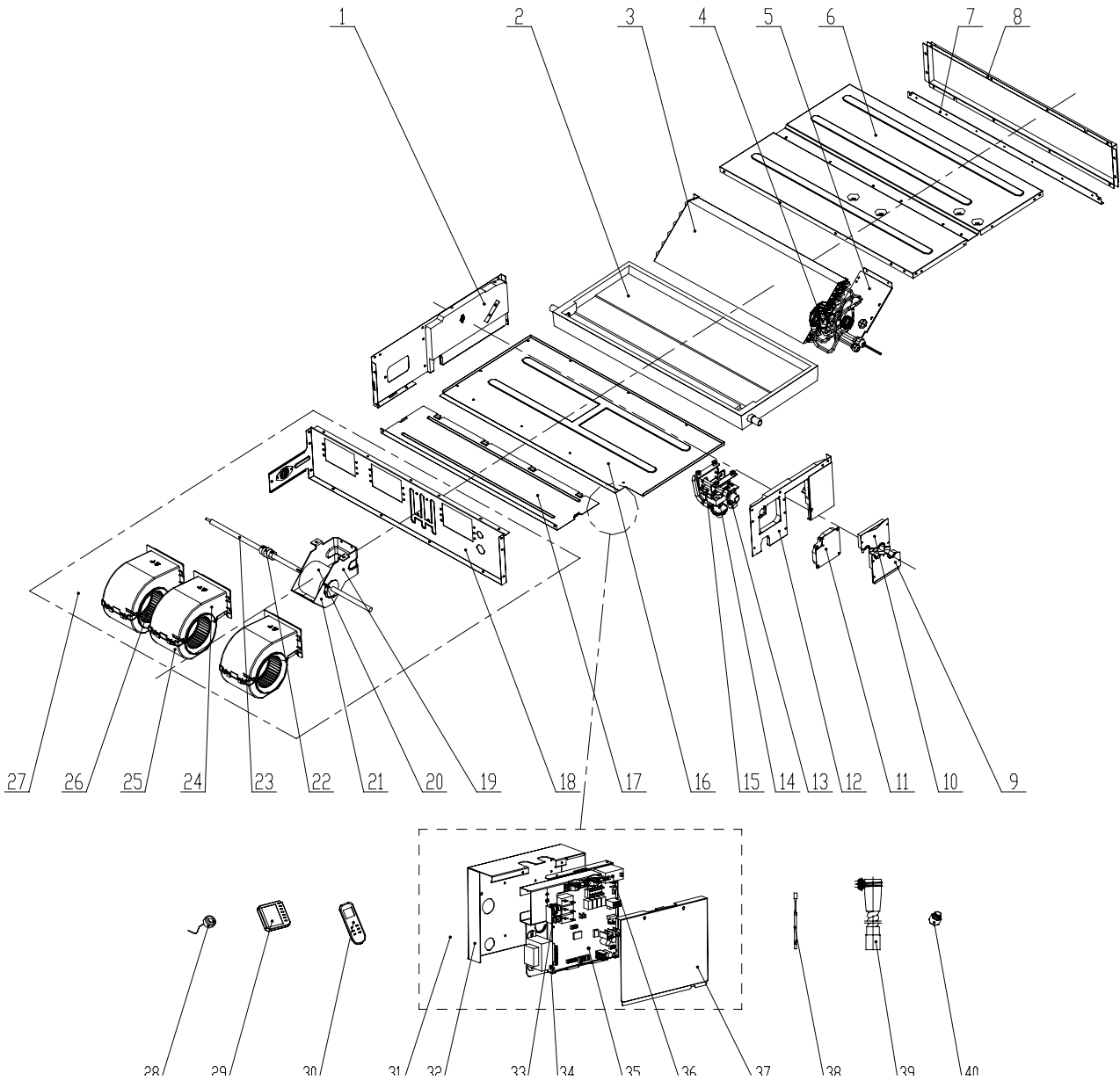
5.2.2 E-Series Duct Type

- Exploded View of GMV-R22PS/NaE-K, GMV-R28PS/NaE-K, GMV-R36PS/NaE-K.



No.	Model	GMV-R22PS/NaE-K	GMV-R28PS/NaE-K	GMV-R36PS/NaE-K	Qty.
	Product Code	CM800N3010	CM800N3020	CM800N3030	
	Part Name	Part Code	Part Code	Part Code	
1	Right Side Plate Assy	01315335	01315335	01315335	1
2	Drain Pan Assy	01285332	01285332	01285332	1
3	Evaporator Assy	01024261	01024261	01024262	1
4	Electronic Expansion Valve	07334281	07334281	07334281	1
5	Seal of Evaporator Assy	01494140	01494140	01494140	1
6	Top Cover Assy	01265325	01265325	01265325	1
7	Cover of Air Outlet	01265298	01265298	01265298	1
8	Air Outlet Frame Assy	01865216	01865216	01865216	1
9	Lower End Plate	01494137	01494137	01494137	1
10	Upper End Plate	01494135	01494135	01494135	1
11	Seal Plate Sub-Assy at Water Outlet	01495315	01495315	01495315	1
12	Left Side Plate Assy	01314238	01314238	01314238	1
13	Water Level Switch	45018012	45018012	45018012	1
14	Water Pump	43130324	43130324	43130324	1
15	Water Pump Assy	15405241	15405241	15405241	1
16	Bottom Cover	01265299	01265299	01265299	1
17	Cover Of Fan Motor	01265300	01265300	01265300	1
18	Fan Motor Mounting Plate Sub-Assy	01325277	01325277	01325277	1
19	Supporter	01805288	01805288	01805288	1
20	Fan Motor	1570520102	1570520102	1570520102	1
21	Bar Clasp	70815201	70815201	70815201	1
22	Front Volute Casing	26905205	26905205	26905205	2
23	Rear Volute Casing	26905206	26905206	26905206	2
24	Centrifugal Fan	10425200	10425200	10425200	2
25	Fan Mounting Plate Assy	01325312	01325312	01325312	1
26	Magnet Coil for Electronic Expansion Vale	43040001	43040001	43040001	1
27	Display Board	30296020	30296014	30296014	1
28	Remote Controller	305125063	305125063	305125063	1
29	Electric Box Assy	01395086	01395148	01395092	1
30	Electric Box Sub-Assy	01395541	01395541	01395541	1
31	Terminal Board	42011154	42011154	42011154	1
32	Transformer	43110237	43110237	43110237	1
33	Main Board	30226222	30226221	30226222	1
34	Capacitor	33010020	33010020	33010020	1
35	Electric Box Cover	01425257	01425257	01425257	1
36	Sensor Sub-Assy	39004166G	39004166G	39004166G	1
37	Drain Hose Sub-Assy	05232050	05232050	05232050	1
38	Drain Plug	76815214	76815214	76815214	2

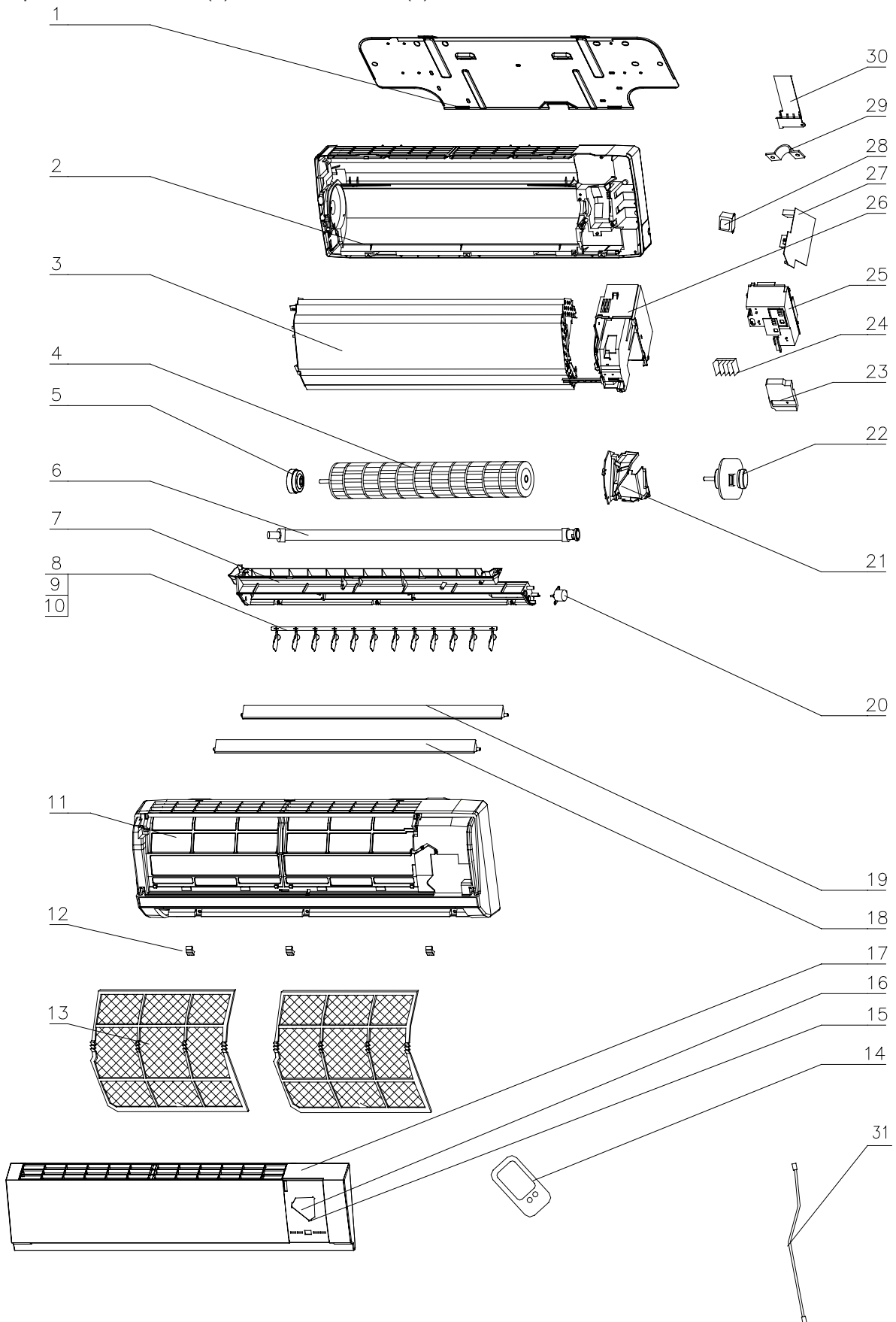
● Exploded View of GMV-R45PS/NaE-K,GMV-R56PS/NaE-K,GMV-R71PS/NaE-K.



No.	Model	GMV-R45PS/NaE-K	GMV-R56PS/NaE-K	GMV-R71PS/NaE-K	Qty.
	Product Code	CM800N3040	CM800N3050	CM800N3000	
	Part Name	Part Code	Part Code	Part Code	
1	Right Side Plate Assy	01305263	01305263	01305263	1
2	Drain Pan Assy	01285333	01285333	01285333	1
3	Evaporator Assy	01024303	01024263	01024264	1
4	Electronic Expansion Valve	07334283	07334283	07334283	1
5	Seal of Evaporator Assy	01494138	01494138	01494138	1
6	Top Cover Assy	01265328	01265328	01265328	1
7	Cover of Air Outlet	01265331	01265331	01265331	1
8	Air Outlet Frame Assy	01865217	01865217	01865217	1
9	Lower End Plate	12204380	12204380	12204380	1
10	Upper End Plate	01494135	01494135	01494135	1
11	Seal Plate Sub-Assy at Water Outlet	01495315	01495315	01495315	1
12	Left Side Plate Assy	01314238	01314238	01314238	1
13	Water Level Switch	45018012	45018012	45018012	1
14	Water Pump	43130324	43130324	43130324	1
15	Water Pump Assy	15405241	15405241	15405241	1
16	Bottom Cover	01265332	01265332	01265332	1
17	Cover Of Fan Motor	01265333	01265333	01265333	1
18	Fan Mounting Plate Sub-Assy	01325315	01325315	01325315	1
19	Supporter	01805288	01805288	01805288	1
20	Fan Motor	15705218	15705218	15705218	1
21	Bar Clasp	70818405	70818405	70818405	1
22	Joint Slack	73018731	73018731	73018731	1
23	Rotary Shaft Sub-Assy	73018020	73018020	73018020	1
24	Front Volute Casing	26905205	26905205	26905205	3
25	Rear Volute Casing	26905206	26905206	26905206	3
26	Centrifugal Fan	10425200	10425200	10425200	3
27	Fan Mounting Plate Assy	01325314	01325314	30296014	1
28	Magnet Coil for Electronic Expansion Vale	43040001	43040001	43040001	1
29	Display Board	30296014	30296014	30296014	1
30	Remote Controller	305125063	305125063	305125063	1
31	Electric Box Assy	01395092	01395092	01395092	1
32	Electric Box Sub-Assy	01395541	01395541	01395541	1
33	Terminal Board	42011154	42011154	42011154	1
34	Transformer	43110237	43110237	43110237	1
35	Main Board	30226222	30226222	30226222	1
36	Capacitor	33010027	33010027	33010027	1
37	Electric Box Cover	01425257	01425257	01425257	1
38	Sensor Sub-Assy	39004166	39004166	39004166	1
39	Drain Hose Sub-Assy	05232050	05232050	05232050	1
40	Drain Plug	76815214	76815214	76815214	2

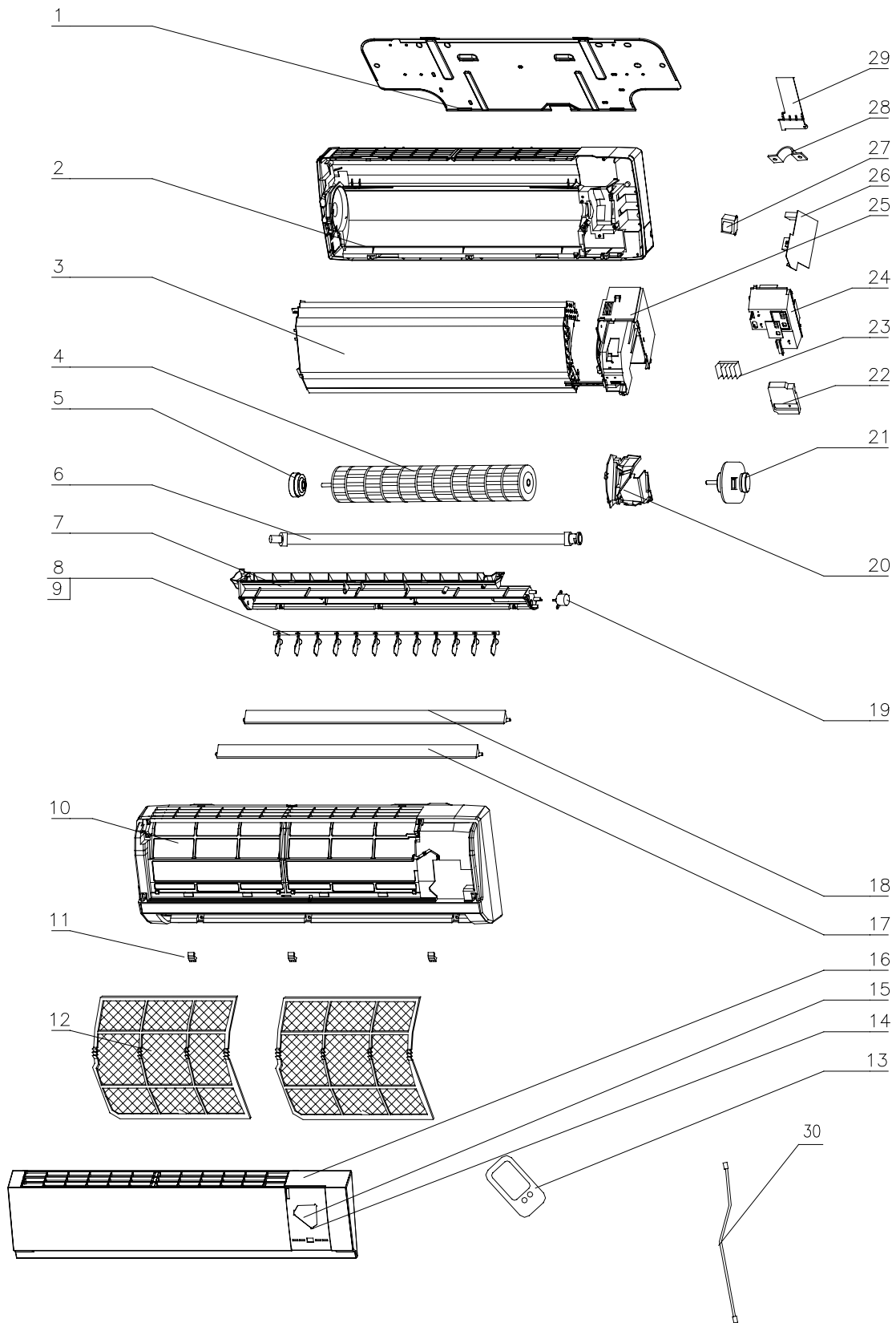
5.3 Wall Mounted Type

Exploded View of GMV(L)-R22G/NaB-K, GMV(L)-R28G/NaB-K.



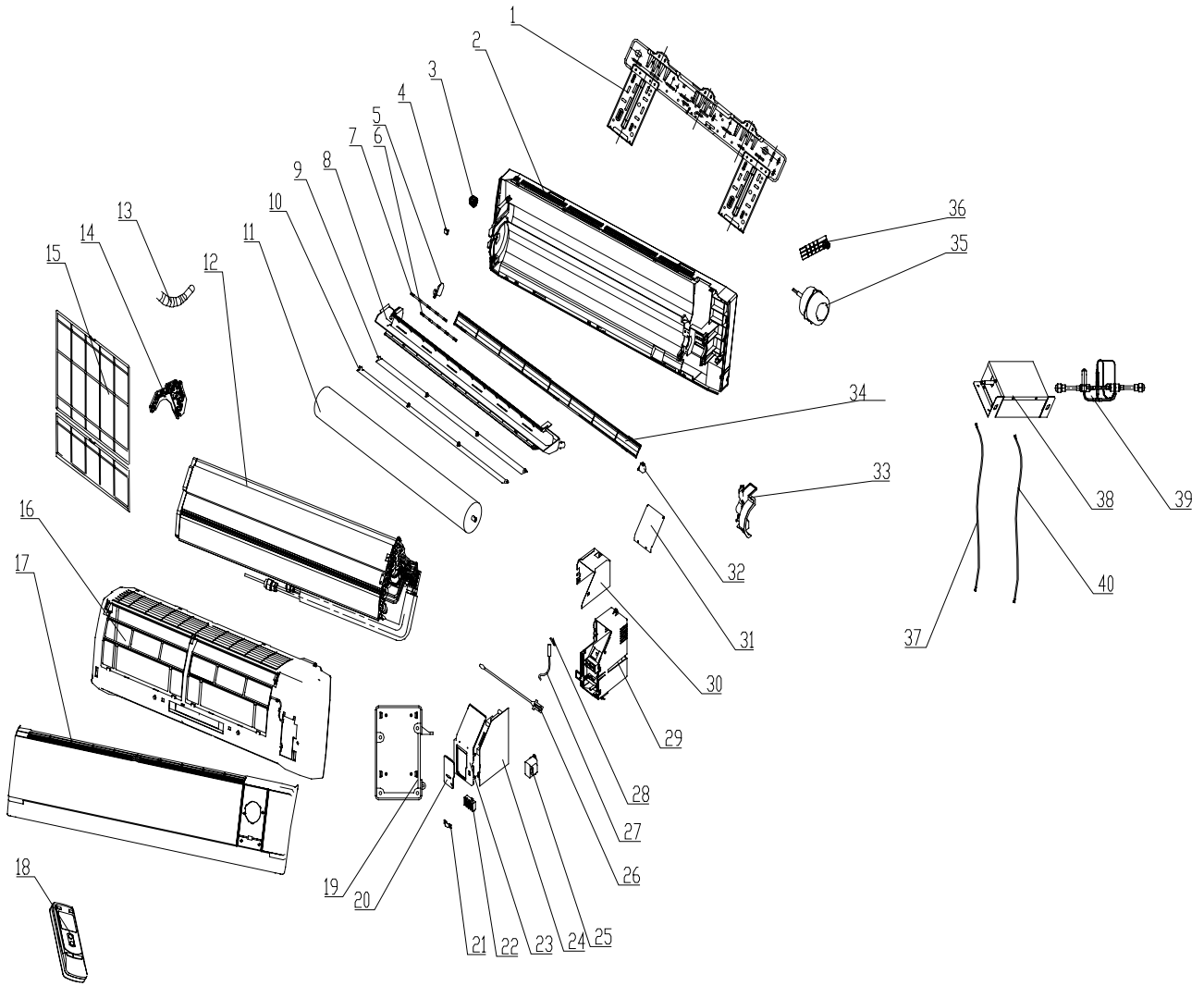
No.	Model	GMV-R22G/NaB-K	GMV-R28G/NaB-K	Qty.
	Product Code	EM100N0070	EM100N0090	
	Part Name	Part Code	Part Code	
1	Wall-Mounting Frame	01252220	01252220	1
2	Rear Case	222020012	222020012	1
3	Evaporator Assy	0100462801	0100462801	1
4	Cross Flow Fan	10352001	10352001	1
5	Bearing Gasket	/	/	1
6	Drainage Hose	0523001407	0523001407	1
7	Drain Pan	20182027	20182027	1
8	Swing Louver	10512032	10512032	1
9	Swing Linkage 1	10582002	10582002	1
10	Swing Linkage 2	10582003	10582003	1
11	Front Case	20002215	20002215	1
12	Screw Cover	24252006	24252006	3
13	Filter	11122002	11122002	2
14	Remote Control	305125063	305125063	1
15	Decorating Piece	68012019	68012019	1
16	Receiver Board	30545702	30545702	1
17	Front Panel	20002209	20002209	1
18	Guide Louver 2	10512034	10512034	1
19	Guide Louver 1	10512033	10512033	1
20	Motor MP28VA	15212110	15212110	1
21	Motor Clamp	26112014	26112014	1
22	Motor	150121081	150121081	1
23	Electric Box Cover	22242030	22242030	1
24	Terminal Board T4B3A	42011233	42011233	1
25	Covering Plate	201220061	201220061	1
26	Electric Box	20102178	20102178	1
27	Main PCB	30226119	30226074	1
28	Transformer 48X26F	43110226	43110226	1
29	Wire Clamp	71010103	71010103	1
30	Rear Clamp	24242001	24242001	1
31	Signal Cable	4001039509	4001039509	1

Exploded View of GMV(L)-R36G/NaB-K,GMV(L)-R45G/NaB-K .



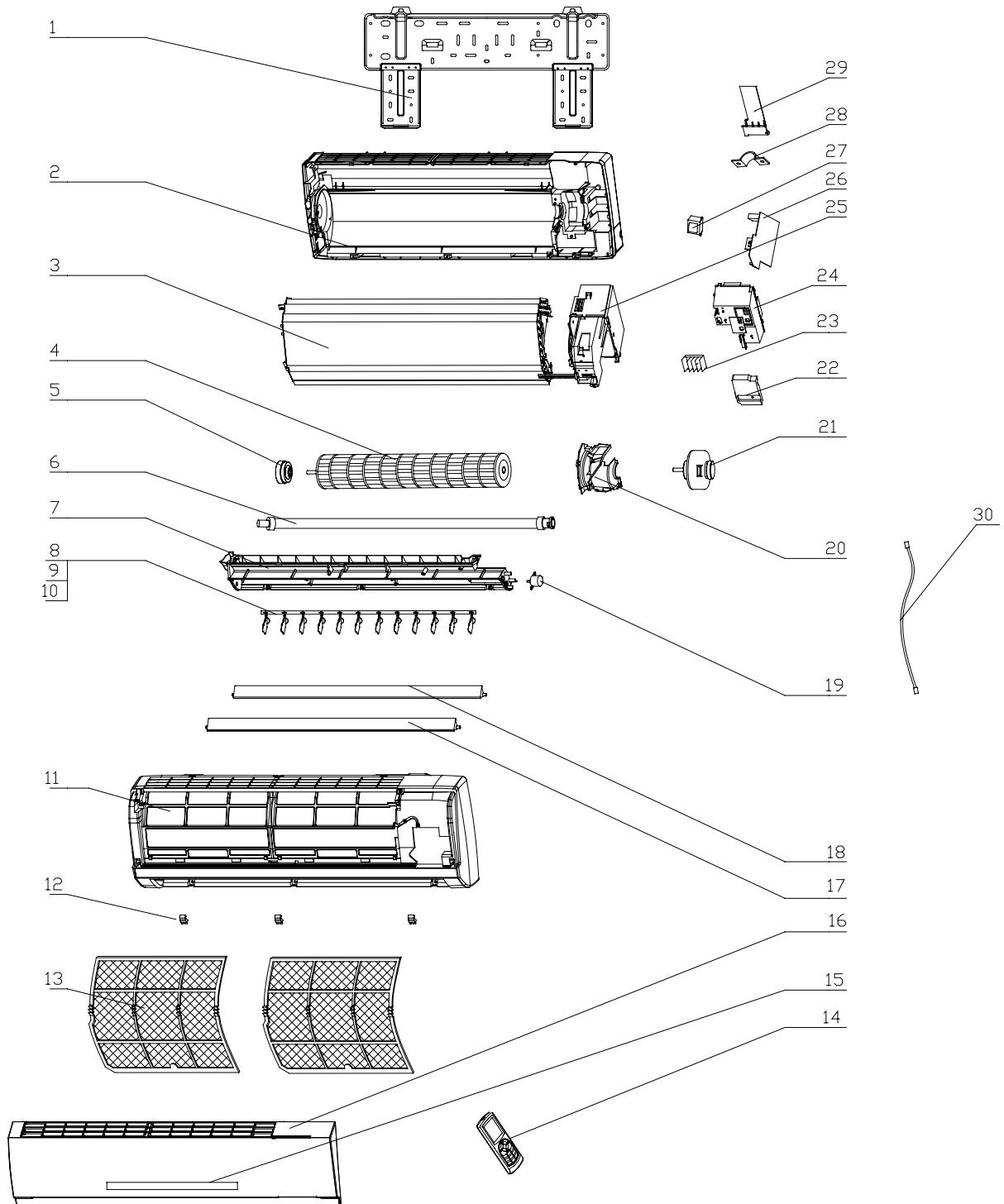
No.	Model	GMV-R36G/NaB-K	GMV-R45G/NaB-K	Qty.
	Product Code	EM100N0110	EM100N0130	
	Part Name	Part Code	Part Code	
1	Wall-Mounting Frame	01252384	01252384	1
2	Rear Case	22202050	22202050	1
3	Evaporator Assy	01004629	01004629	1
4	Cross Flow Fan	10352005	10352005	1
5	Bearing Gasket	/	/	1
6	Drainage Hose	0523001401	0523001401	1
7	Drain Pan	20182030	20182030	1
8	Swing Louver	10512041	10512041	12
9	Swing Linkage	10582439	10582439	1
10	Front Case	20002292	20002292	1
11	Screw Cover	24252007	24252007	3
12	Filter	11122440	11122440	2
13	Remote Control Y612C	305160051	305160051	1
14	Decorating Piece	68012019	68012019	1
15	Receiver Board	30545552	30545552	1
16	Front Panel	20002292	20002292	1
17	Guide Louver	26112043	26112043	1
18	Guide Louver	26112042	26112042	1
19	Motor MP28EA	15212105	15212105	1
20	Right Motor Clamp	26112429	26112429	1
21	Motor	150120623	20002292	1
22	Electric Box Cover	22242017	22242017	1
23	Terminal Board T4B3A	42011233	42011233	1
24	Covering Plate	20102119	20102119	1
25	Electric Box	20102108	20102108	1
26	Main PCB	30226122	30226122	1
27	Transformer 48X26F	43110226	43110226	1
28	Wire Clamp	71010103	71010103	1
29	Rear Clamp	26112430	26112430	1
30	Signal Cable	40010232/40010267	40010232/40010267	1

Exploded View of GMV(L)-R50G/NaB-K,GMV(L)-R56G/NaB-K.



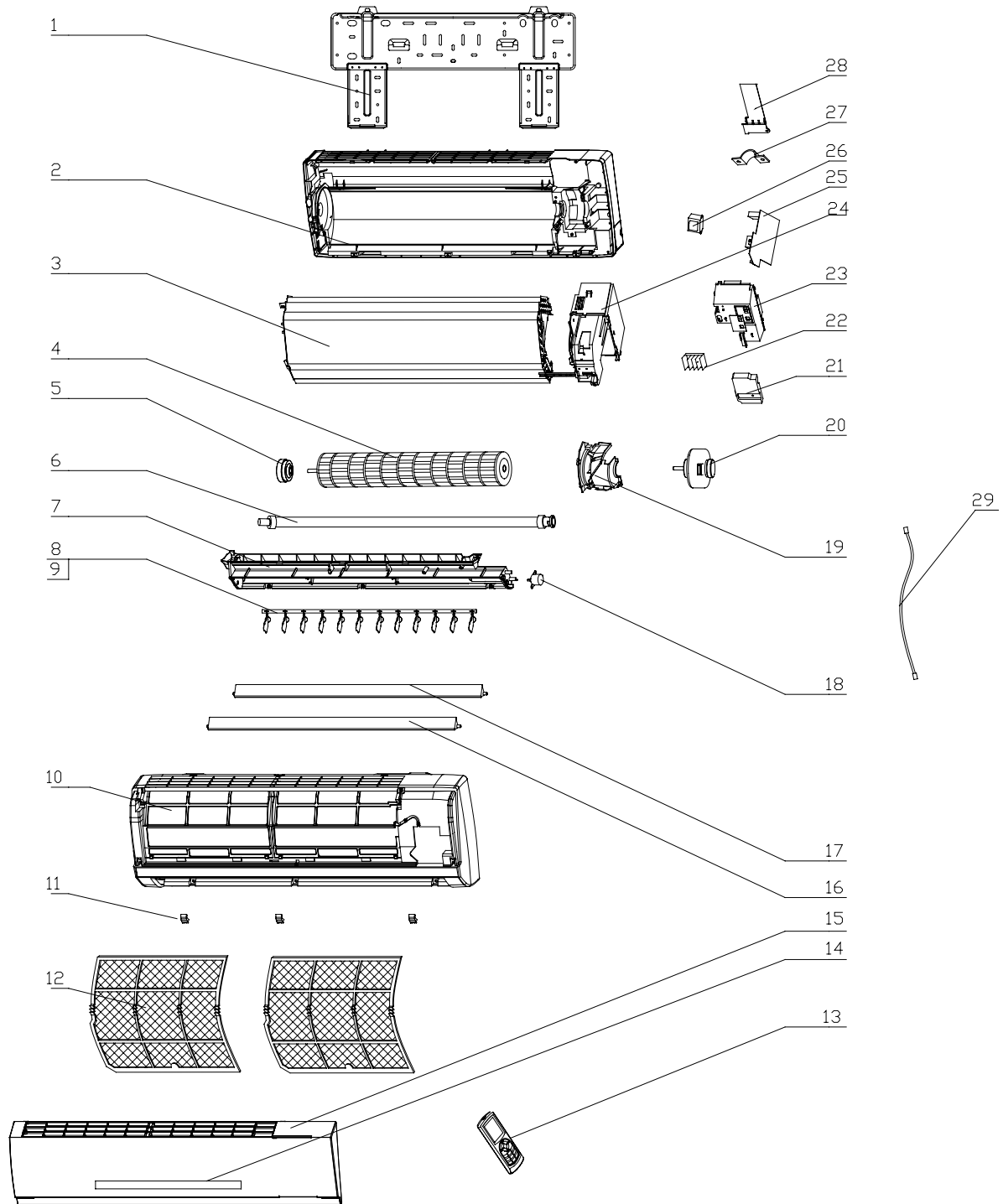
No.	Model	GMV-R50G/NaB-K	GMV-R56G/NaB-K	Qty.
	Product Code	CM100N0020	CM100N0010	
	Part Name	Part Code	Part Code	
1	Wall-Mounting Frame	01252004	01252004	1
2	Rear Case	22202329	22202329	1
3	Fan Bearing	76512203	76512203	1
4	Screw Cover	24252015	24252015	3
5	Swing Louver	10512429	10512429	11
6	Swing Link 1	10582057	10582057	1
7	Swing Link 2	10582058	10582058	1
8	Drain Pan	20182057	20182057	1
9	Guide Louver(up)	10512085	10512085	1
10	Guide Louver(down)	10512086	10512086	1
11	Cross Flow Fan	10352022	10352022	1
12	Evaporator Assy	01024148	01024147	1
13	Drainage Hose	0523001405	0523001405	1
14	Evaporator Support	24212067	24212067	1
15	Filter	11122048	11122048	2
16	Front Case	200026529	200026529	1
17	Front Panel	01544115	01544115	1
18	Remote Controller	305125063	305125063	1
19	Display Cover	22432071	22432071	1
20	Electric Box Cover 1	20112019	20112019	1
21	Wire Clamp	71010103	71010103	1
22	Terminal Board	42011233	42011233	1
23	Electric Box Cover	20112020	20112020	1
24	Main PCB	30226116	30226116	1
25	Transformer	43110237	43110237	1
26	Room Sensor	3900019813	3900019813	1
27	Tube Sensor 20k	3900019814G	3900019814G	1
		3900019815G	3900019815G	1
		3900019816G	3900019816G	1
28	Sensor Insert	42020063	42020063	3
29	Electric Box	20112018	20112018	1
30	Lower Shielding Box Cover	01592037	01592037	1
31	Upper Shielding Box Cover	01592038	01592038	1
32	Stepping Motor MP35XY	15212117	15212117	1
33	Motor Clamp	26112489	26112489	1
34	Volute Tougue	26252009	26252009	1
35	Motor FN20C-PG	150120671	150120671	1
36	Pipe Clamp	24242001	24242001	1
37	Signal Cable	4001039509	4001039509	1
38	Mounting Plate Sub-Assy	01324110P	01324110P	1
39	EXV Sub-Assy	07334225	07334224	1
40	Connecting Wire	40010267	40010267	1

Exploded View of GMV(L)-R22G/NaC-K,GMV(L)-R28G/NaC-K.



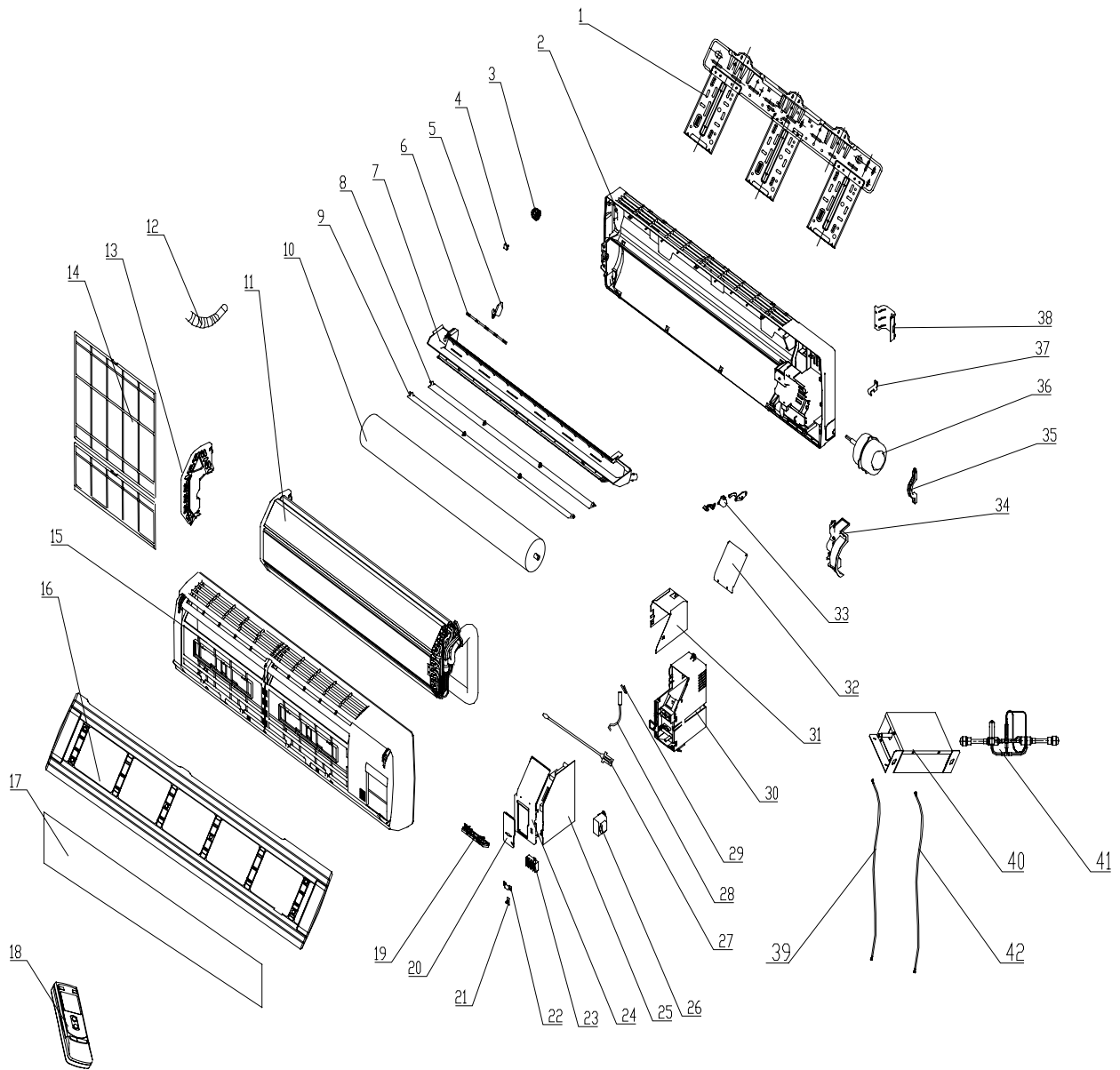
No.	Model	GMV-R22G/NaC-K	GMV-R28G/NaC-K	Qty.
	Product Code	EM100N0270	EM100N0290	
	Part Name	Part Code	Part Code	
1	Wall Mounting Frame	01252220	01252220	1
2	Rear Case	222020012	222020012	1
3	Evaporator Assy	0100462801	0100462801	1
4	Cross Flow Fan	10352001	10352001	1
5	Bearing Gasket	/	/	1
6	Drain Pipe	0523001401	0523001401	1
7	Drain Pan	201820272	201820272	1
8	Air Louver	10512080	10512080	1
9	Swing Lever	10582002	10582002	1
10	Swing Lever	10582003	10582003	1
11	Front Case	200024442	200024442	1
12	Screw Cap	24252006	24252006	3
13	Filter	11122002	11122002	2
14	Remote Control Y512	305125063	305125063	1
15	Display Board	30567016	30567016	1
16	Front Panel	20002522	20002522	1
17	Guide Louver	10512034	10512034	1
18	Guide Louver	10512033	10512033	1
19	Stepping Motor	15212110	15212110	1
20	Motor Press Plate	26112014	26112014	1
21	Fan Motor	150121081	150121081	1
22	Electric Box Cover	22242030	22242030	1
23	4-Position Terminal Board	42011233	42011233	1
24	Electric Box Cover	201220061	201220061	1
25	Electric Box	20102178	20102178	1
26	Main PCB	30226097	30226097	1
27	Transformer	43110226	43110226	1
28	Fixed Clamp	71010103	71010103	1
29	Pipe Clamp	24242001	24242001	1
30	Connecting Wire(communicate)	4001039509	4001039509	1

Exploded View of GMV(L)-R36G/NaC-K,GMV(L)-R45G/NaC-K.



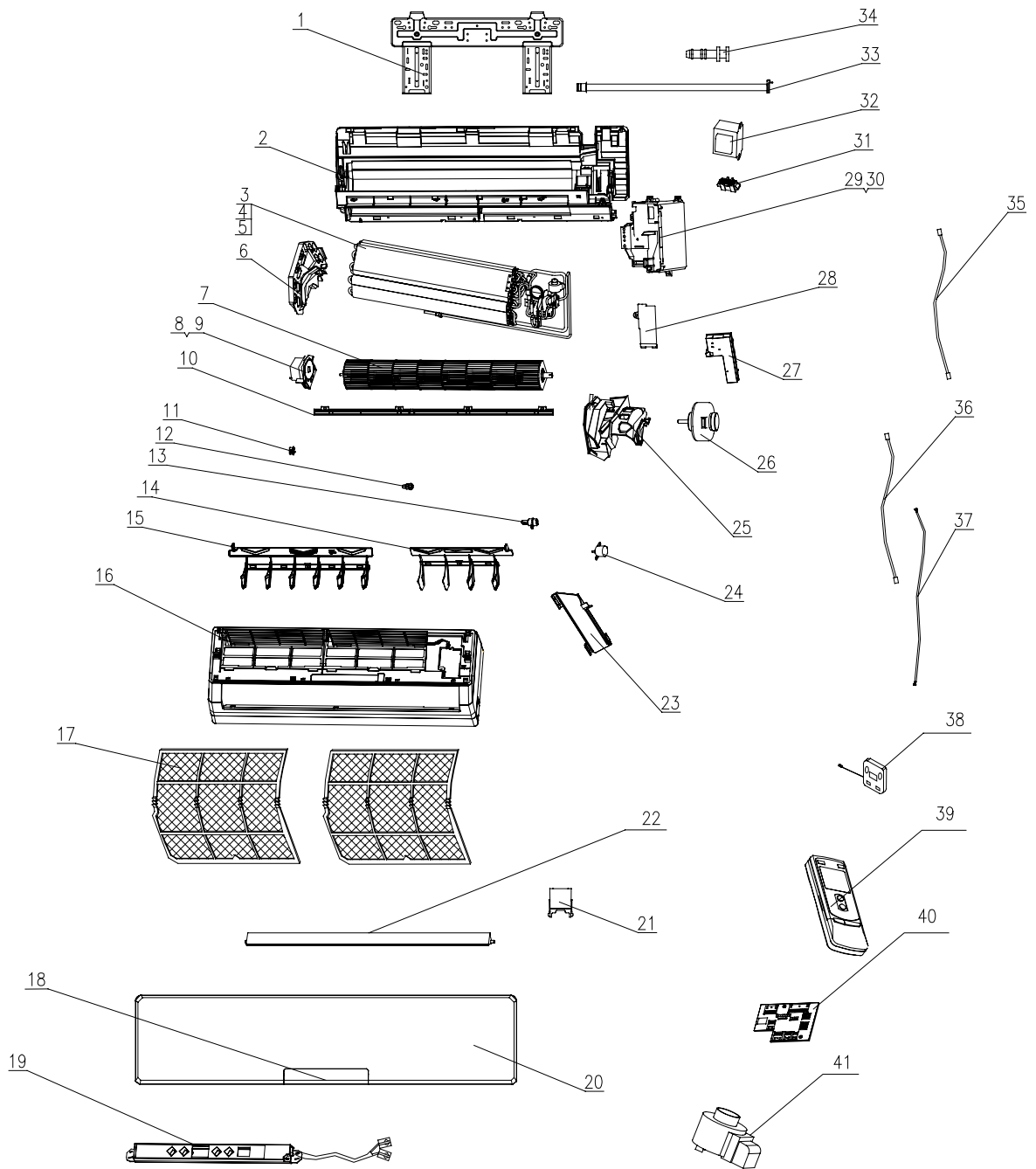
No.	Model	GMV-R36G/NaC-K	GMV-R45G/NaC-K	Qty.
	Product Code	EM100N0310	EM100N0330	
	Part Name	Part Code	Part Code	
1	Wall Mounting Frame	01252384	01252384	1
2	Rear Case Sub-Assy	22202051	22202051	1
3	Evaporator Assy	01004629	01004629	1
4	Cross Flow Fan	10352005	10352005	1
5	Bearing Gasket	26152423	26152423	1
6	Drain Pipe	0523001401	0523001401	1
7	Drain Pan	20182030	20182030	1
8	Air Louver	10512041	10512041	12
9	Swing Lever	10582439	10582439	1
10	Front Case	200025253	200025253	1
11	Screw Cap	24252007	24252007	3
12	Filter	11122440	11122440	2
13	Remote Control Y512	305125063	305125063	1
14	Display Board	30542072	30542072	1
15	Front Panel	20002524	20002524	1
16	Lower Guide Louver	26112043	26112043	1
17	Upper Guide Louver	26112042	26112042	1
18	Stepping Motor	15212105	15212105	1
19	Motor Right Clamp	26112429	26112429	1
20	Motor FN22G	150120623	150120623	1
21	Electric Box Cover	22242017	22242017	1
22	4-Position Terminal Board	42011233	42011233	1
23	Covering Plate	20102119	20102119	1
24	Electric Box	20102108	20102108	1
25	Main PCB	30226100	30226100	1
26	Transformer	43110226	43110226	1
27	Fixed Clamp	71010103	71010103	1
28	Rear Clamp	26112430	26112430	1
29	Connecting Wire(communicate)	4001039509	4001039509	1

Exploded View of GMV(L)-R71G/Na-K, GMV(L)-R80G/Na-K .



NO.	Model	GMV-R71G/Na-K	GMV-R80G/Na-K	Qty.
	Product Code	CM100N0030	CM100N0080	
	Part Name	Part Code	Part Code	
1	Wall-Mounting Frame	01252398	01252398	1
2	Rear Case	22202091	22202091	1
3	Fan Bearing	76512203	76512203	1
4	Screw Cover	242520053	242520053	3
5	Swing Louver	10512110	10512110	15
6	Swing Link	10582040	10582040	3
7	Drain Pan	20182043	20182043	1
8	Guide Louver(up)	10512062	10512062	1
9	Guide Louver(down)	10512063	10512063	1
10	Cross Flow Fan	10352420	10352420	1
11	Evaporator Assy	01024112	01024112	1
12	Drainage Pipe	0523001403	0523001403	1
13	Evaporator Support(left)	24212041	24212041	1
14	Filter	11122051	11122051	2
15	Front Case	26904107	26904107	1
16	Front Panel	20002698	20002698	1
17	Front Panel A	22432258	22432258	1
18	Remote Controller Y512	305125063	305125063	1
19	Receiver Board JD	30046093	30046093	1
20	Electric Box Cover	20102252	20102252	1
21	Switch Lever	10582007	10582007	1
22	Wire Clamp	71010103	71010103	1
23	Terminal Board T4B3A	42011233	42011233	1
24	Electric Box Cover	201022513	201022513	1
25	Main PCB	30226420	30226420	1
26	Transformer 48X26G	43110233	43110233	1
27	Room Sensor	3900019813	3900019813	1
28	Tube Sensor	3900019814G	3900019814	1
		3900019815G	3900019815	1
		3900019816G	3900019816	1
29	Sensor Insert	42020063	42020063	3
30	Electric Box	20102250	20102250	1
31	Lower Shielding Box Cover	01592034	01592034	1
32	Upper Shielding Box Cover	01592033	01592033	1
33	Stepping Motor MP24GA	15212102	15212102	1
34	Evaporator Support (rihgt)	2421204201	2421204201	1
35	Motor Clamp	26112069	26112069	1
36	Motor FN26D	150121053	150121053	1
37	Fixer(evaporator)	02112009	02112009	1
38	Pipe Clamp	26112071	26112071	1
39	Signal Cable	4001039509	4001039509	1
40	Mounting Plate Sub-Assy	01324110P	01324110P	1
41	EXV Sub-Assy	07334255	07334255	1
42	Connecting Wire	40010267	40010267	1

Exploded View of GMV(L)-R22G/NaG-K,GMV(L)-R28G/NaG-K .

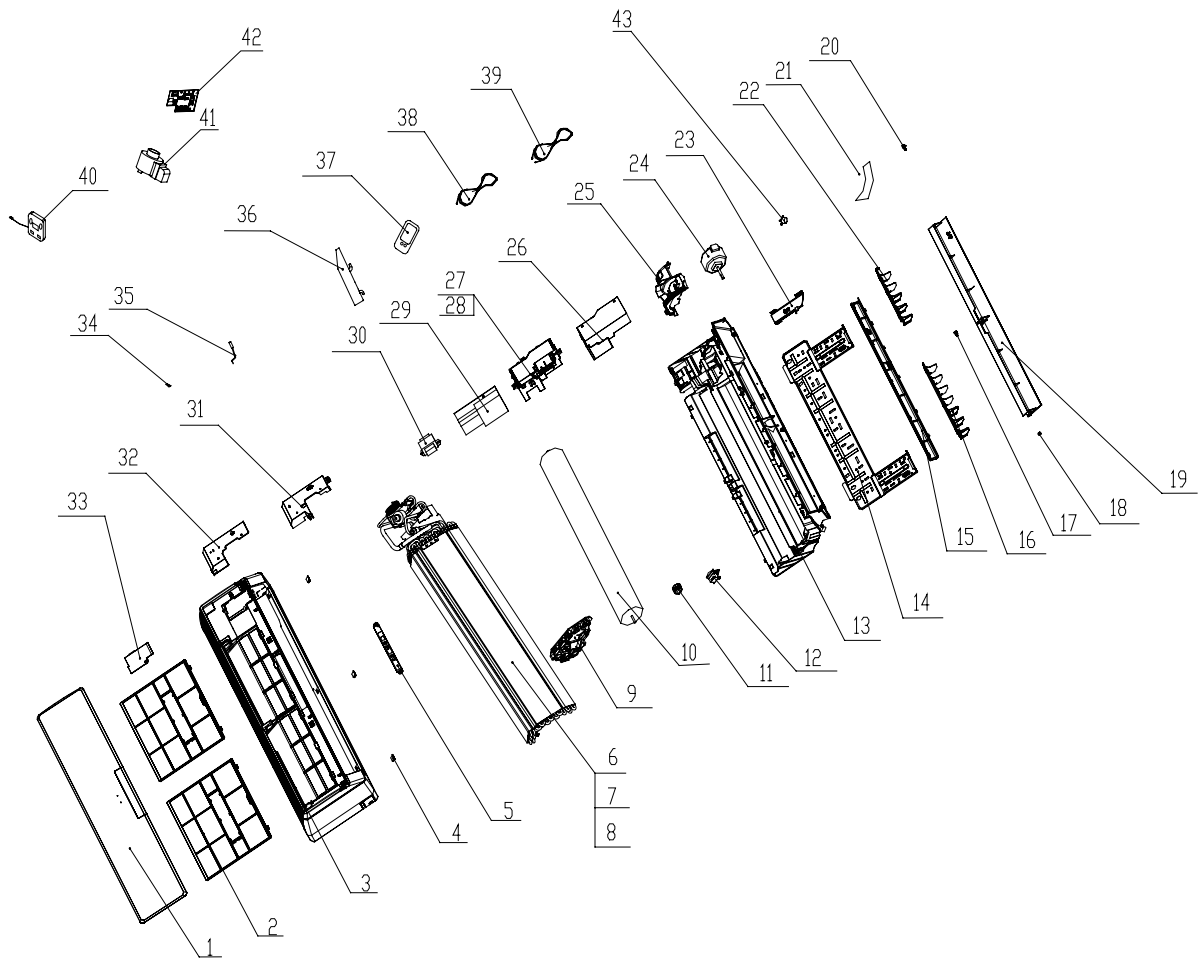


NO.	Model	GMV-R22G/NaG-K	GMV-R28G/NaG-K	Qty.
	Product Code	CM100N0220	CM100N0240	
	Part Name	Part Code	Part Code	
1	Wall-Mounting Frame	01252021	01252021	1
2	Bottom Case Assy	26904260	26904260	1
3	Evaporator Assy	01024249	01024249	1
4	Electronic Expansion Valve Assy	07334373	07334373	1
5	Electronic Expansion Valve	07334281	07334281	1
6	Evaporator Support	24212091	24212091	1
7	Cross Flow Fan	10454101	10454101	1
8	Gasket Seat	26152022	26152022	1
9	Bearing Gasket	76512203	76512203	1
10	Volute Tougue	26112163	26112163	1
11	Left Bearing Bush	10512037	10512037	1
12	Crankshaft	10582070	10582070	1
13	Bearing Bush	10542008	10542008	1
14	Air Louver 1	10512156	10512156	1
15	Air Louver 2	10512155	10512155	1
16	Front Case Sub-Assy	20012139	20012139	1
17	Filter Sub-Assy	1112220401	1112220401	2
18	Receiver Window	22432230	22432230	1
19	Receiver Board D5183	30565007	30565007	1
20	Front Panel	20012122S	20012122S	1
21	Screw Cover	24252016	24252016	1
22	Guide Louver	10512157	10512157	1
23	Pipe Clamp	26112164	26112164	1
24	Stepping Motor	1521212901	1521212901	1
25	Motor Press Plate	26112161	26112161	1
26	Fan Motor	150120874	150120874	1
27	Electric Box Cover 1	20122103	20122103	1
28	Electric Box Cover 2	2012207506	2012207506	1
29	Electric Box Assy	① 01395015	① 01395015	1
		② 01395094	② 01395094	1
30	Main PCB Z6N35A	① 30226326	① 30226326	1
		② 30226236	② 30226236	1
31	Jumpor	4202300121	4202300121	1
32	Transformer 48X26F	43110226	43110226	1
33	Drainage Hose	0523001401	0523001401	1
34	Rubber Plug	76712012	76712012	1
35	Power Cord	4002048710	4002048710	1
36	Signal Wire	4001039509	4001039509	1
37	Signal Wire	40010232	40010232	1
38	Display Board	30565007	30565007	1
39	Remote Controller	30510041	30510041	1
40	Switch Board	30118018	30118018	1
41	Electronic Expansion Valve Coil	4304000102	4304000102	1

Note:

- ① is only applicable to GMV-R22G/NaG-K,GMV-R28G/NaG-K.
- ② is only applicable to GMVL-R22G/NaG-K,GMV-R28G/NaG-K.

Exploded View of GMV(L)-R36G/NaG-K, GMV(L)-R45G/NaG-K, GMV(L)-R50G/NaG-K.



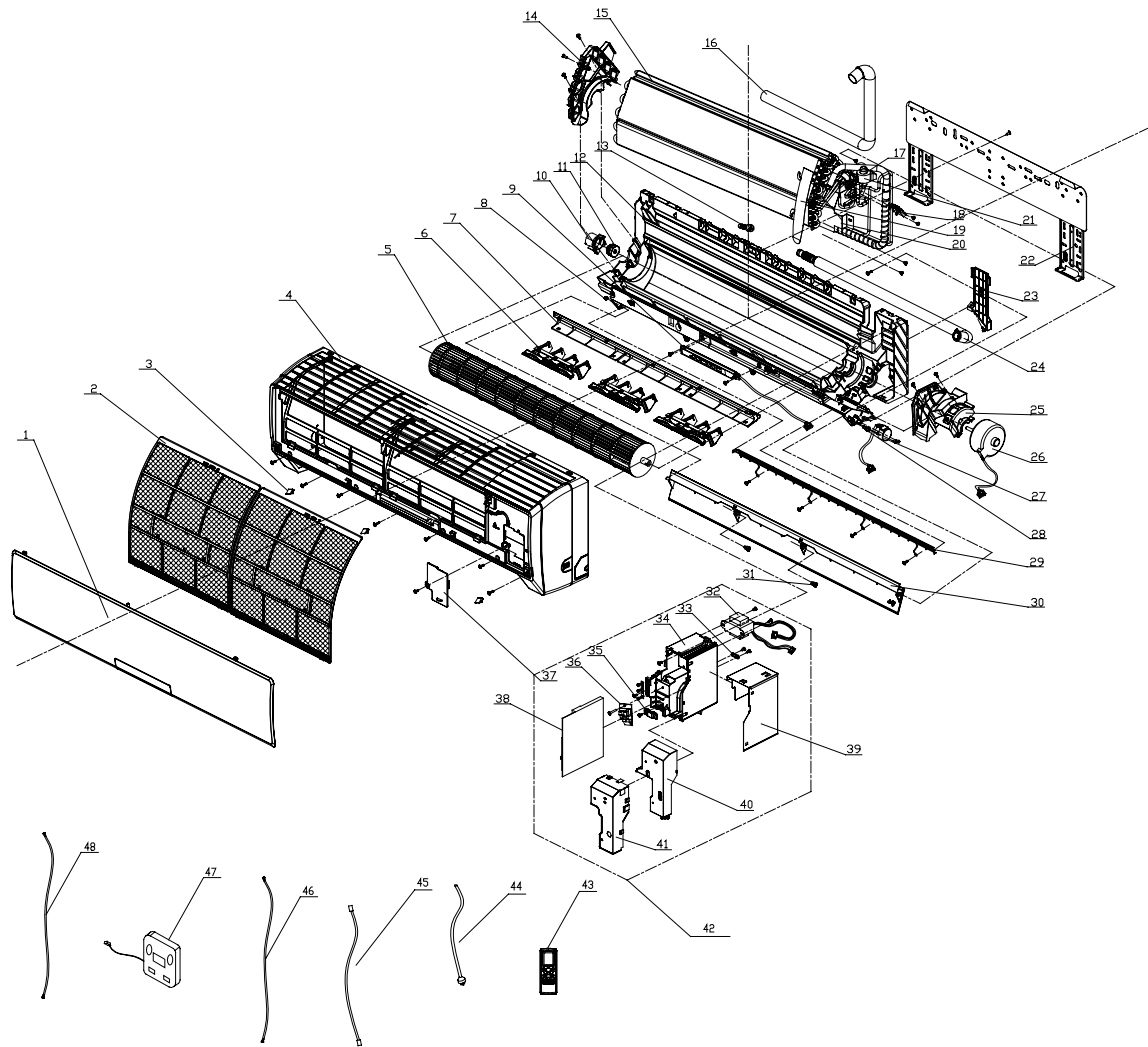
NO.	Model	GMV-R36G/NaG-K	GMV-R45G/NaG-K	GMV-R50G/NaG-K	Qty.
	Product Code	CM100N0270	CM100N0280	CM100N0260	
	Part Name	Part Code	Part Code	Part Code	
1	Front Panel Case	20012260	20012260	20012260	1
2	Filter	11120011	11120011	11120011	1
3	Front Panel Assy	20012288	20012288	20012288	1
4	Screw Cover	24252016	24252016	24252016	3
5	Display Board	30565038	30565038	30565038	1
6	Evaporator Assy	01024250	01024250	01024250	1
7	Electronic Expansion Valve Assy	07334374	07334374	07334374	1
8	Electronic Expansion Valve	07334283	07334283	07334283	1
9	Evaporator Support	24212100	24212100	24212100	1
10	Cross Flow Fan	10454102	10454102	10454102	1
11	Bearing Gasket	76512203	76512203	76512203	1
12	Gasket Seat	26152022	26152022	26152022	1
13	Rear Case	26904259	26904259	26904259	1
14	Wall-Mounting Frame	01252218	01252218	01252218	1
15	Volute Tougue	26112164	26112164	26112164	1
16	Air Louver	10512116	10512116	10512116	1
17	Bearing Bush	10542008	10542008	10542008	1
18	Left Bearing Bush	10512037	10512037	10512037	1
19	Guide Louver	10512115	10512115	10512115	1
20	Crankshaftshaft	10582070	10582070	10582070	1
21	Drainage Pipe	05230014	05230014	05230014	1
22	Air Louver	10512117	10512117	10512117	1
23	Pipe Clamp	26112164	26112164	26112164	1
24	Motor	15012116	15012116	15012116	1
25	Motor Press Plate	26112164	26112164	26112164	1
26	Lower Shielding Box Cover	01592091	01592091	01592091	1
27	Electric Box Assy	① 01394970	① 01394970	① 01394970	1
		② 01395095	② 01395095	② 01395095	1
28	Electric Box	2011210803	2011210803	2011210803	1
29	Main PCB	① 30226330	① 30226330	① 30226330	1
		② 30226238	② 30226238	② 30226238	1
30	Transformer	43110237	43110237	43110237	1
31	Electric Box Cover	20122128	20122128	20122128	1
32	Upper Shielding Box Cover	01592092	01592092	01592092	1
33	Electric Box Cover	2011208104	2011208104	2011208104	1
34	Sensor Insert	42020063	42020063	42020063	1
35	Tube Sensor	39008049G	39008049G	39008049G	1
36	Baffle Plate	76712012	76912106	76912106	1
37	Remote Controller	30510041	30510041	30510041	1
38	Power Cord	4002048710	4002048710	4002048710	1
39	Signal Wire	4001039509	4001039509	4001039509	1
40	Display Board	30565038	30565038	30565038	1
41	Electronic Expansion Valve Coil	4304000102	4304000102	4304000102	1
42	Switch Board	30118018	30118018	30118018	1
43	Stepping Motor	15012086	15012086	15012086	1

Note:

① is only applicable to GMV-R36G/NaG-K,GMV-R45G/NaG-K,GMV-R50G/NaG-K.

② is only applicable to GMVL-R36G/NaG-K,GMVL-R45G/NaG-K,GMVL-R50G/NaG-K.

Exploded View of GMV(L)-R56G/NaG-K, GMV(L)-R63G/NaG-K, GMV(L)-R71G/NaG-K.



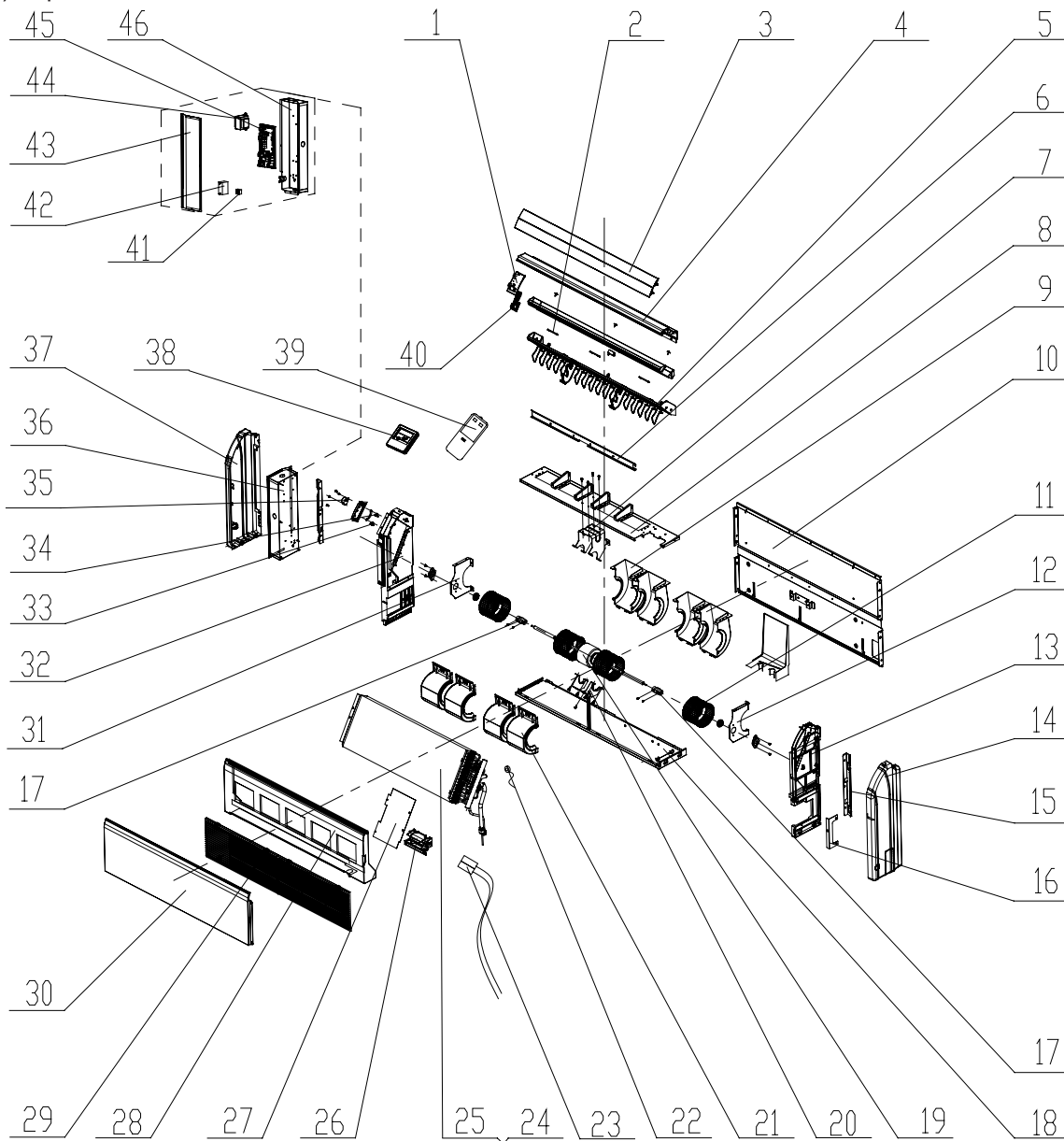
NO.	Model	GMV-R56G/NaG-K	GMV-R63G/NaG-K	GMV-R71G/NaG-K	Qty.
	Product Code	CM100N0330	CM100N0340	CM100N0320	
	Part Name	Part Code	Part Code	Part Code	
1	Front Panel Case	20012328	20012328	20012328	1
2	Filter	11120011	11120011	11120011	2
3	Screw Cover	24252016	24252016	24252016	3
4	Front Case	20012295	20012295	20012295	1
5	Cross Flow Fan	10454103	10454103	10454103	1
6	Air Louver	10512159	10512159	10512159	3
7	Volute Tougue	26112187	26112187	26112187	1
8	Left Bearing Bush	10512037	10512037	10512037	1
9	Display Board	30565038	30565038	30565038	1
10	Gasket Seat	26152025	26152025	26152025	1
11	Bearing Gasket	76512203	76512203	76512203	1
12	Bottom Case Assy	26904258	26904258	26904258	1
13	Water-Tray Drainplug	76712012	76712012	76712012	1
14	Evaporator Support	24212103	24212103	24212103	1
15	Evaporator Assy	01024251	01024251	01024251	1
16	Thermal Insulation Tube	75080005	75080005	75080005	0.7m
17	Electric Expansion Valve Sub-Assy	07334386	07334386	07334386	1
18	Elbow Protect Board	01072493	01072493	01072493	1
19	Baffle Plate	76814104	76814104	76814104	1
20	Air Guard	01354124P	01354124P	01354124P	1
21	Electronic Expansion Valve Coil	4304000102	4304000102	4304000102	1
22	Wall-Mounting Frame	01252002	01252002	01252002	1
23	Pipe Clamp	26112188	26112188	26112188	1
24	Drainage Pipe	0523001405	0523001405	0523001405	1
25	Motor Clamp	26112184	26112184	26112184	1
26	Motor FN25A-PG	15012098	15012098	15012098	1
27	Stepping Motor MP35XX	1521300101	1521300101	1521300101	1
28	Crankshaftshaft	10582070	10582070	10582070	1
29	Filter Sub-Assy	11122091	11122091	11122091	1
30	Guide Louver	10512118	10512118	10512118	1
31	Bearing Bush	10542008	10542008	10542008	2
32	Transformer 57X25C	43110237	43110237	43110237	1
33	Wire Retaining Band	26112181	26112181	26112181	1
34	Electric Box	① 2011210803	① 2011210803	① 2011210803	1
		② 20112108	② 20112108	② 20112108	1
35	Wire Clamp	71012064	71012064	71012064	1
36	Switch Board	30118018	30118018	30118018	1
37	Electric Box Cover 2	2011208104	2011208104	2011208104	1
38	Main PCB	① 30226256	① 30226256	① 30226256	1
		② 30226255	② 30226255	② 30226255	1
39	Lower Shielding Box Cover	01592091	01592091	01592091	1
40	Electric Box Cover 1	20122128	20122128	20122128	1
41	Upper Shielding Box Cover	01592092	01592092	01592092	1
42	Electric Box Assy	① 01395068	① 01395068	① 01395068	1
		② 01395096	② 01395096	② 01395096	1
43	Remote Controller YB1FA	30510041	30510041	30510041	1
44	Power Cord	4002048710	4002048710	4002048710	1
45	Connecting Cable	40010232	40010232	40010232	1
46	Connecting Cable	4001039509	4001039509	4001039509	1
47	Display Board	30565038	30565038	30565038	1
48	Sensor Sub-Assy	39008049	39008049	39008049	1

Note:

- ① is only applicable to GMV-R56G/NaG-K,GMV-R63G/NaG-K,GMV-R71G/NaG-K.
- ② is only applicable to GMVL-R56G/NaG-K,GMVL-R63G/NaG-K,GMVL-R71G/NaG-K.

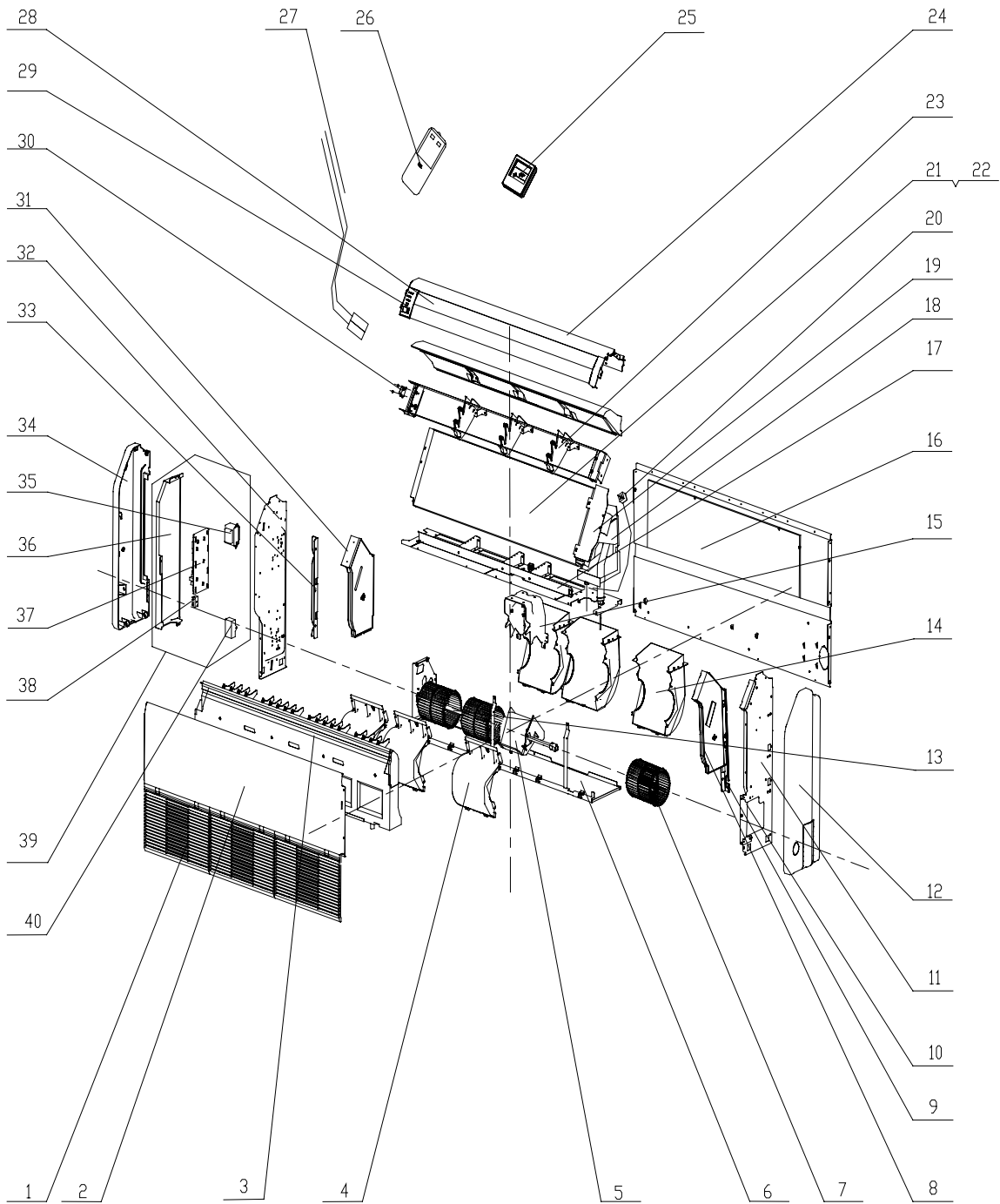
5.4 Floor Ceiling Type

(1) Exploded View of GMV-R28Zd/NaB-K,GMV-R36Zd/NaB-K,GMV-R50Zd/NaB-K.



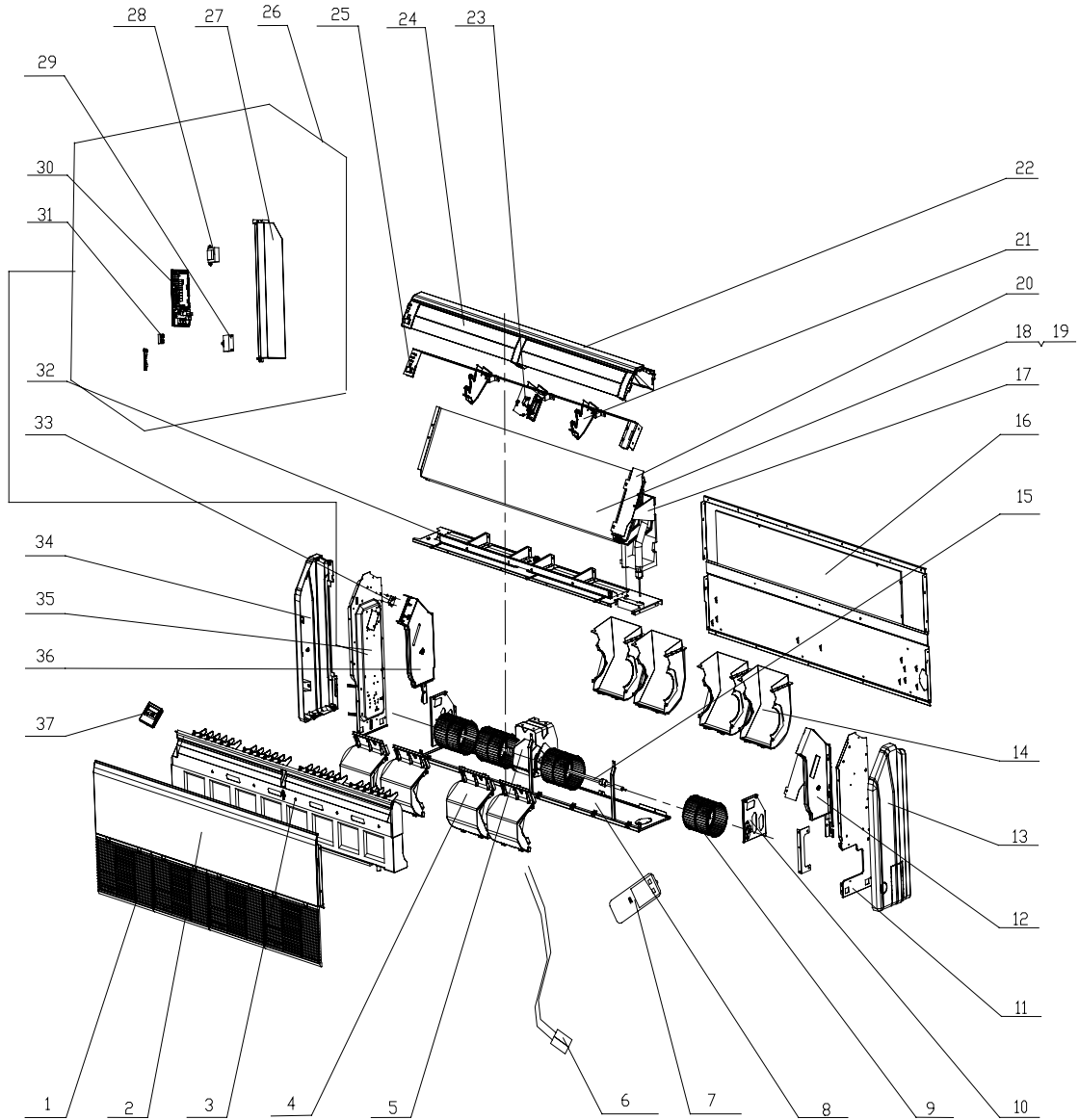
No.	Model	GMV-R28Zd/NaB-K	GMV-R36Zd/NaB-K	GMV-R50Zd/NaB-K	Qty.
	Product Code	CM600N0170	CM600N0180	CM600N0190	
	Part Name	Part Code	Part Code	Part Code	
1	Fixed Mount	26909426R	26909426R	26909426R	1
2	Louver Clamp	26112127	26112127	26112127	2
3	Guide Louver	10619403	10619403	10619403	2
4	Front Connecting Plate	01349414P	01349414P	01349414P	1
5	Base Frame	26909448	26909448	26909448	1
6	Air Deflector Sub-Assy	02229418	02229418	02229418	1
7	Supporter	01805288	01805288	01805288	1
8	Mid-Clapboard Sub-Assy	01249416	01249416	01249416	1
9	Front Volute Casing	26905205	26905205	26905205	4
10	Rear Side Plate Assy	01319430	01319430	01319430	1
11	Centrifugal Fan	10425200	10425200	10425200	4
12	Support 1	01809417	01809417	01809417	1
13	Right Side Plate Sub-Assy	01319429	01319429	10319429	1
14	Right Cover Plate	26909444	26909444	26909444	1
15	Installation Supporting Frame	01809402	01809402	01809402	1
16	Connection Board	02229406	02229406	02229406	1
17	Joint Slack	73018731	73018731	73018731	2
18	Rear Connecting Plate	01349416	01349416	01349416	1
19	Fan Motor	1570940901	1570940901	15704111	1
20	Bar Clasp Sub-Assy	70815201	70815201	70815201	1
21	Rear Volute Casing	26905206	26905206	26905206	4
22	Electronic Expansion Valve Coil	4304000101	4304000101	4304000101	1
23	Sensor Sub-Assy	39008073	39008073	39008073	1
24	Evaporator Assy	01024294	01024298	01024293	1
25	Electronic Expansion Valve	07334281	07334281	07334281	1
26	Press Plate	26909442	26909442	26909442	1
27	Connection Board	01344115	01344115	01344115	1
28	Drain Pan Assy	01289404	01289404	01289404	1
29	Front Grill Sub-Assy	01579403	01579403	01579403	2
30	Top Cover Plate Sub-Assy	01269409	01269409	01269409	1
31	Support 2	01809418	01809418	01809418	1
32	Left Side Plate Sub-Assy	0131942801	0131942801	0131942801	1
33	Rotating Shaft	26909412	26909412	26909412	1
34	Rotating Shaft	26909413	26909413	26909413	1
35	Step Motor	1521240206	1521240206	1521240206	1
36	Electric Box Assy	01395152	01395152	01395140	1
37	Left Cover Plate	26909443	26909443	26909443	1
38	Display Board	30296309	30296309	30296309	1
39	Remote Controller	30510041	30510041	30510041	1
40	Display Board	30294220	30294220	30294220	1
41	Terminal Board	42011106	42011106	42011106	1
42	Capacitor CBB61	33010089	33010089	33010026	1
43	Electric Box Cover	01429420	01429420	01429420	1
44	Transformer	4311023701	4311023701	4311023701	1
45	Main Board	30226910	30226910	30226910	1
46	Electric Box	01429419	01429419	01429419	1

(2) Exploded View of GMV-R71Zd/NaB-K,GMV-R90Zd/NaB-K.



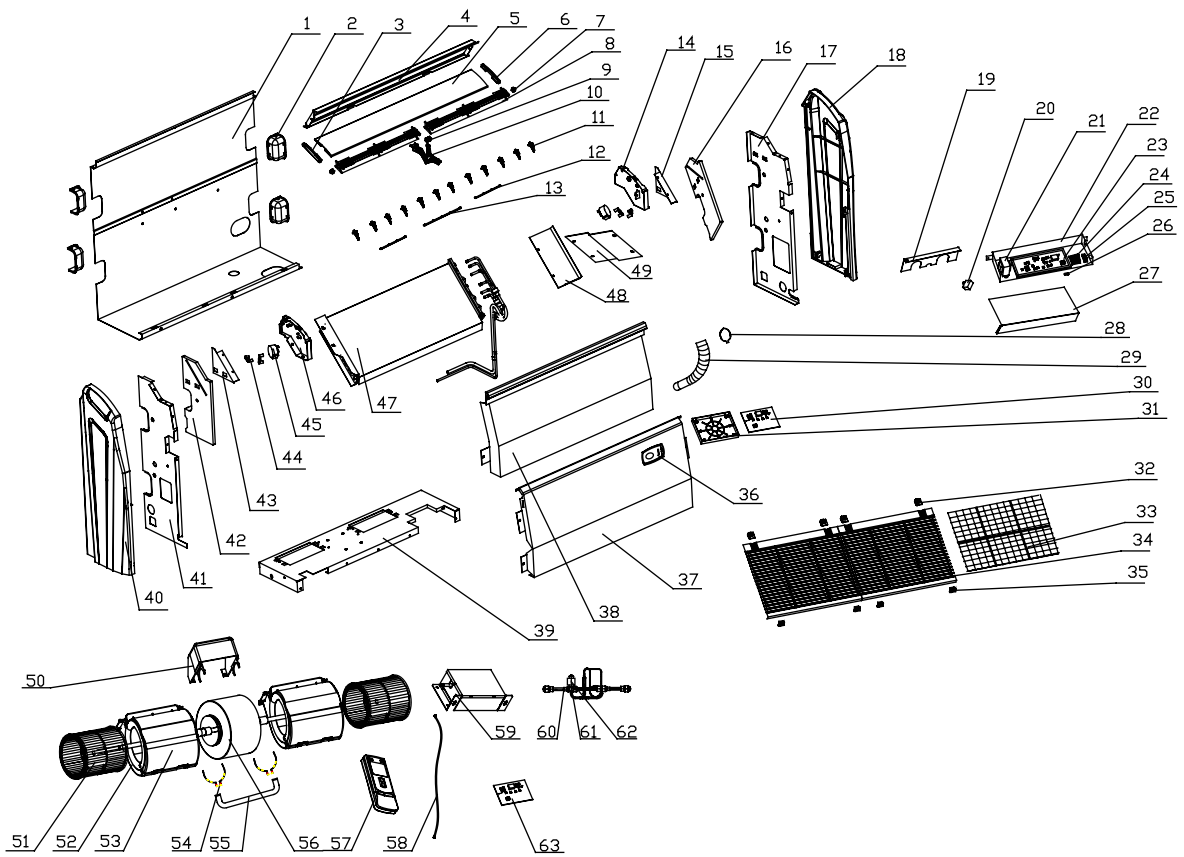
No.	Model	GMV-R71Zd/NaB-K	GMV-R90Zd/NaB-K	Qty.
	Product Code	CM600N0200	CM600N0210	
	Part Name	Part Code	Part Code	
1	Front Grille	26909434	26909434	1
2	Top Cover Plate Sub-Assy	01269405	01269405	1
3	Drain Pan Assy	01289403	01289403	1
4	Front Volute Casing	26905208	26905208	3
5	Fan Motor	15709408	15709407	1
6	Rear Connection Board	01349410	01349410	1
7	Centrifugal Fan	1041410101	1041410101	3
8	Right Foam Sub-Assy	12509412	12509412	1
9	Installing Support	01809402	01809402	1
10	Connection Board	02229406	02229406	1
11	Right Side Plate Sub-Assy	01319408	01319408	1
12	Right Cover Plate	26909422	26909422	1
13	Rotary Shaft Sub-Assy	73018052	73018052	1
14	Rear Volute Casing	26909419	26909419	3
15	Mounting Plate Sub-Assy	01329406	01329406	1
16	Rear Side Plate Assy	0131941901	0131941901	1
17	Mid-Clapboard Assy	01249407	0124940501	1
18	Water Deflector	02224151P	02224151P	1
19	Connected Board	01344108	01344108	1
20	Electronic Expansion Valve Coil	4304000103	4304413202	1
21	Evaporator Assy	0102428401	01024284	1
22	Electronic Expansion Valve	07334283	07334389	1
23	Suppor	26909409	26909409	3
24	Front Connection Board	01349408P	01349408P	1
25	Display Board Sub-Assy	0222940501	0222940501	1
26	Remote Controller	30510041	30510041	1
27	Sensor Sub-Assy	39008057G	39008057G	1
28	Guide Louver	26909432	26909432	2
29	Display Board	30296309	30296309	1
30	Stepping Motor	1521240206	1521240206	1
31	Left Foam Sub-Assy	12509409	12509409	1
32	Left Side Plate Assy	01319406	01319406	1
33	Installing Support	01809401	01809401	1
34	Left Cover Plate	26909416	26909416	1
35	Transformer	4311023701	4311023701	1
36	Electric Box cover	01429410P	01429410P	1
37	Main Board	30226910	30226910	1
38	Terminal Board	42011106	42011106	1
39	Electric Box Assy	01395131	01395076	1
40	Capacitor	33010011	33010014	1

(3) Exploded View of GMV-R112Zd/NaB-K,GMV-R125Zd/NaB-K.



No.	Model	GMV-R112Zd/NaB-K	GMV-R125Zd/NaB-K	GMV-R140Zd/NaB-K	Qty.
	Product Code	CM600N0220	CM600N0160	CM600N0310	
	Part Name	Part Code	Part Code	Part Code	
1	Front Grille	26909425	26909425	26909425	1
2	Top Cover Plate Sub-Assy	01269403	01269403	01269403	1
3	Drain Pan Assy	01289401	01289401	01289401	1
4	Front Volute Casing	26905208	26905208	26905208	4
5	Fan Motor	15709405	15709405	15709405	1
6	Sensor Sub-Assy	39008057G	39008057G	39008057G	1
7	Remote Controller	30510041	30510041	30510041	1
8	Rear Connection Board	01349411	01349411	01349411	1
9	Centrifugal Fan	1041410101	1041410101	1041410101	4
10	Suppor	01809404	01809404	01809404	1
11	Right Side Plate Sub-Assy	01319408	01319408	01319408	1
12	Right Foam Sub-Assy	12509412	12509412	12509412	1
13	Right Cover Plate	26909422	26909422	26909422	1
14	Rear Volute Casing	26909419	26909419	26909419	4
15	Rotary Shaft	26909413	26909413	26909413	1
16	Rear Side Plate Assy	01319422	01319422	01319422	1
17	Water Deflector Sub-Assy	02224151P	02224151P	02224151P	1
18	Evaporator Assy	01024255	01024270	01024270	1
19	Electronic Expansion Valve	07334389	07334389	07334389	1
20	Connected Board	01344108	01344108	01344108	1
21	Suppor	26909410	26909410	26909410	1
22	Front Connection Board	01349404P	01349404P	01349404P	1
23	Stepping Motor	1521240201	1521240201	1521240201	1
24	Guide Louver	26909408	26909408	26909408	4
25	Display Board	30294220	30294220	30294220	1
26	Electric Box Assy	01395076	01395076	01395076	1
27	Electric Box cover	01429410P	01429410P	01429410P	1
28	Transformer	4311023701	4311023701	4311023701	1
29	Capacitor	33010014	33010014	33010014	1
30	Main Board	30226910	30226910	30226910	1
31	Terminal	42011106	42011106	42011106	1
32	Mid-Clapboard Assy	0124940101	0124940101	0124940101	1
33	Stepping Motor	1521240206	1521240206	1521240206	1
34	Left Cover Plate	26909416	26909416	26909416	1
35	Left Side Plate Assy	01319406	01319406	01319406	1
36	Left Foam Sub-Assy	12509409	12509409	12509409	1
37	Display Board	30296309	30296309	30296309	1

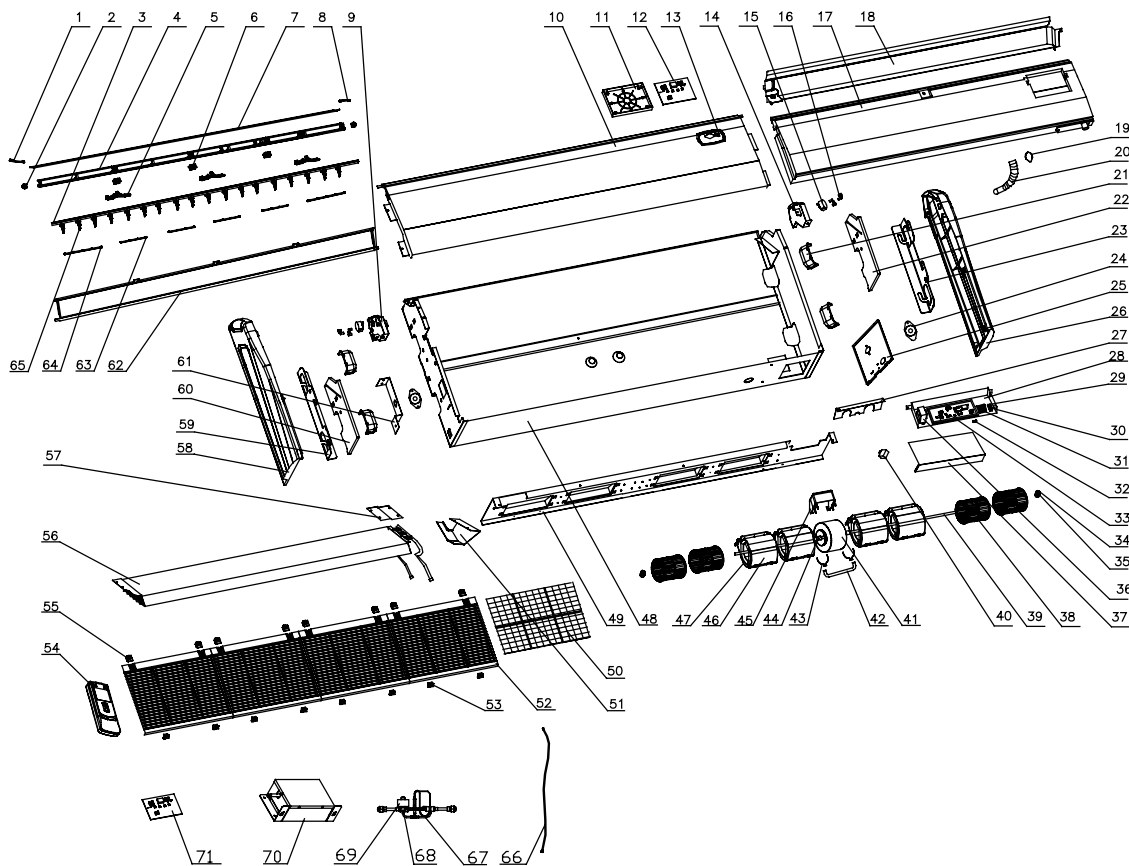
(4) Exploded View of GMV(L)-R28Zd/Na-K,GMV(L)-R36Zd/Na-K,GMV(L)-R50Zd/Na-K.



No.	Model	GMV-R28Zd/Na-K	GMV-R36Zd/Na-K	GMV-R50Zd/Na-K	Qty.
	Product Code	EM600N0060	EM600N0070	EM600N0010	
	Part Name	Part Code	Part Code	Part Code	
1	Rear Side Plate	01302013	01302013	01302013	1
2	Handle	26232001	26232001	26232001	4
3	Left Decoration Plate	261124152	261124152	261124152	1
4	Rear Side Plate of Air Outlet	0130201501	0130201501	0130201501	1
5	Louver	1051953202	1051953202	1051953202	1
6	Right Decoration Plate	261124162	261124162	261124162	1
7	Shaft of Louver II	10512026	10512026	10512026	2
8	Louver Support	24212019	24212019	24212019	2
9	Shaft of Louver I	10512025	10512025	10512025	1
10	Louver Fixer	24212018	24212018	24212018	1
11	Swing Louver	10512027	10512027	10512027	12
12	Connecting Lever	10582009	10582009	10582009	1
13	Connecting Lever	10582008	10582008	10582008	2
14	Right Swing Motor Fixer	26152006	26152006	26152006	1
15	Right Fixing Plate of Evaporator	01072411	01072411	01072411	1
16	Right Side Foam Sub-Assy	12312404	12312404	12312404	1
17	Right Fixing Plate	01332404	01332404	01332404	1
18	Right Decoration Panel	26112027	26112027	26112027	1
19	Press Plate	0107243701	0107243701	0107243701	1
20	Capacitor 1uF/500V	33010089	33010089	33010089	1
21	Transformer 57X25C	43110237	43110237	43110237	1
22	Electric Box	01402407	01402407	01402407	1
23	Main PCB Z6935	30226903	30226903	30226903	1
24	Terminal Board RS9413G	42011159	42011159	42011159	1
25	Wire Barrel	24253001	24253001	24253001	1
26	Wire Clamp	24253002	24253002	24253002	1
27	Cover of Electric Box	01412408	01412408	01412408	1
28	Pipe Clip	70812001	70812001	70812001	1
29	Drainage Hose	2690320401	2690320401	2690320401	1
30	Display Board 5T52	30545654	30545654	30545654	1
31	Electric Box	20102138	20102138	20102138	1
32	Front Grill Clip 1	26252002	26252002	26252002	4
33	Filter	11122013	11122013	11122013	2
34	Front Grill	22412010	22412010	22412010	2
35	Front Grill Clip 2	26252003	26252003	26252003	4
36	Front Panel	01544106	01544106	01544106	1
37	Front Panel	01532001P	01532001P	01532001P	1
38	Drain Pan Panel	01272205P	01272205P	01272205P	1
39	Motor Support	01709532	01709532	01709532	1
40	Left Decoration Panel	26112028	26112028	26112028	1

41	Left Fixing Plate	01332405	01332405	01332405	1
42	Left Side Plate Sub-Assy	01302138	01302138	01302138	1
43	Left Fixing Plate of Evaporator	01072410	01072410	01072410	1
44	Motor Clamp	26112026	26112026	26112026	4
45	Step Motor MP35CA	15212402	15212402	15212402	2
46	Left Swing Motor Fixer	26152005	26152005	26152005	1
47	Evaporator Assy	01024134	01024135	01024121	1
48	Water Deflector	01362001	01362001	01362001	1
49	Cover of Evaporator	01072409	01072409	01072409	1
50	Fixed Mount	01708763	01708763	01708763	1
51	Centrifugal Fan	10312401	10312401	10312401	2
52	Rear Volute Casing	22202032	22202032	22202032	2
53	Front Volute Casing	22202031	22202031	22202031	2
54	Bar Clasp	70819522	70819522	70819522	4
55	Hoop	70819521	70819521	70819521	1
56	Motor	15707302	15707302	157073024	1
57	Remote Controller	305125063	305125063	305125063	1
58	Signal Cable	400103953	400103953	400103953	1
59	Mounting Plate Sub-Assy	01324110P	01324110P	01324110P	1
60	EXV Sub-Assy	07334258	07334258	07334258	1
61	EXV SPF-16D70	07334191	07334191	07334191	1
62	Electronic Expansion Valve Coil	430001087	430001087	430001087	1
63	Display Board Z63351F	30296309	30296309	30296309	1

(5) Exploded View of GMV(L)-R71Zd/Na-K, GMV(L)-R90Zd/Na-K, GMV(L)-R112Zd/Na-K, GMV(L)-R125Zd/Na-K.



No.	Model	GMV-R71Zd/Na-K	GMV-R90Zd/Na-K	Qty.
	Product Code	EM600N0030	EM600N0040	
	Part Name	Part Code	Part Code	
1	Left Decoration Plate	261124172	261124152	1
2	Shaft of Louver I	10512025	10512025	3
3	Swing Louver Fixer Sub-Assy	013324232	0133241802	1
4	Louver Support	24212020	24212019	4
5	Louver Fixer	24222016	24212018	3
6	Shaft of Louver II	105124042	10512026	2
7	Louver	10512026	105124082	1
8	Right Decoration Plate	261124212	261124162	1
9	Left Swing Motor Fixer	26152007	26152005	1
10	Front Panel	01532414	01532413	1
11	Display Box	20102138	20102138	1
12	Display Board 5T52	30545654	30545654	1
13	Front Panel	01544106	01544106	1
14	Right Swing Motor Fixer	26152008	26152006	1
15	Step Motor MP35CA	15212402	15212402	2
16	Motor Clamp	26112026	26112026	4
17	Drain Pan	01272412	0127240802	1
18	Secondary Drain Pan	01272413	01272409	1
19	Pipe Clip	70812001	70812001	1
20	Drainage Pipe	2690320401	2690320401	1
21	Handle	26232001	26232001	4

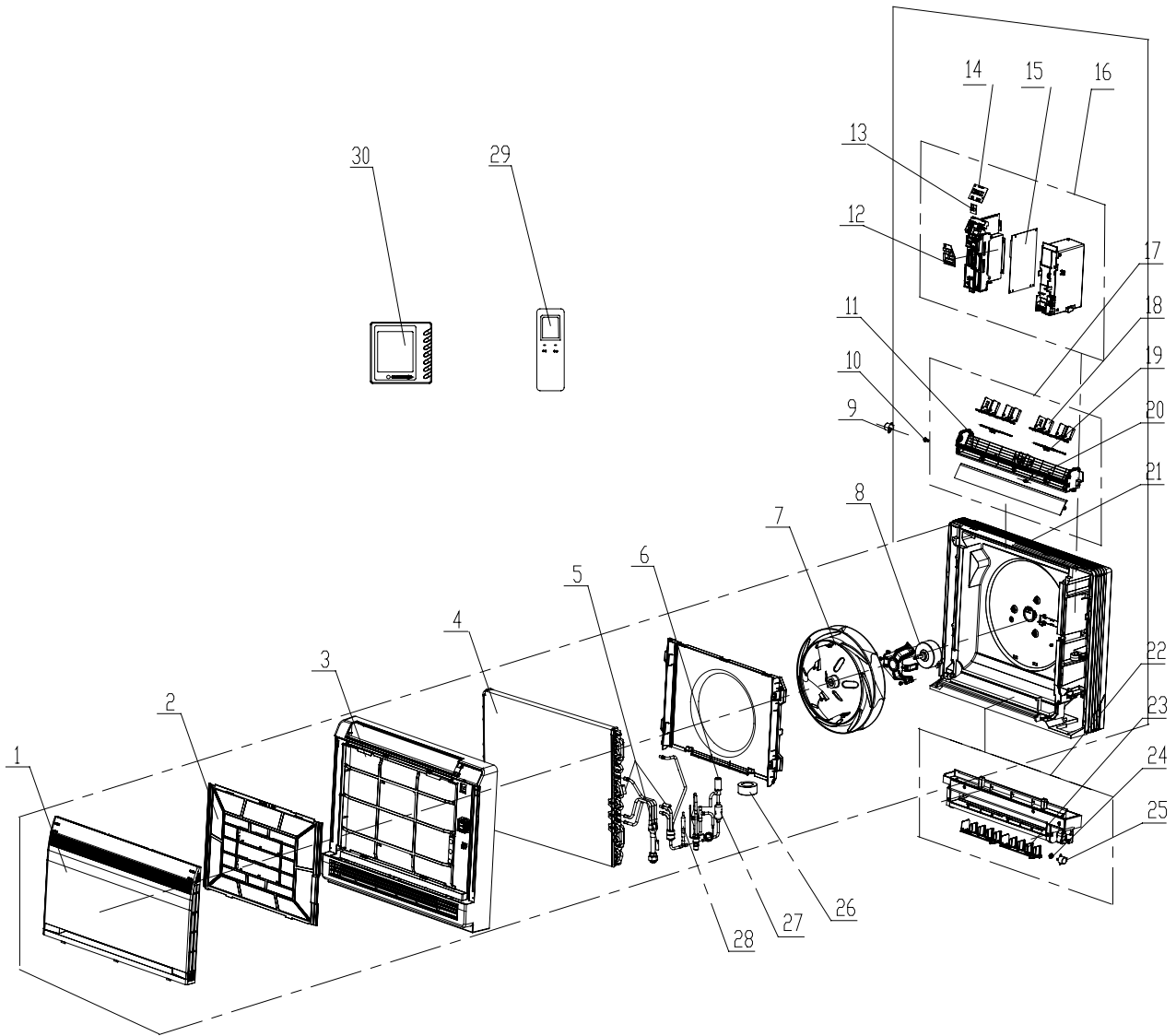
22	Right Side Foam Sub-Assy	12312407	12312404	1
23	Right Fixing Palte	01332404	01332404	1
24	Support of Motor Bearing	01792408	01792408	2
25	Fixer of Motor Support	01792409	01792407	1
26	Right Decoration Panel	26112033	26112027	1
27	Pipe Clamp	01072424	01072425	1
28	Electric Box	01402407	01402407	1
29	Wire Barrel	24253001	24253001	1
30	Wire Clamp	24253002	24253002	1
31	Terminal Board	42011159	42011159	1
32	Fuse 5A 250VAC	46010013	46010013	1
33	Main PCB Z6935	30226903	30226903	1
34	Bearing Gasket	76512404	76512404	2
35	Fan Bearing	76512210	76512210	1
36	Transformer 57×25C	43110237	43110237	1
37	Cover of Electric Box	01412408	01412408	1
38	Centrifugal Fan	10312401	10319051	4
39	Rotary Shaft	73012401	73012402	2
40	Capacitor	33010027	33010064	1
41	Motor	15012406	15012405	1
42	Motor Fixer	01722409	01722410	1
43	Motor Clamp	01702405	01702405	2
44	Joint Slack	73012403	73012403	2
45	Motor Fixing Plate	01332426	01332425	1
46	Front Volute Casing	22202031	22202030	4
47	Rear Volute Casing	22202032	22202029	4
48	Rear Side Plate	01302429	01302431	1
49	Motor Support	01702410	01702411	1
50	Filter	11122012	11122013	1
51	Water Deflector	01362401	01362407	1
52	Front Grill	22412011	22412010	4
53	Front Grill Clip 2	26252003	26252003	8
54	Remote Controller	305125063	305125063	1
55	Evaporator Assy	26252002	01024122	1
56	Front Grill Clip 1	01024123	26252002	8
57	Cover of Evaporator	01072417	01072409	1
58	Left Decoration Panel	26112032	26112028	1
59	Left Fixing Plate	01332405	01332405	1
60	Left Side Foam Sub-Assy	12312406	12312403	1
61	Bearing Fixing Plate	01332407	01332406	1
62	Rear Side Plate of Air Outlet	01302405	01302416	1
63	Connecting Lever	10582008	10582008	2
64	Connecting Lever	10582009	10582009	4
65	Swing Louver	10512028	10512027	26
66	Signal Cable	400103953	400103953	1
67	Display Board Z63351F	07334255	30296309	1
68	EXV Sub-Assy	07334193	07334256	1
69	EXV VPF-25D*B3	430001087	07334195	1
70	Electronic Expansion Valve Coil	01324110P	43000110	1
71	Mounting Plate Sub-Assy 2	30296309	01324110P	1

No.	Model	GMV-R112Zd/Na-K	GMV-R125Zd/Na-K	Qty.
	Product Code	EM600N0050	EM600N0020	
	Part Name	Part Code	Part Code	
1	Left Decoration Plate	261124152	261124152	1
2	Shaft of Louver I	10512025	10512025	3
3	Swing Louver Fixer Sub-Assy	0133241802	0133241802	1
4	Louver Support	24212019	24212019	4
5	Louver Fixer	24212018	24212018	3
6	Shaft of Louver II	10512026	10512026	2
7	Louver	105124082	105124082	1
8	Right Decoration Plate	261124162	261124162	1
9	Left Swing Motor Fixer	26152005	26152005	1
10	Front Panel	01532413	01532413	1
11	Display Box	20102138	20102138	1
12	Display Board 5T52	30545654	30545654	1
13	Front Panel	01544106	01544106	1
14	Right Swing Motor Fixer	26152006	26152006	1
15	Step Motor MP35CA	15212402	15212402	2
16	Motor Clamp	26112026	26112026	4
17	Drain Pan	0127240802	0127240802	1
18	Secondary Drain Pan	01272409	01272409	1
19	Pipe Clip	70812001	70812001	1
20	Drainage Pipe	2690320401	2690320401	1
21	Handle	26232001	26232001	4
22	Right Side Foam Sub-Assy	12312404	12312404	1
23	Right Fixing Palte	01332404	01332404	1
24	Support of Motor Bearing	01792408	01792408	2
25	Fixer of Motor Support	01792407	01792407	1
26	Right Decoration Panel	26112027	26112027	1
27	Pipe Clamp	01072425	01072425	1
28	Electric Box	01402407	01402407	1
29	Wire Barrel	24253001	24253001	1
30	Wire Clamp	24253002	24253002	1
31	Terminal Board	42011159	42011159	1
32	Fuse 5A 250VAC	46010013	46010013	1
33	Main PCB Z6935	30226903	30226903	1
34	Bearing Gasket	76512404	76512404	2
35	Fan Bearing	76512210	76512210	1
36	Transformer 57×25C	43110237	43110237	1
37	Cover of Electric Box	01412408	01412408	1
38	Centrifugal Fan	10319051	10319051	4
39	Rotary Shaft	73012402	73012402	2
40	Capacitor	33010056	33010056	1
41	Motor	15012404	15012404	1
42	Motor Fixer	01722410	01722410	1
43	Motor Clamp	01702405	01702405	2
44	Joint Slack	73012403	73012403	2
45	Motor Fixing Plate	01332425	01332425	1
46	Front Volute Casing	22202030	22202030	4
47	Rear Volute Casing	22202029	22202029	4

48	Rear Side Plate	01302431	01302431	1
49	Motor Support	01702411	01702411	1
50	Filter	11122013	11122013	1
51	Water Deflector	01362407	01362407	1
52	Front Grill	22412010	22412010	4
53	Front Grill Clip 2	26252003	26252003	8
54	Remote Controller	305125063	305125063	1
55	Evaporator Assy	01024122	01024122	1
56	Front Grill Clip 1	26252002	26252002	8
57	Cover of Evaporator	01072409	01072409	1
58	Left Decoration Panel	26112028	26112028	1
59	Left Fixing Plate	01332405	01332405	1
60	Left Side Foam Sub-Assy	12312403	12312403	1
61	Bearing Fixing Plate	01332406	01332406	1
62	Rear Side Plate of Air Outlet	01302416	01302416	1
63	Connecting Lever	10582008	10582008	2
64	Connecting Lever	10582009	10582009	4
65	Swing Louver	10512027	10512027	26
66	Signal Cable	400103953	400103953	1
67	Display Board Z63351F	30296309	30296309	1
68	EXV Sub-Assy	07334256	07334256	1
69	EXV VPF-25D*B3	07334195	07334195	1
70	Electronic Expansion Valve Coil	43000110	43000110	1
71	Mounting Plate Sub-Assy 2	01324110P	01324110P	1

5.5 Floor and Wall Mounted Type

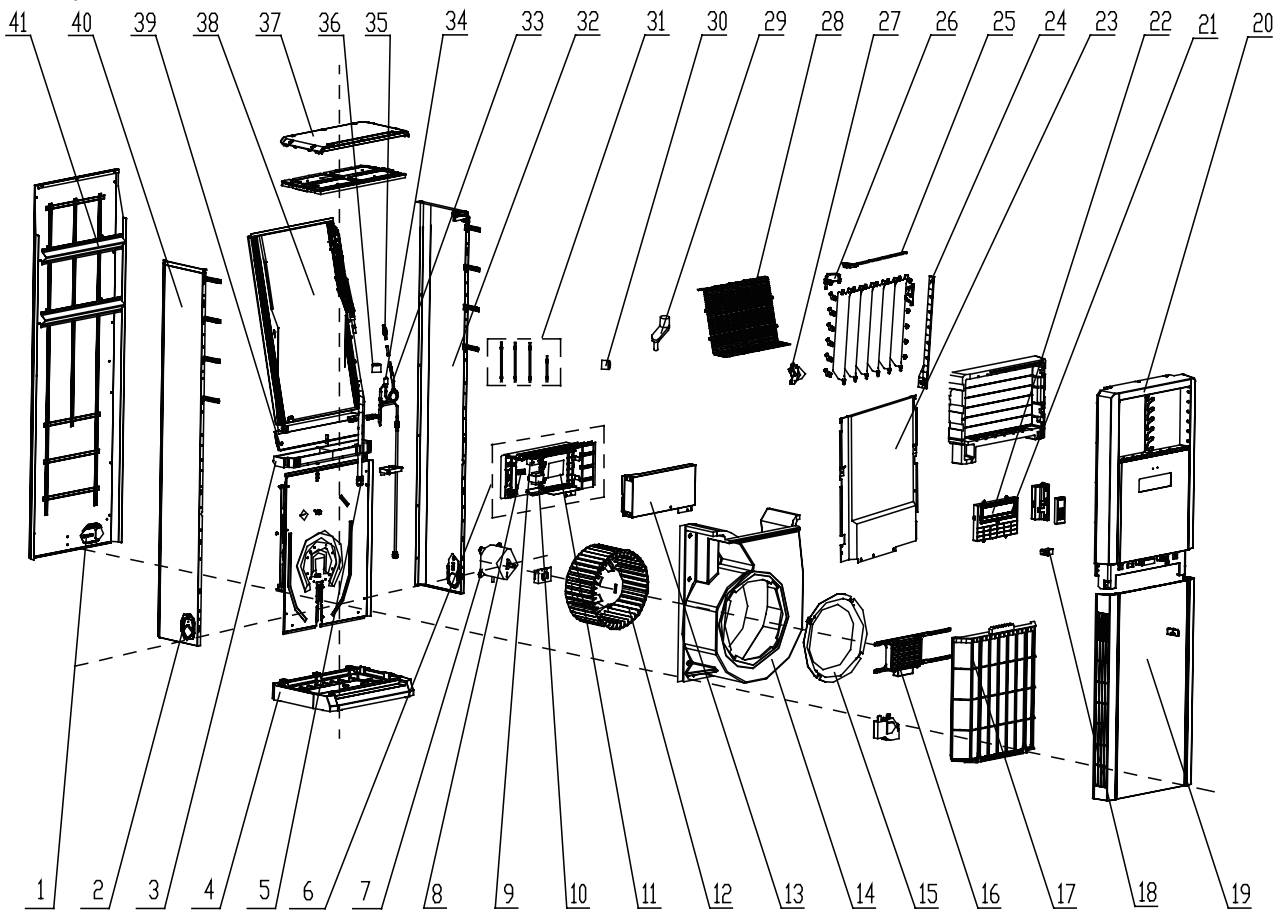
Exploded View of GMV-R28C/Na-K;GMV-R36C/Na-K;GMV-R50C/Na-K.




NO.	Model	GMV-R28C/Na-K	GMV-R36C/Na-K	GMV-R50C/Na-K	Qty.
	Product Code	CM400N0010	CM400N0020	CM400N0060	
	Part Name	Part Code	Part Code	Part Code	
1	Front Panel	20012756	20012756	20012756	1
2	Filter Sub-Assy	11122119	11122119	11122119	1
3	Front Panel Assy	20012601	20012601	20012601	1
4	Evaporator Assy	01024302	01024302	01024302	1
5	Sensor Sub-Assy	39008075G	39008075G	39008075G	1
6	Electronic Expansion Valve	07334282	07334282	07334282	1
7	Centrifugal Fan	10312005	10312005	10312005	1
8	Fan Motor	15012123	15012123	15012123	1
9	Step Motor	1521210805	1521210805	1521210805	1
10	Crankshaft	73012005	73012005	73012005	1
11	Rear Grill	01472024	01472024	01472024	1
12	Switch Board	30118018	30118018	30118018	1
13	Switch Board	30112007	30112007	30112007	1
14	Display Board	30568131	30568131	30568131	1
15	Main Board	30226268	30226268	30226268	1
16	Electric Box Assy	01395162	01395162	01395162	1
17	Swing Assy	10102042	10102042	10102042	1
18	Air Louver (upper)	10512143	10512143	10512143	2
19	Swing Lever	10582096	10582096	10582096	2
20	Shaft of Guide Louver	10542020	10542020	10542020	2
21	Bottom Case Assy	22202462	22202462	22202462	1
22	Drain Pan Assy	20182141	20182141	20182141	1
23	Air Louver (lower)	10512144	10512144	10512144	2
24	Shaft (lower step motor)	10542034	10542034	10542034	1
25	Step Motor	1521210101	1521210101	1521210101	1
26	Electronic Expansion Valve Coil	4304000102	4304000102	4304000102	1
27	StrainerA	07210022	07210022	07210022	1
28	Check Valve	07334200	07334200	07334200	1
29	Remote Controller	30510134	30510134	30510134	1
30	Display Board	30296309	30296309	30296309	1

5.6 Floor Standing Type

Exploded View of GMV-R71L/Na-K,GMV-R100L/Na-K,GMV-R140L/Na-K.



NO.	Model	GMV-R71L/Na-K	GMV-R100L/Na-K	GMV-R140L/Na-K	Qty.
	Product Code	CM300N0010	CM300N0020	CM300N0030	
	Part Name	Part Code	Part Code	Part Code	
1	Rear Cover	2224422101	2224422101	2224422101	3
2	Baffle Plate	2611408801	2611408801	2611408801	3
3	Drain Pan Sub-Assy	20184022	12314811	12314811	1
4	Chassis	22224021	22224020	22224020	1
5	Drainage Pipe Sub-Assy	05235434	05235434	05235434	1
6	Electric Box Assy	01395128	02404120	02404121	1
7	Fan Motor	15014217	1501442405	1501442404	1
8	Terminal Board	42011106	42011106	42011106	1
9	Capacitor CBB61	33010012	33010037	33010037	1
10	Transformer	43110287	43110287	43110287	1
11	Main Board	30226345	30226345	30226345	1
12	Centrifugal Fan	10314001	10314401	10314401	1
13	Electric Box Cover Sub-Assy	01404455	01404388	01404388	1
14	Propeller Housing Sub-Assy	1210420101	12104058	12104058	1
15	Deflector	10374003	10374435	10374435	1
16	Protective Covering	/	01474027	01474027	1
17	Filter Sub-Assy	11124105	11124100	11124100	1
18	Latch	70811002	70810302	70810302	1
19	Air Intake Panel Assy	20004524	20004536	20004536	1
20	Air Outlet Panel Sub-Assy	2000452103	2000453502	2000453502	1
21	Press Button	45034088D	45034088D	45034088D	1
22	Display Board	30296111	30296111	30296111	1
23	Air Guard Assy	01364183	01364509	01364174	1
24	Connection Rod	10584088	10584089	10584089	1
25	Swing Lever	10584218	10584218	10584218	1
26	Step Motor	1521400801	1521400801	1521400801	1
27	Step Motor	1521421102	1521421102	1521421102	1
28	Rear Grill	/	01474034	/	1
29	Crankshaft 1	10564204	10564204	10564204	1
30	Magnetic Ring	49010104	49010104	49010104	1
31	Sensor Sub-Assy	39008067	39008067	39008067	1
32	Right Side Plate Sub-Assy	0130412903	0130430301	0130430301	1
33	Check Valve	07138788	7138788	07138788	1
34	Electronic Expansion Valve	07334284	07330001	07330001	1
35	Filter	07212001	07212001	07212001	2
36	Electronic Expansion Valve Coil	43040001	43040001	43040001	1
37	Top Cover Sub-Assy	22244106	22244152	22244152	1
38	Evaporator Assy	01024280	01024286	01024287	1
39	Baffle Plate Sub-Assy	26114118	01364154D	01364154D	1
40	Left Side Plate Sub-Assy	0130412803	0130430401	0130430401	1
41	Rear Plate Assy	01304134	01304290	01304290	1



JF00301272

GREE ELECTRIC APPLIANCES, INC. OF ZHUHAI

Add: West Jinji Rd, Qianshan, Zhuhai, Guangdong, China, 519070

Tel: (+86-756) 8522218 Fax: (+86-756) 8669426

E-mail: gree@gree.com.cn www.gree.com

For continuous improvement in the products, Gree reserves the right to modify the product specification and appearance in this manual without notice and without incurring any obligations.